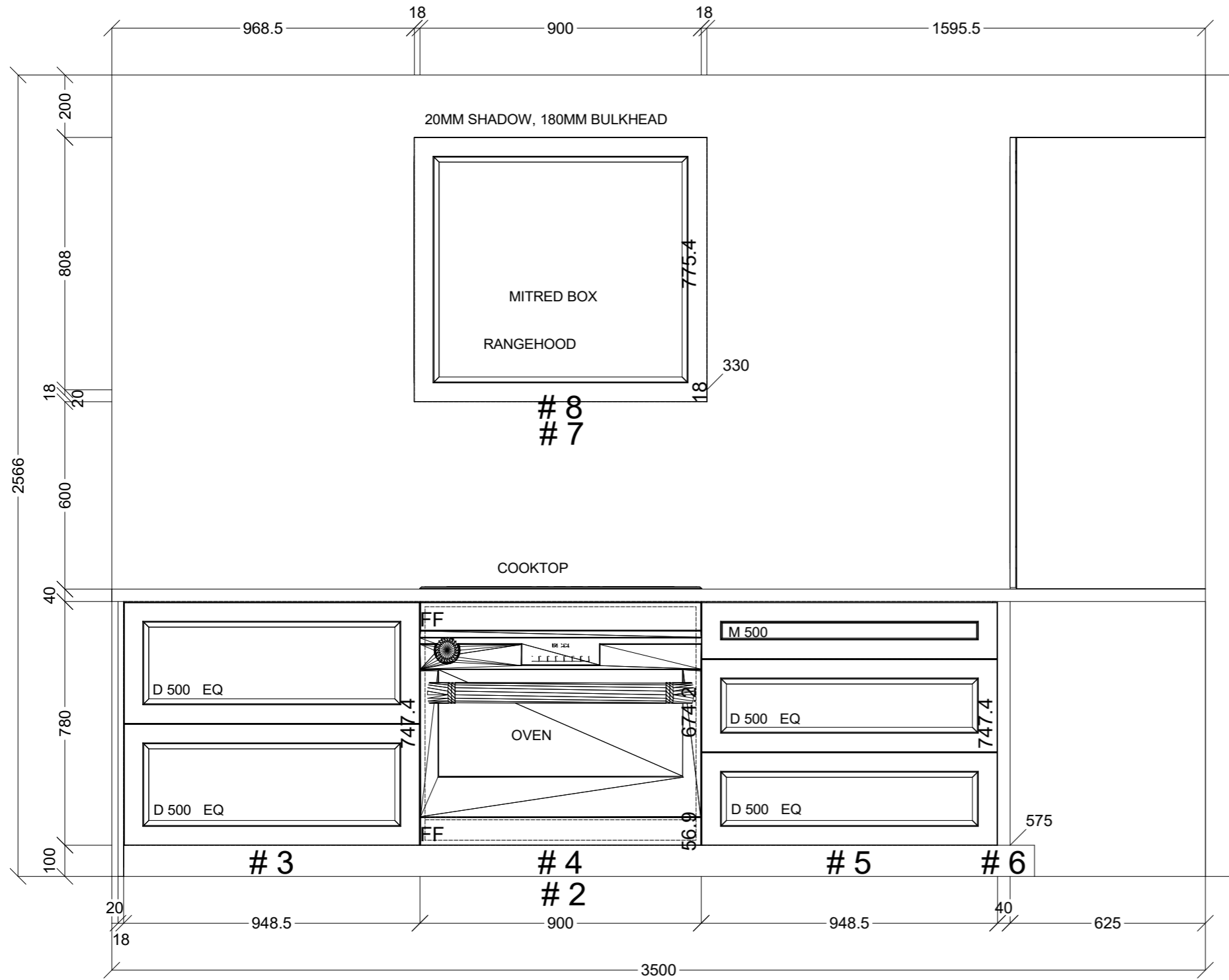
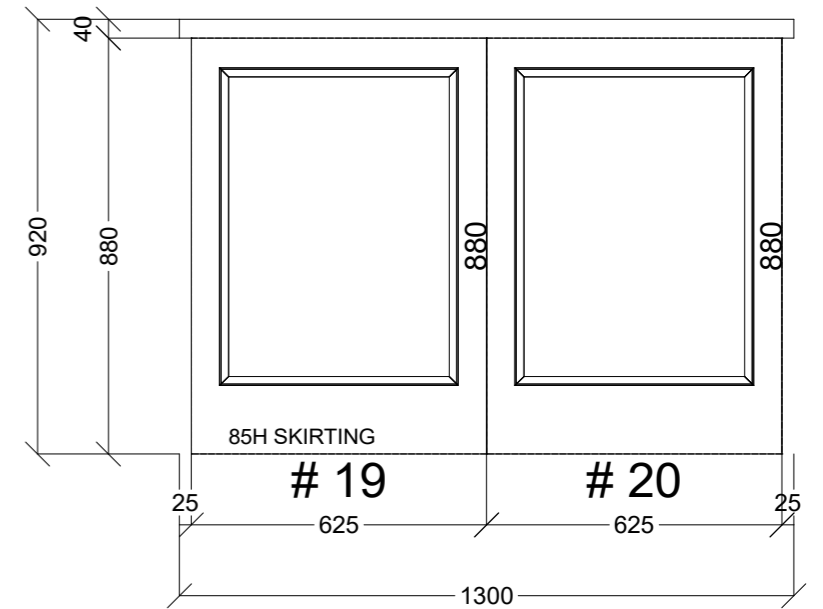


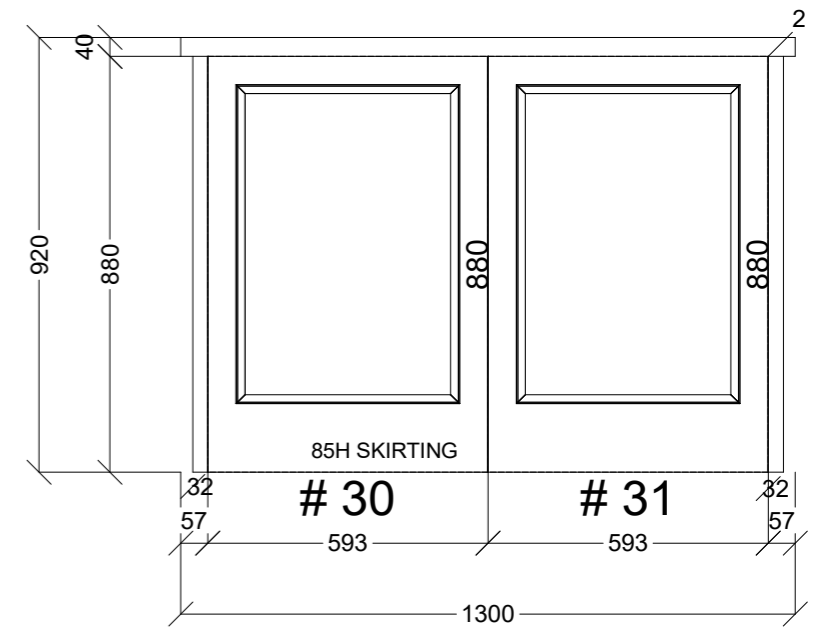
Client: ANDREW JUDD	Door and panels style/colour: 2PAC DX NATURAL WHITE SATIN SHAKER 45' 3MM DEEP			Sheet 1 of 5
Room: KITCHEN	Benchtop Colour: 40MM AC STONE NATURAL PLUSS	Drawer slides: BLUM ANTARO		Carcass: WHITE HMR
Date: 15/04/25	Address: 1 ALLEN ST HAWTHORN	Handles Item No: BRUSHED BRASS	Approved by:	



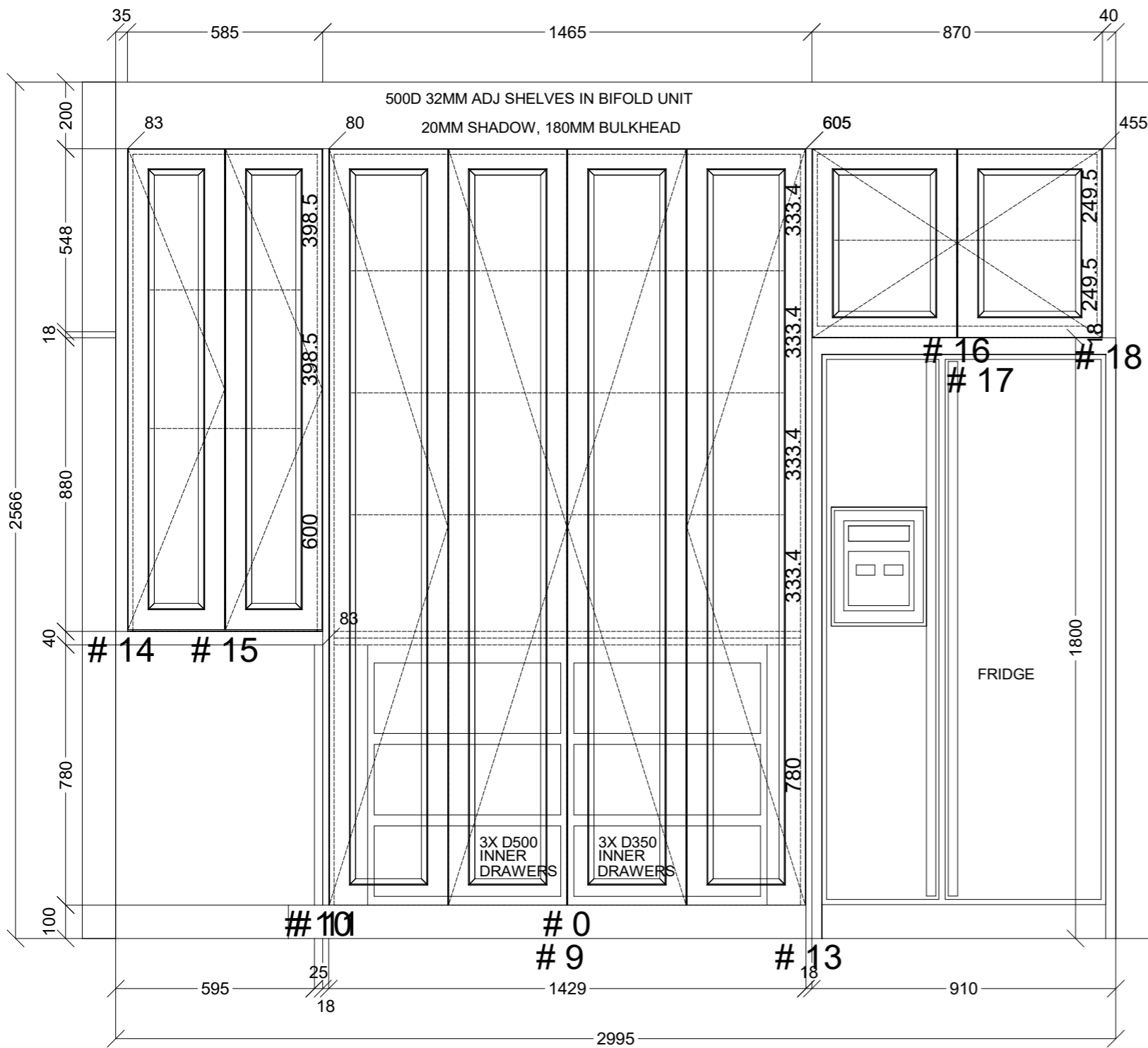
### ISLAND FRIDGE END



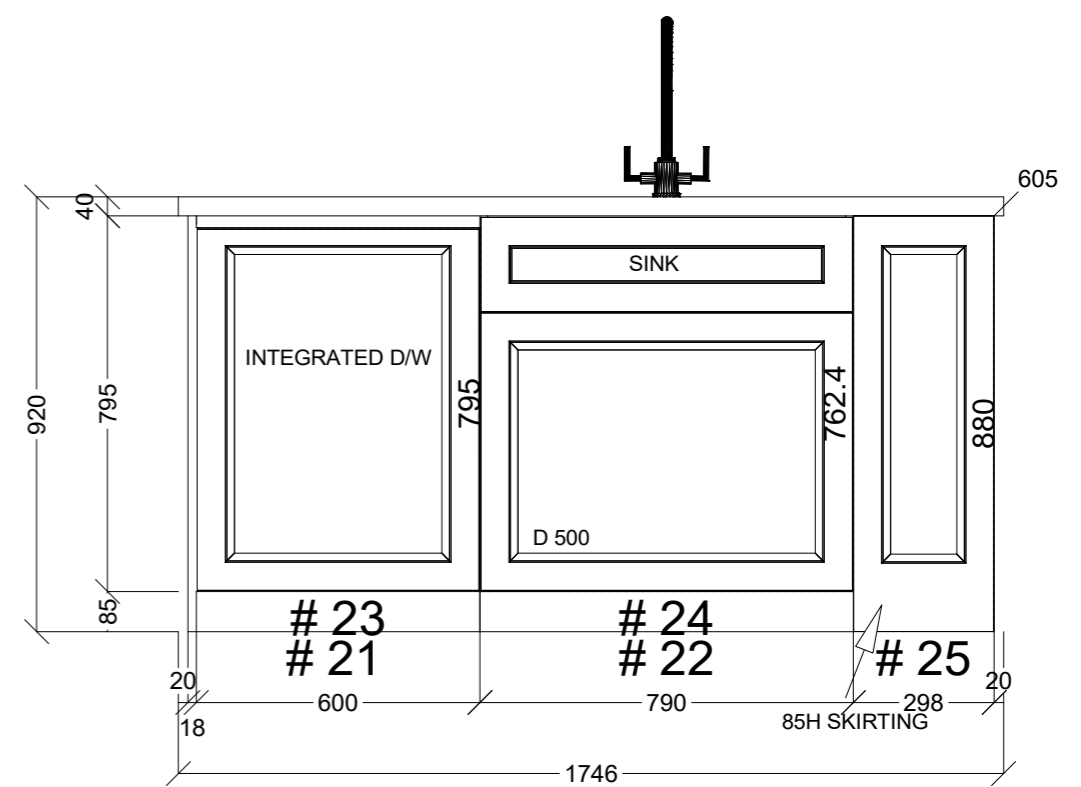
### ISLAND BAR END



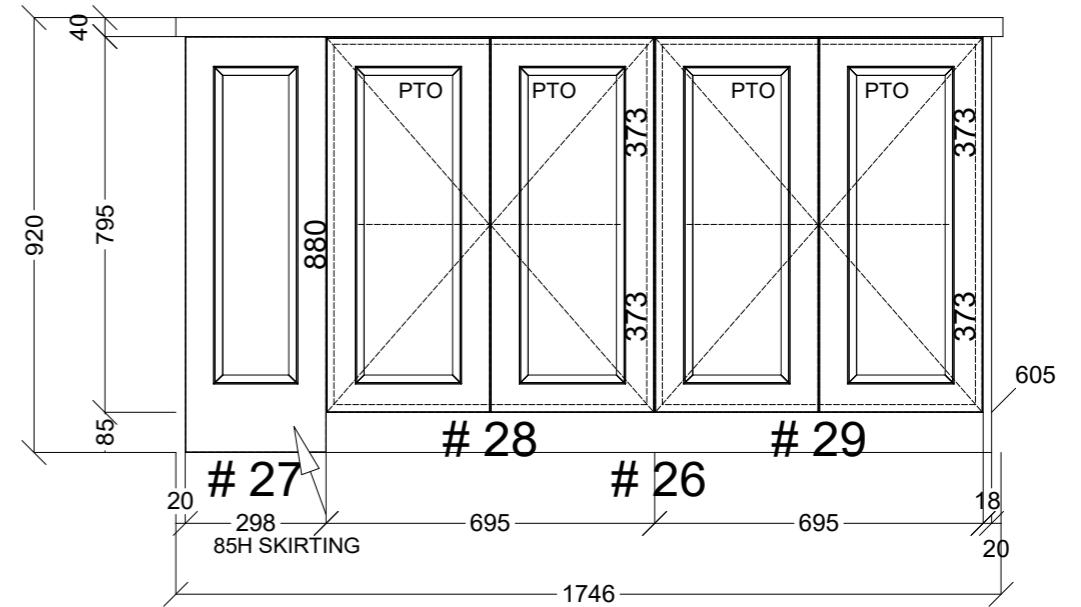
	Client: ANDREW JUDD		Door and panels style/colour: 2PAC DX NATURAL WHITE SATIN SHAKER 45' 3MM DEEP		Sheet 2 of 5
	Room: KITCHEN	Benchtop Colour: 40MM AC STONE NATURAL PLUSS		Drawer slides: BLUM ANTARO	Carcass: WHITE HMR
	Date: 15/04/25	Address: 1 ALLEN ST HAWTHORN	Handles Item No: BRUSHED BRASS		Approved by:



### ISLAND FRONT




### ISLAND REAR




	Client: ANDREW JUDD		Door and panels style/colour: 2PAC DX NATURAL WHITE SATIN SHAKER 45' 3MM DEEP		Sheet 3 of 5
	Room: KITCHEN	Benchtop Colour: 40MM AC STONE NATURAL PLUSS	Drawer slides: BLUM ANTARO		Carcass: WHITE HMR
	Date: 15/04/25	Address: 1 ALLEN ST HAWTHORN	Handles Item No: BRUSHED BRASS		Approved by:



	Client: ANDREW JUDD	Door and panels style/colour: 2PAC DX NATURAL WHITE SATIN SHAKER 45' 3MM DEEP		Sheet 4 of 5
Room: KITCHEN	Benchtop Colour: 40MM AC STONE NATURAL PLUSS	Drawer slides: BLUM ANTARO		Carcass: WHITE HMR
Date: 15/04/25	Address: 1 ALLEN ST HAWTHORN	Handles Item No: BRUSHED BRASS		Approved by:



	Client: ANDREW JUDD		Door and panels style/colour: 2PAC DX NATURAL WHITE SATIN SHAKER 45' 3MM DEEP		Sheet 5 of 5
	Room: KITCHEN	Benchtop Colour: 40MM AC STONE NATURAL PLUS		Drawer slides: BLUM ANTARO	Carcass: WHITE HMR
	Date: 15/04/25	Address: 1 ALLEN ST HAWTHORN		Handles Item No: BRUSHED BRASS	Approved by: