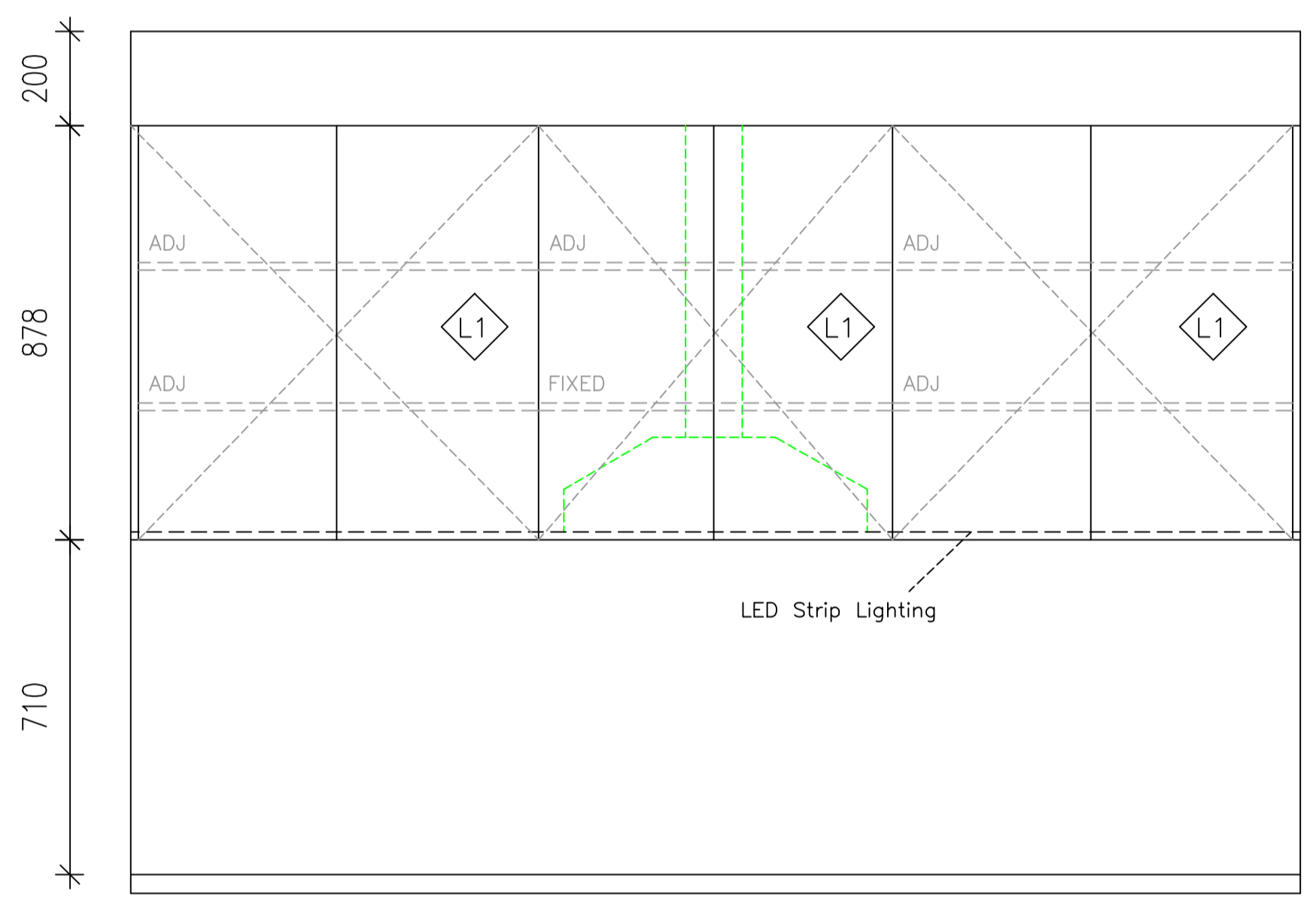
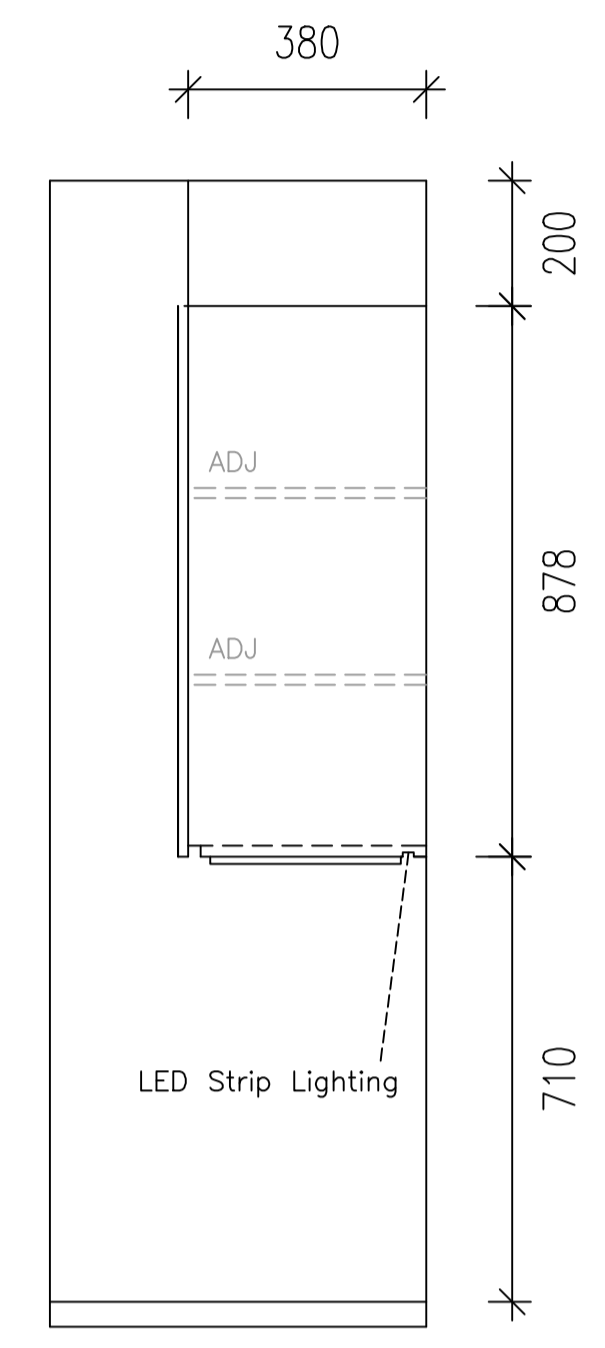
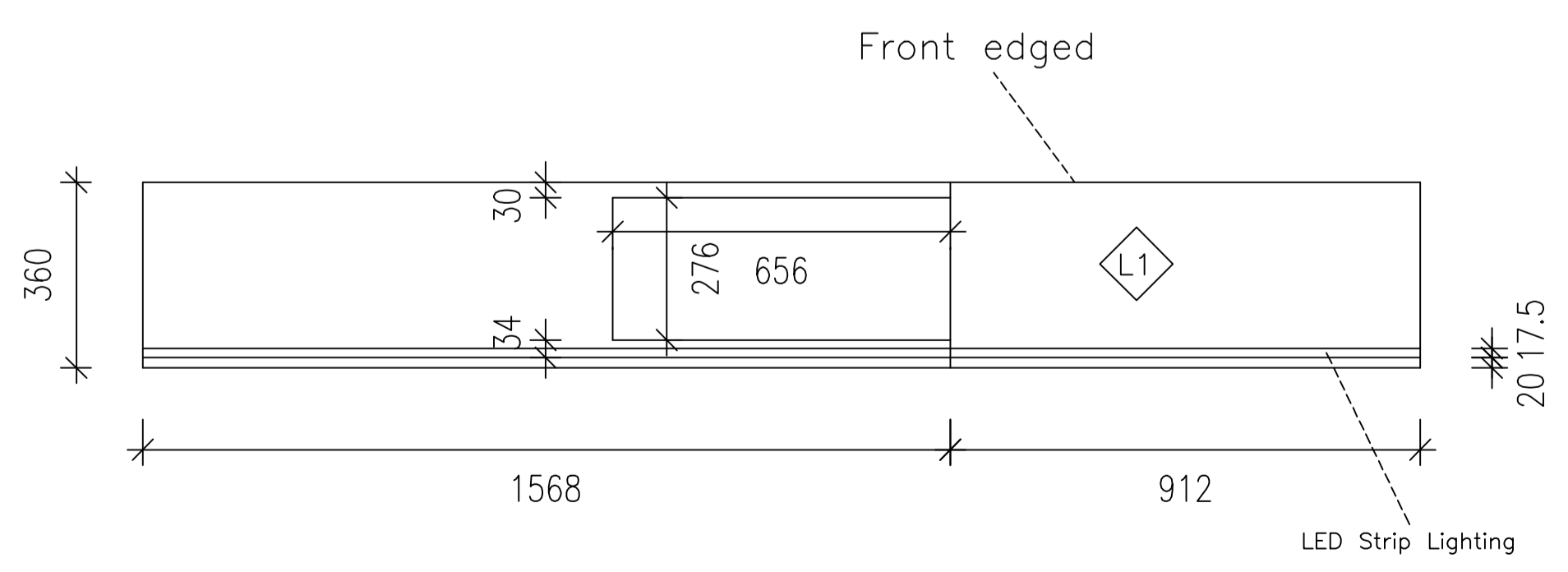


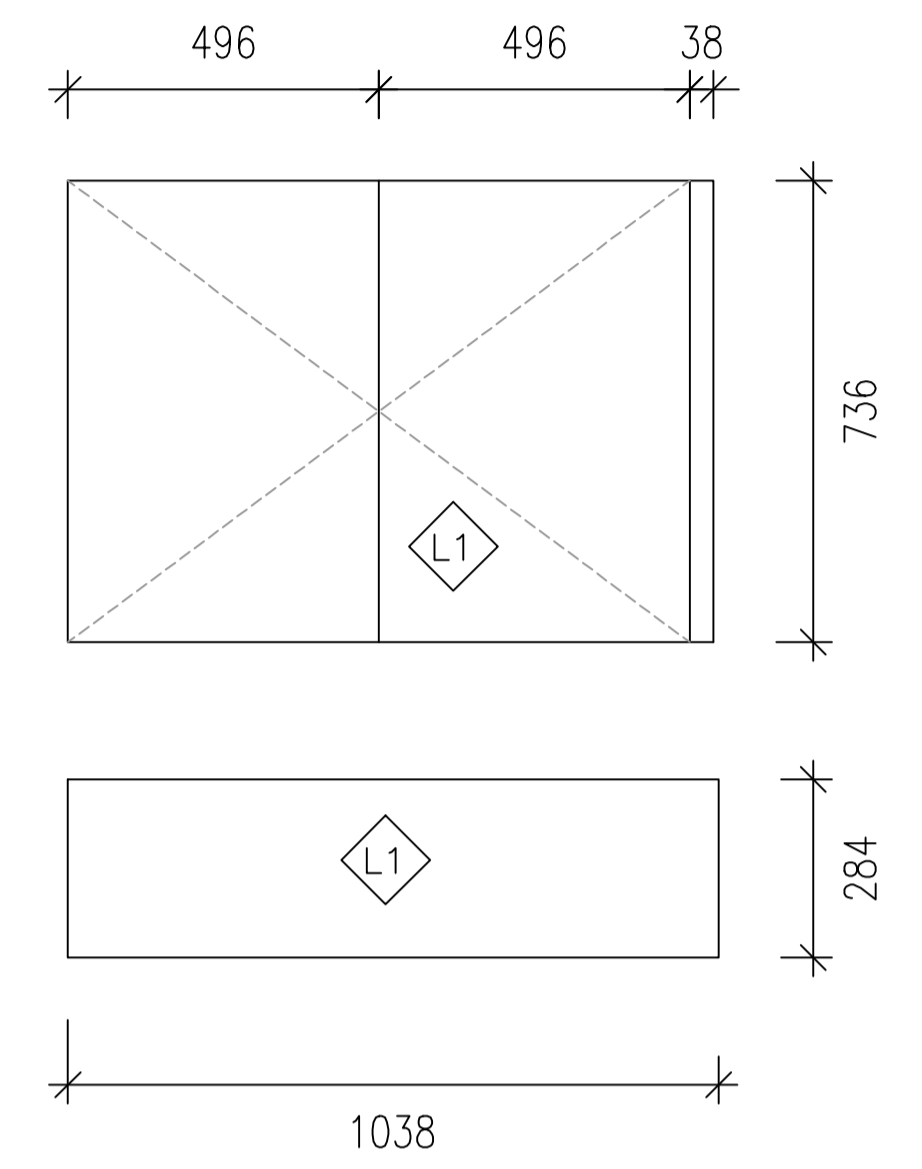
PLAN VIEW
NEW OVERHEAD CABINETS



ELEVATION



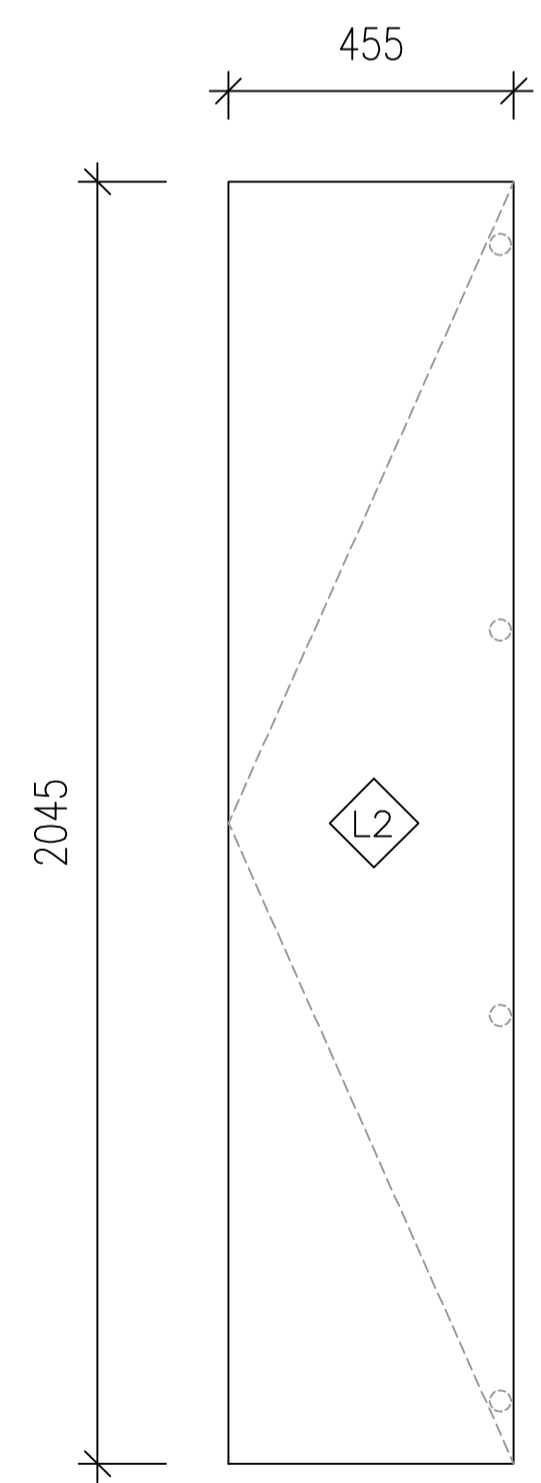
SECTION THROUGH



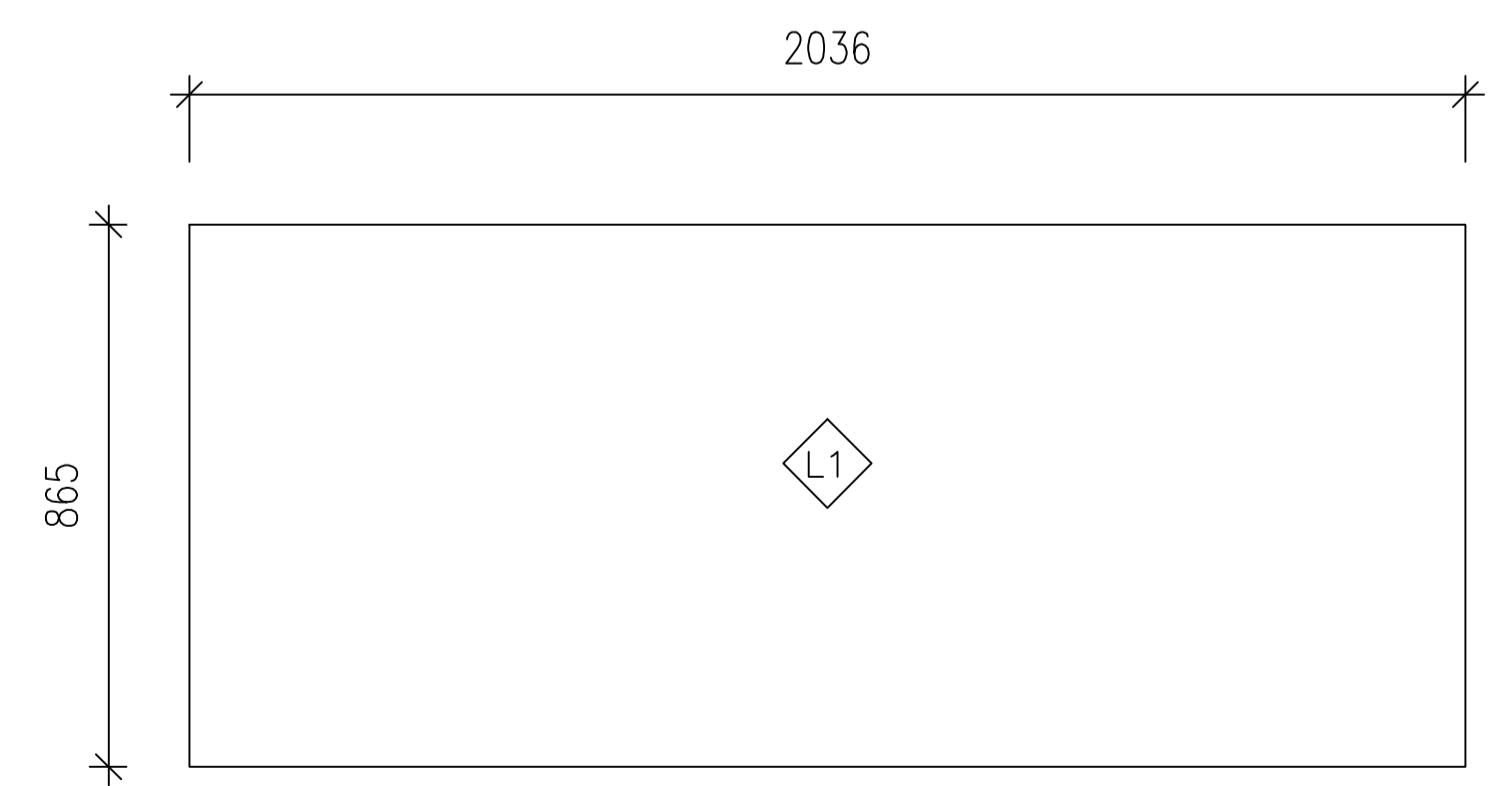
NEW CABINET DOORS AND UNDER PANEL

FINISHES

- ◊ L1 16mm POLYTEC CINDER MATT
- ◊ L2 16mm POLYTEC HUSK MATT



NEW PANTRY DOOR



NEW ISLAND PANEL

JO'S MAKEOVERS



PROJECT: 2A ARGYLE AVE FRANKSTON

Drawing Title : KITCHEN RENOVATION
Date: 01/05/2025
Drawing No. A1
Revision : A
Drawn: AC

PLANS INSPECTED AND APPROVED FOR CONSTRUCTION
NAME _____
SIGNED _____
DATED / /