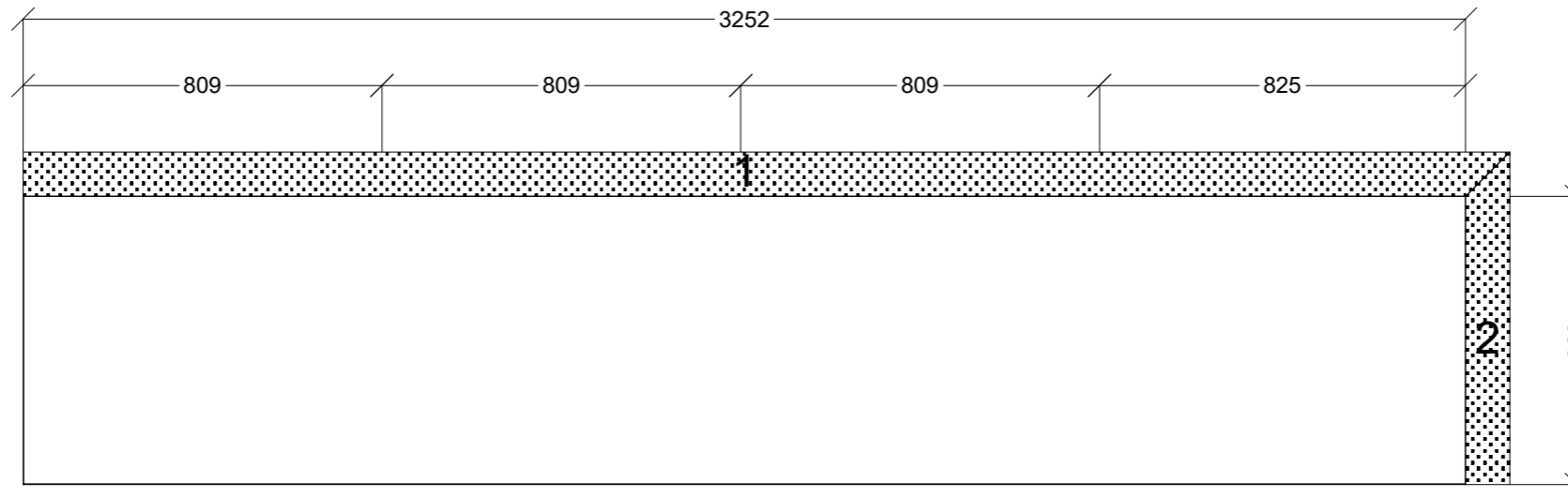
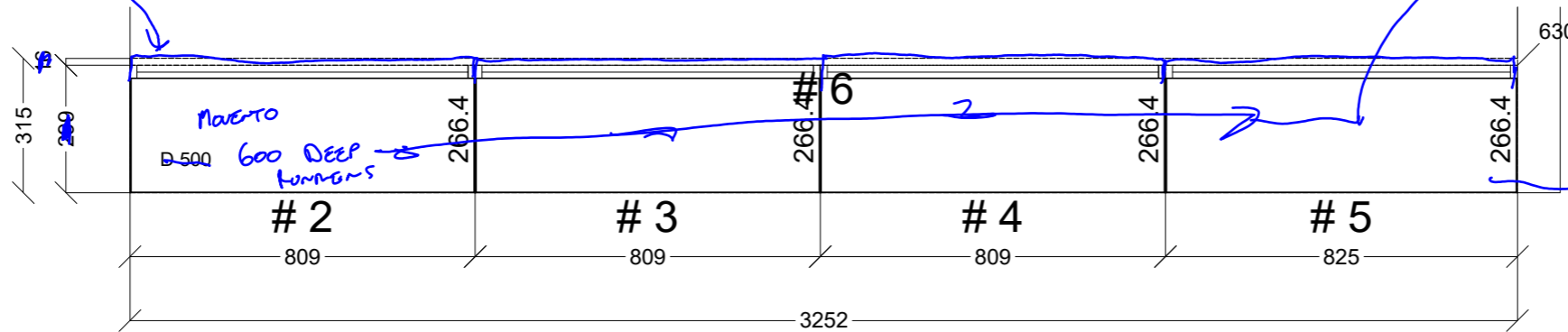
	Client: ALICIA		Door and panels style/colour: WHITE HMR		Sheet 1 of 3
	Room: ROBE	Benchtop Colour: N/A		Drawer slides: N/A	Carcass: WHITE HMR
	Date: 22/04/25	Address: 86 BANFIELD ST SANDRINGHAM		Handles Item No: N/A	Approved by:

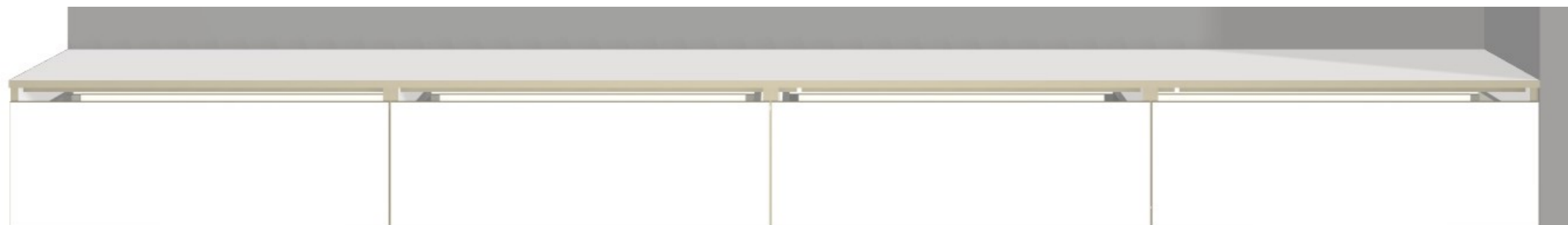


Remove Top.
CARCASS HEIGHT IS
315mm FILE TOPS
ON CARCASSES

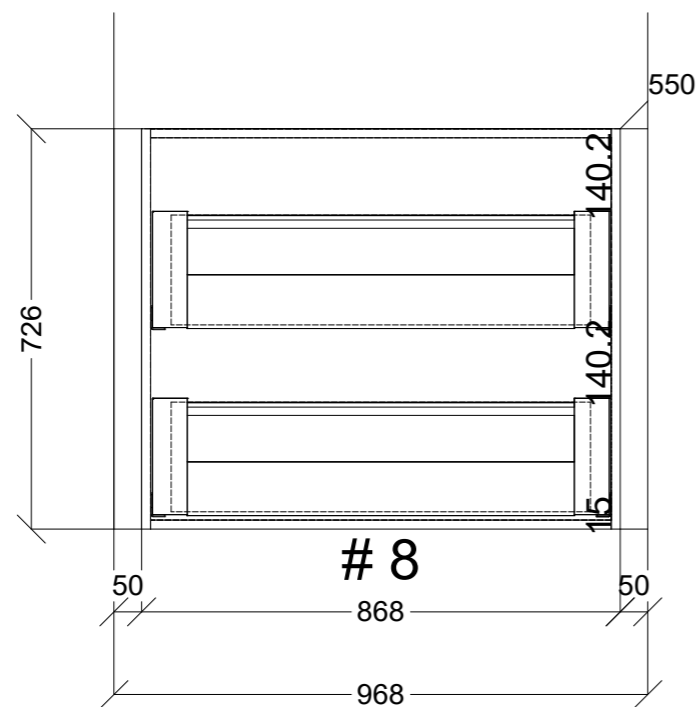
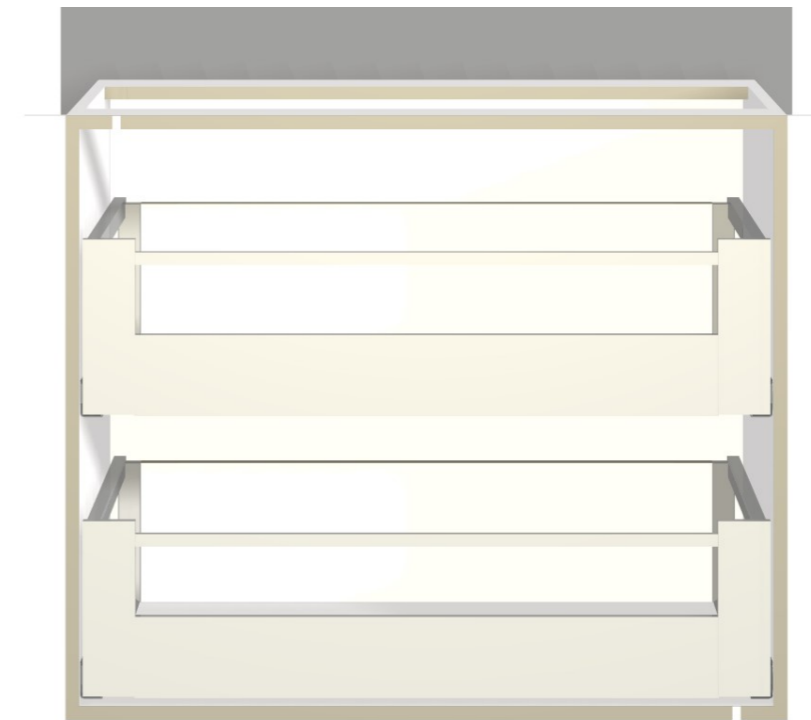
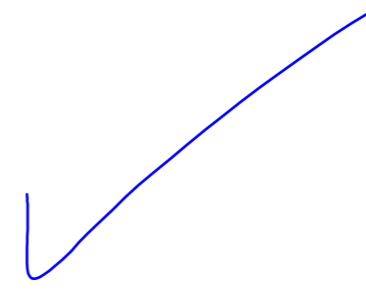
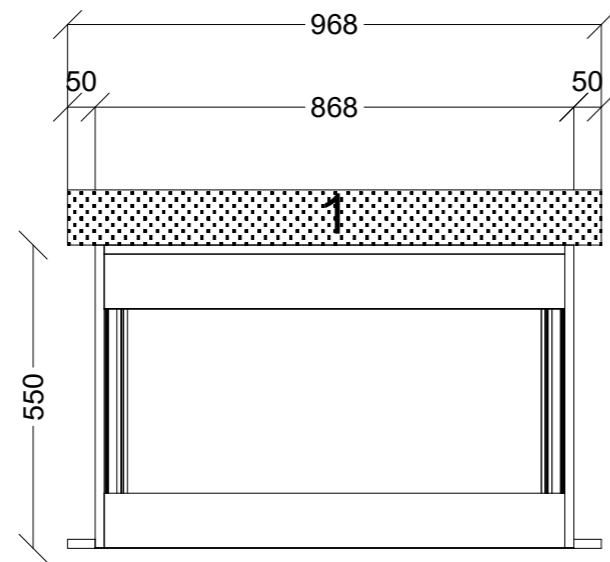
MAXIMISE DRAWER
BOT HEIGHTS
AS MUCH AS
POSSIBLE!




FILE
HEIGHT
FRONT'S
ON ALL



	Client: ALICIA		Door and panels style/colour: WHITE HMR		Sheet 2 of 3
	Room: DRAWERS	Benchtop Colour: WHITE HMR		Drawer slides: BLUMANTARO Movento <small>CARCASS / 600mm Box</small>	Carcass: WHITE HMR
	Date: 22/04/25	Address: 86 BANFIELD ST SANDRINGHAM	Handles Item No: FINGER GAP BY CUSTOMER		Approved by:



	Client: ALICIA		Door and panels style/colour: WHITE HMR		Sheet 3 of 3
	Room: INNER DRAWERS	Benchtop Colour: N/A		Drawer slides: BLUM ANTARO	Carcass: WHITE HMR
	Date: 22/04/25	Address: 86 BANFIELD ST SANDRINGHAM	Handles Item No: N/A		Approved by: