

DET. 01  
BENCHTOP FLUSH W/ DOORS  
 SCALE: N.T.S

**AI** TV UNIT OPTION 3  
 Scale: NTS

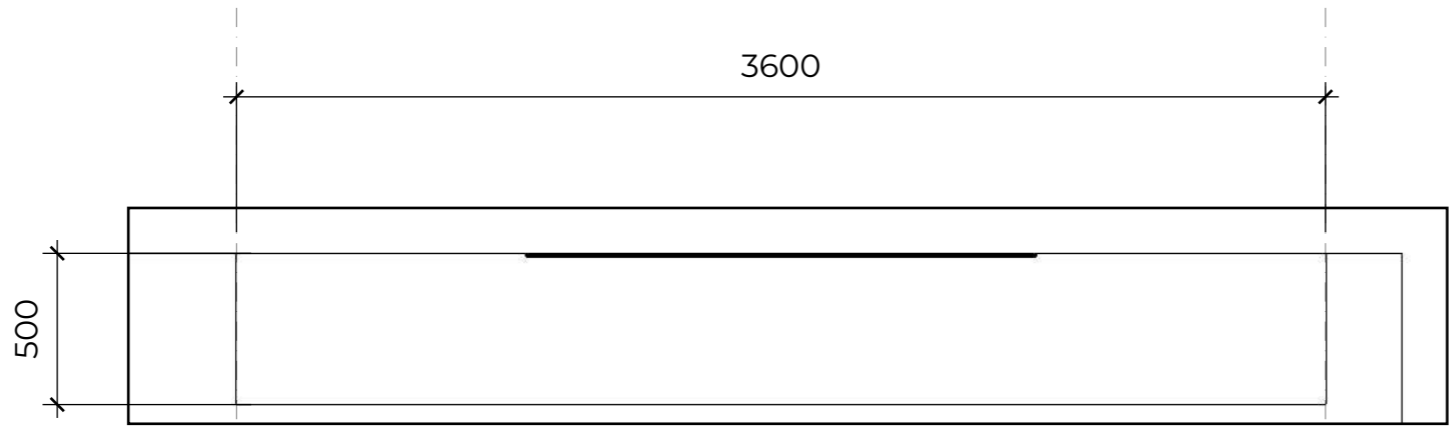


DESIGNED BY  
**SHAI ZEEV**  
 ABN: 47 640 715 279  
 6b Larman St, Bentleigh East 3165  
 Mob: 0407004576  
 E-mail: sales@thecabinetmerchant.com.au

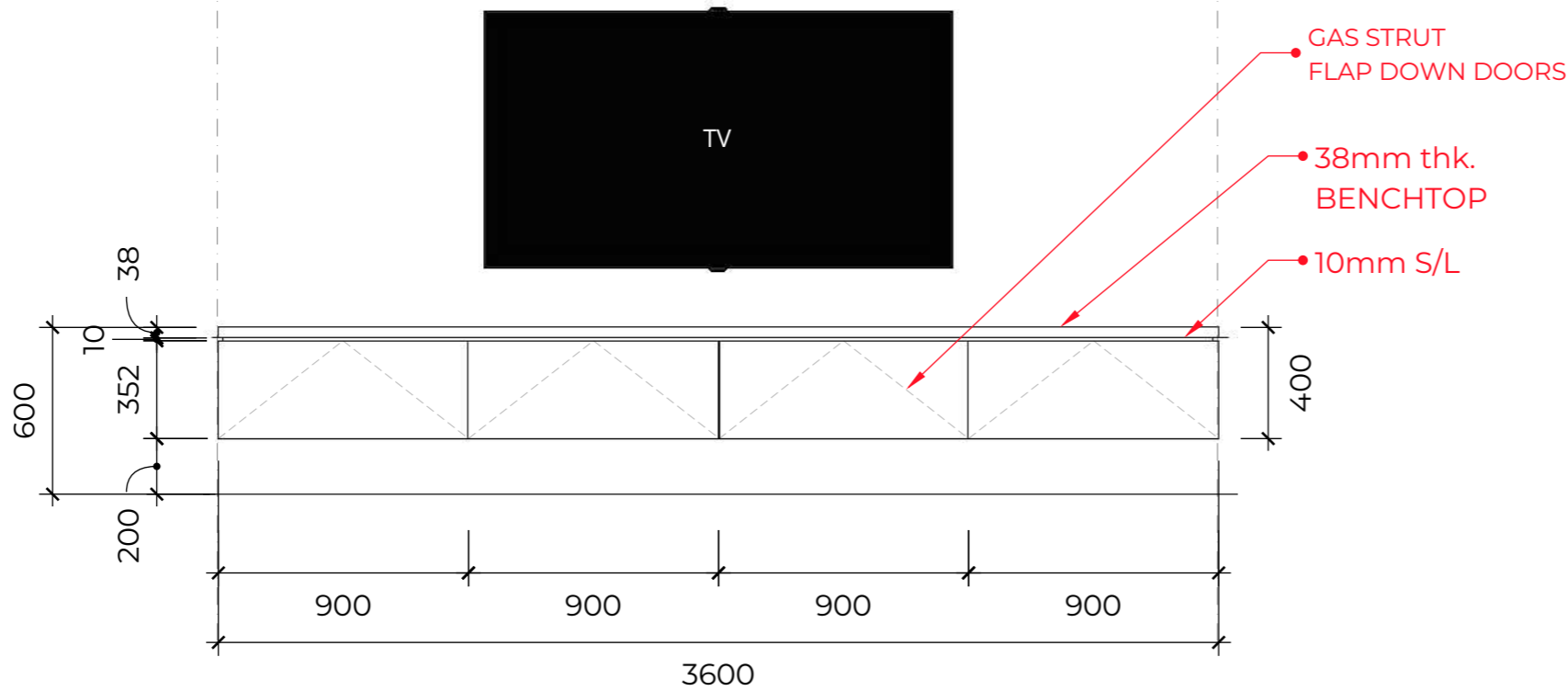
PROJECT TITLE  
**TV UNIT**

CLIENT ADDRESS

CLIENT NAME



**A** :: TV UNIT PLAN  
001 scale: 1=25mm



**A** :: TV UNIT FRONT ELEV.  
001 scale: 1=25mm

**MATERIALS**  
CARCASE & DOORS-  
16mm HMR MELAMINE WHITE.

**FINISHES**  
P1 - MELAMINE WHITE  
TEXTURED FINISH  
DOORS & CARCASE  
2pac

**FIXTURES**  
JH1 -  
JF1 - GAS STRUT FOR  
FLAP DOWN DOORS

**DOOR PROFILE NOTES:**  
WHITE MELAMINE COATED  
FLAT DOORS 2pac

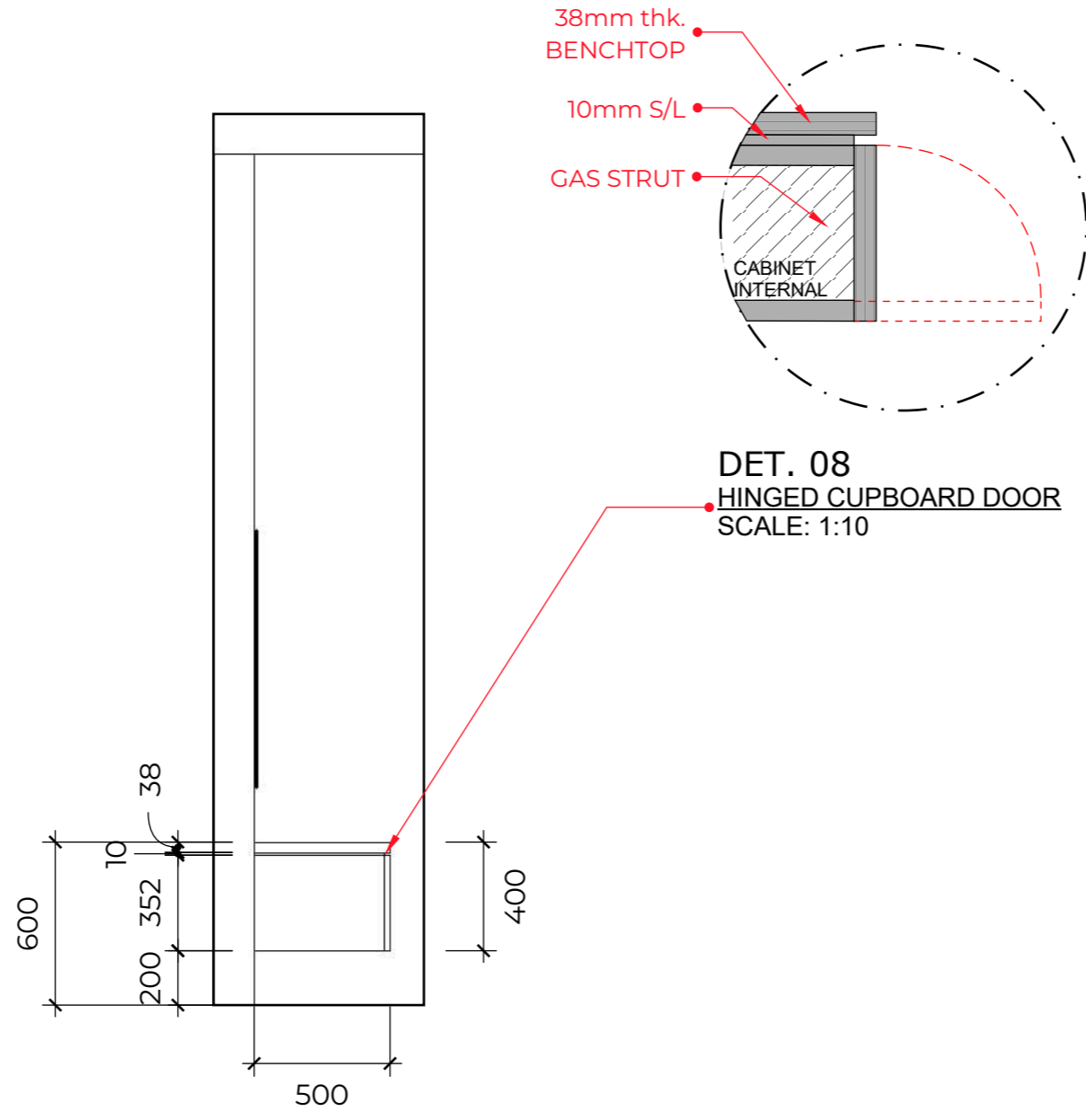
**OTHER NOTES:**  
EXACT PLACEMENT OF  
JOINERY KNOBS  
& HANDLES TO BE  
CONFIRMED ON SITE  
BY DESIGNER PRIOR TO  
INSTALLATION.

DESIGNED BY  
SHAI ZEEV  
ABN: 47 640 715 279  
6b Larman St, Bentleigh East 3165  
Mob: 0407004576  
E-mail: sales@thecabinetmerchant.com.au

PROJECT TITLE  
TV UNIT

CLIENT ADDRESS

CLIENT NAME



**A** :: TV UNIT SECTION  
 001 scale: 1=25mm

**MATERIALS**  
 CARCASE & DOORS-  
 16mm HMR MELAMINE WHITE.

**FINISHES**  
 P1 - MELAMINE WHITE  
 TEXTURED FINISH  
 DOORS & CARCASE  
 2pac

**FIXTURES**  
 JH1 -  
 JF1 - GAS STRUT FOR  
 FLAP DOWN DOORS

**DOOR PROFILE NOTES:**  
 WHITE MELAMINE COATED  
 FLAT DOORS  
 2pac

**OTHER NOTES:**  
 EXACT PLACEMENT OF  
 JOINERY KNOBS  
 & HANDLES TO BE  
 CONFIRMED ON SITE  
 BY DESIGNER PRIOR TO  
 INSTALLATION.

DESIGNED BY  
 SHAI ZEEV  
 ABN: 47 640 715 279  
 6b Larman St, Bentleigh East 3165  
 Mob: 0407004576  
 E-mail: sales@thecabinetmerchant.com.au

PROJECT TITLE  
 TV UNIT

CLIENT ADDRESS

CLIENT NAME