

KITCHEN ISLAND

DESIGN DOCUMENTATION



PROJECT LOCATION:

CLIENT:

THE
CABINET
M E R C H A N T

TABLE OF CONTENTS

KITCHEN ISLAND OPTION 1

- PAGE/S 1-2 - PERSPECTIVE
- PAGE/S 3 - PRODUCTION DRAWINGS

KITCHEN ISLAND OPTION 2

- PAGE/S 4-5 - PERSPECTIVE
- PAGE/S 6 - PRODUCTION DRAWINGS



DESIGNED BY
SHAI ZEEV
ABN: 47 640 715 279
6b Larman St, Bentleigh East 3165
Mob: 0407004576
E-mail: sales@thecabinetmerchant.com.au

PROJECT TITLE
TV UNIT

CLIENT ADDRESS

CLIENT NAME

THE
CABINET
M E R C H A N T

ISLAND OPTION 1 (30mm S/L)



AI ISLAND PERSPECTIVE 1
Scale: NTS



ISLAND PERSPECTIVE 2
Scale: NTS AI

DESIGNED BY
SHAI ZEEV
ABN: 47 640 715 279
6b Larman St, Bentleigh East 3165
Mob: 0407004576
E-mail: sales@thecabinetmerchant.com.au

PROJECT TITLE
TV UNIT

CLIENT ADDRESS

CLIENT NAME



AI ISLAND PERSPECTIVE 3
Scale: NTS



ISLAND PERSPECTIVE 4
Scale: NTS AI

DESIGNED BY
SHAI ZEEV
ABN: 47 640 715 279
6b Larman St, Bentleigh East 3165
Mob: 0407004576
E-mail: sales@thecabinetmerchant.com.au

PROJECT TITLE
TV UNIT

CLIENT ADDRESS

CLIENT NAME

THE
CABINET
MERCHANT



AI SHADOWLINE PERSPECTIVE 1
Scale: NTS

AI SHADOWLINE PERSPECTIVE 2
Scale: NTS

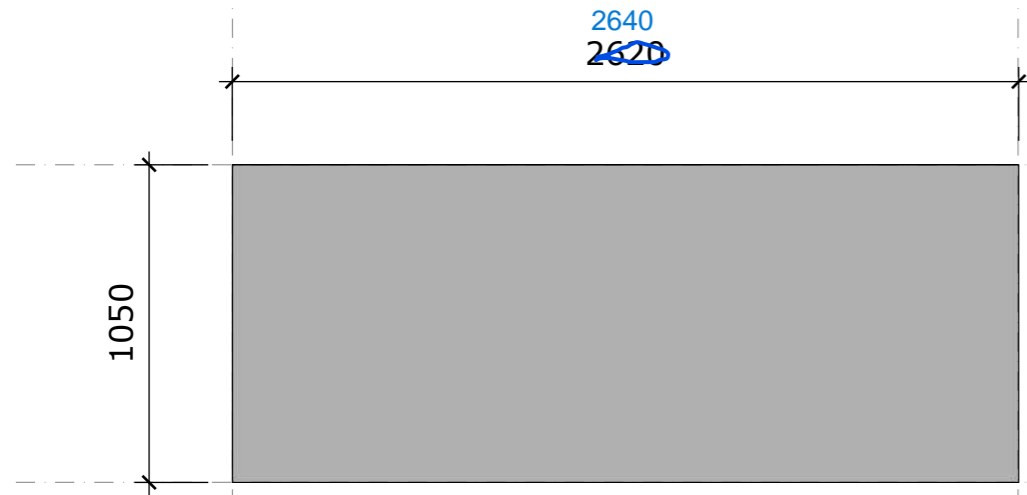
DESIGNED BY
SHAI ZEEV
ABN: 47 640 715 279
6b Larman St, Bentleigh East 3165
Mob: 0407004576
E-mail: sales@thecabinetmerchant.com.au

PROJECT TITLE
TV UNIT

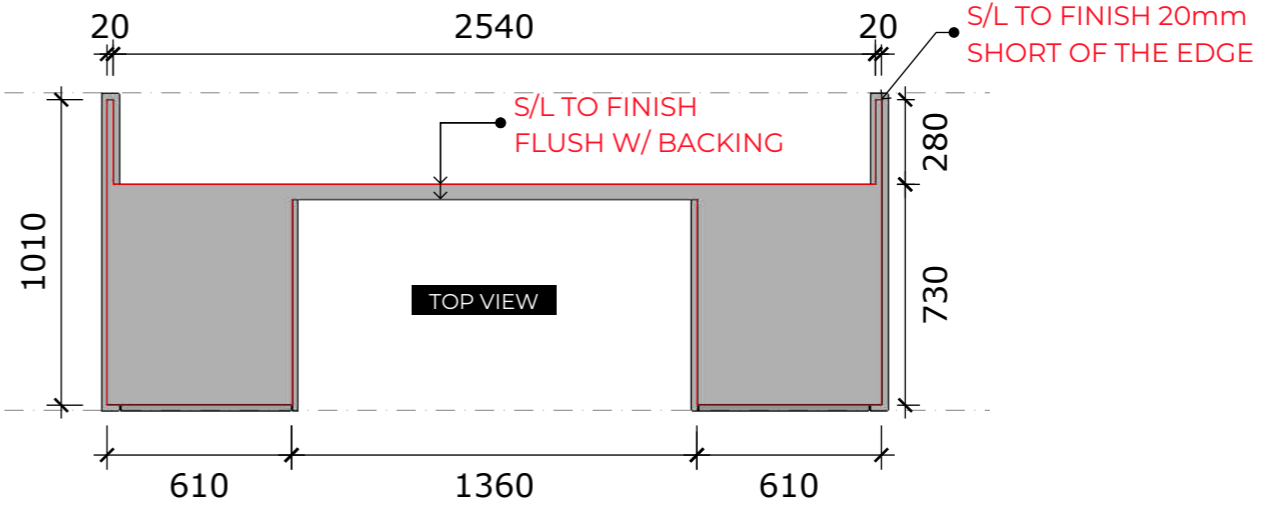
CLIENT ADDRESS

CLIENT NAME

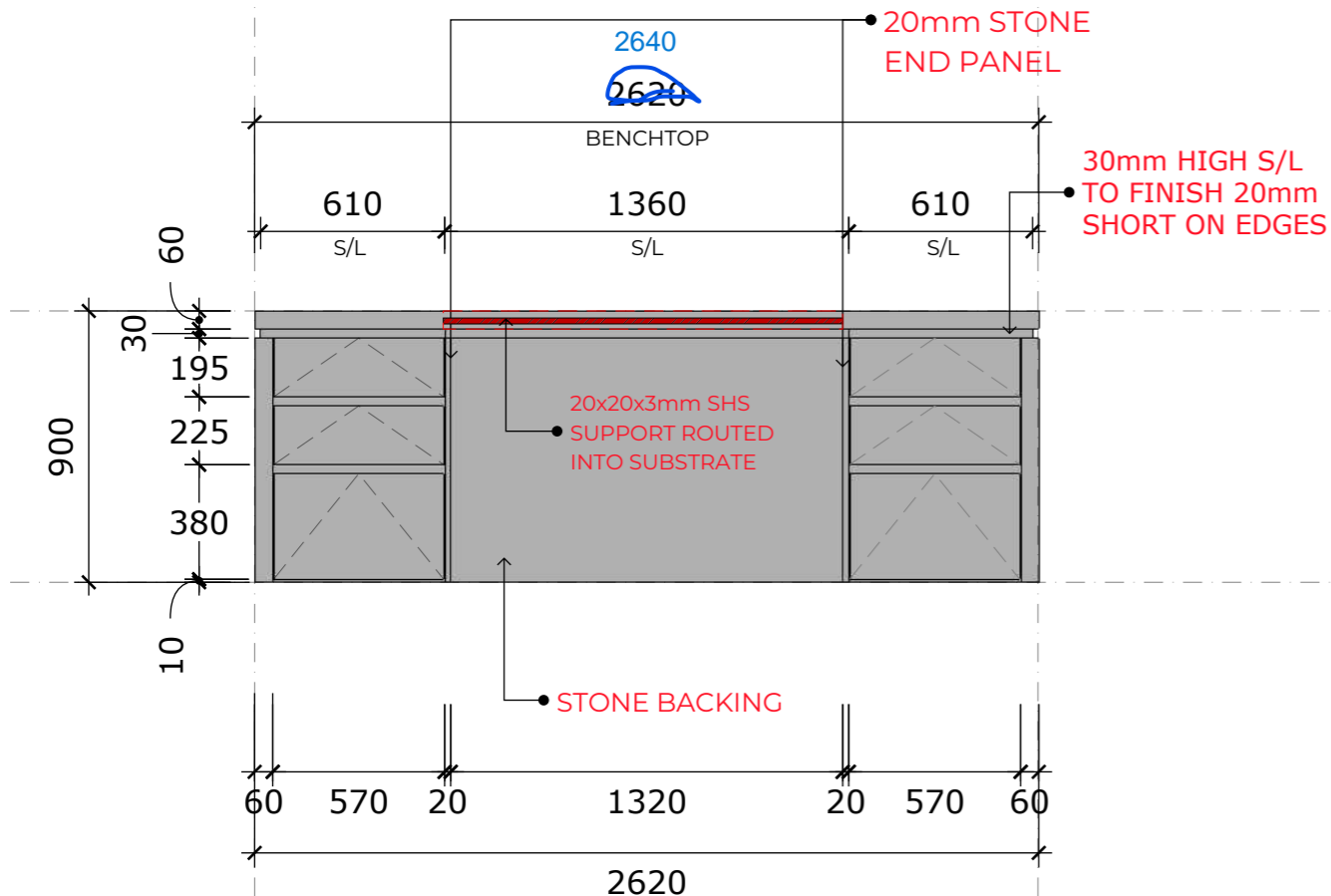
THE
CABINET
M E R C H A N T



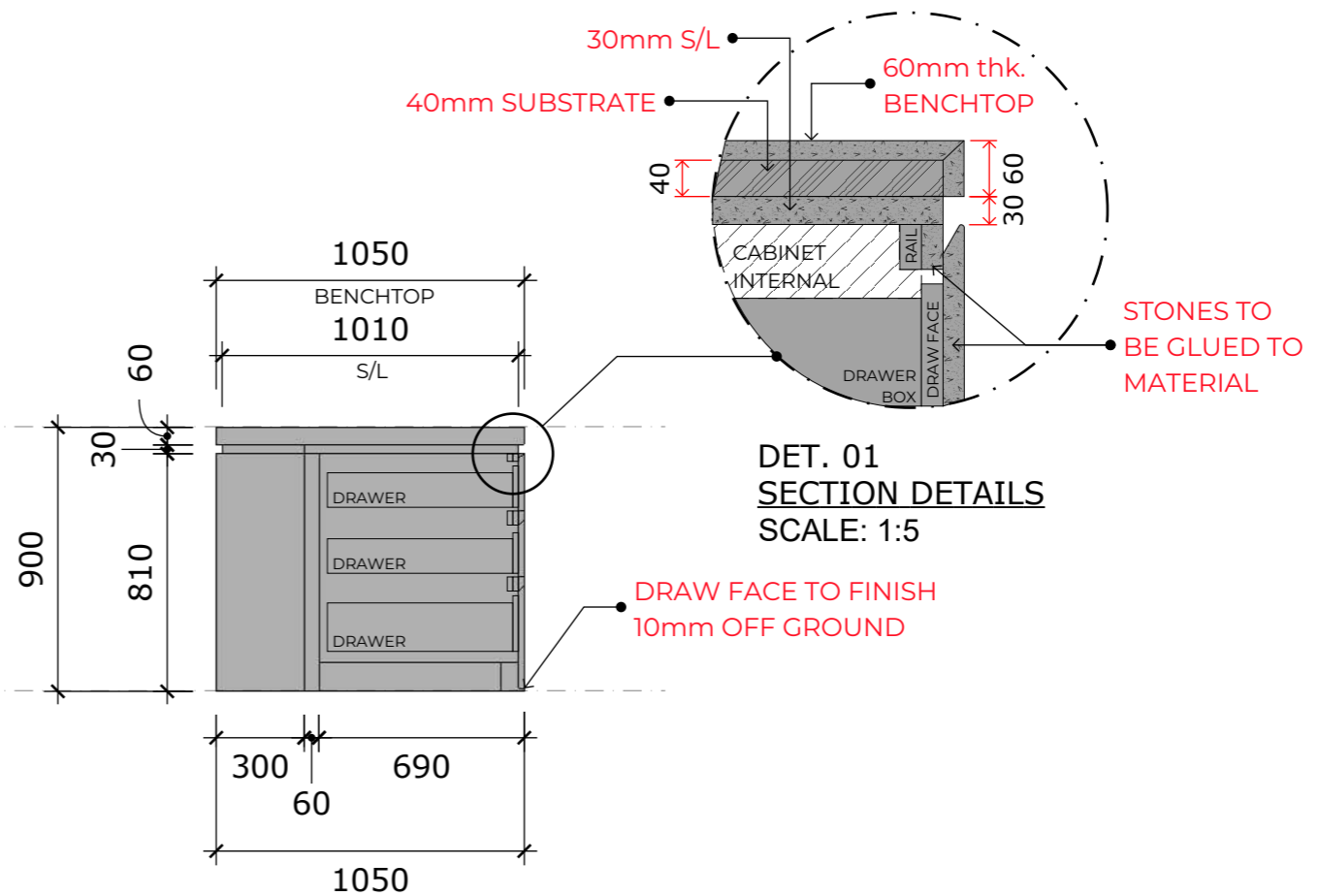
A :: ISLAND PLAN
001 scale: 1=10mm



A :: SHADOWLINE DETAILS
002 scale: 1=10mm



A :: ISLAND FRONT ELEV.
003 scale: 1=10mm



A :: ISLAND SECTION
004 scale: 1=10mm

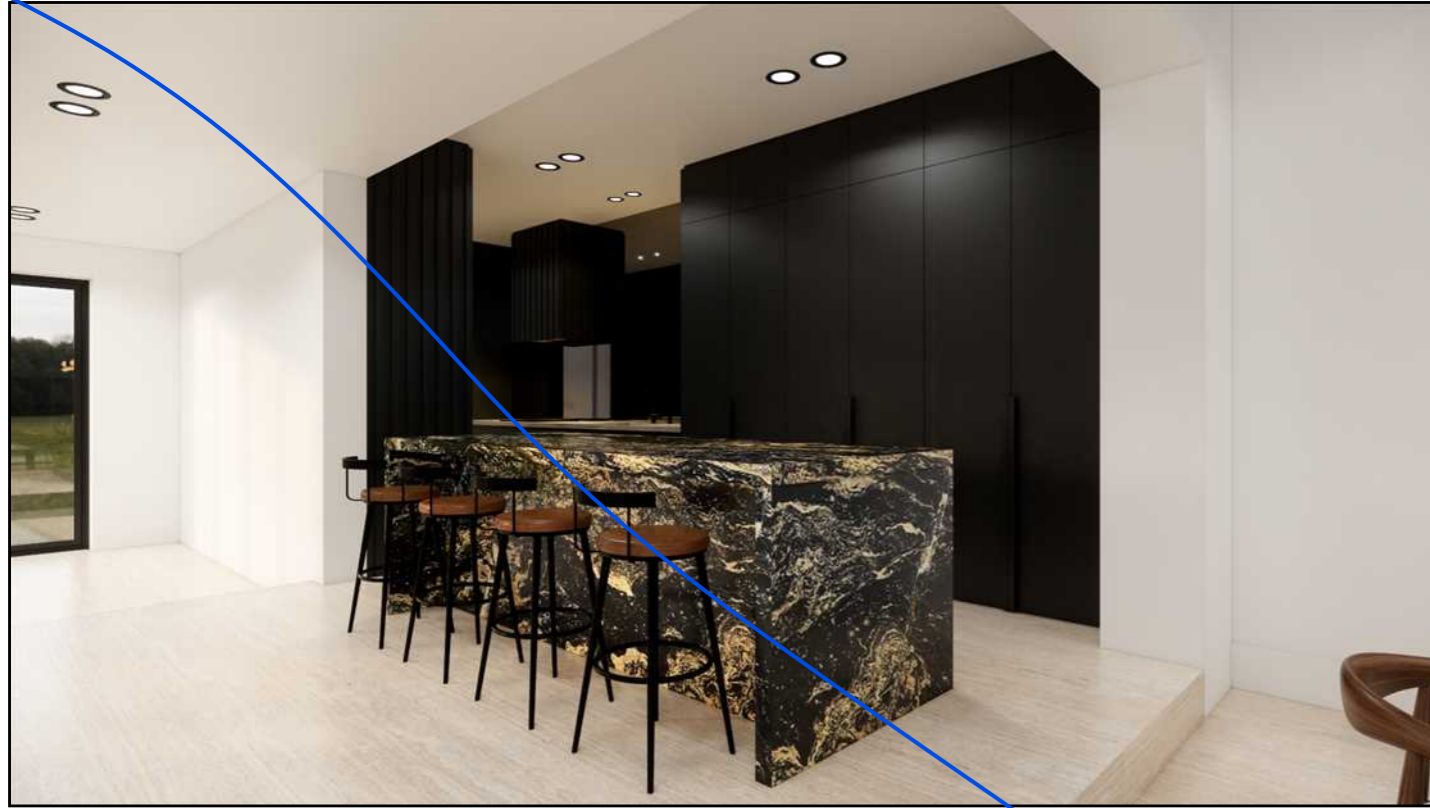
DESIGNED BY
SHAI ZEEV
ABN: 47 640 715 279
6b Larman St, Bentleigh East 3165
Mob: 0407004576
E-mail: sales@thecabinetmerchant.com.au

PROJECT TITLE
TV UNIT

CLIENT ADDRESS

CLIENT NAME

ISLAND OPTION 2 (5x5mm REBATE)



AI DESK PERSPECTIVE 1
Scale: NTS

DESK PERSPECTIVE 2
Scale: NTS AI

DESIGNED BY
SHAI ZEEV
ABN: 47 640 715 279
6b Larman St, Bentleigh East 3165
Mob: 0407004576
E-mail: sales@thecabinetmerchant.com.au

PROJECT TITLE
TV UNIT

CLIENT ADDRESS

CLIENT NAME

ISLAND OPTION 2 (5x5mm REBATE)



AI DESK PERSPECTIVE 1
Scale: NTS

DESK PERSPECTIVE 2
Scale: NTS AI

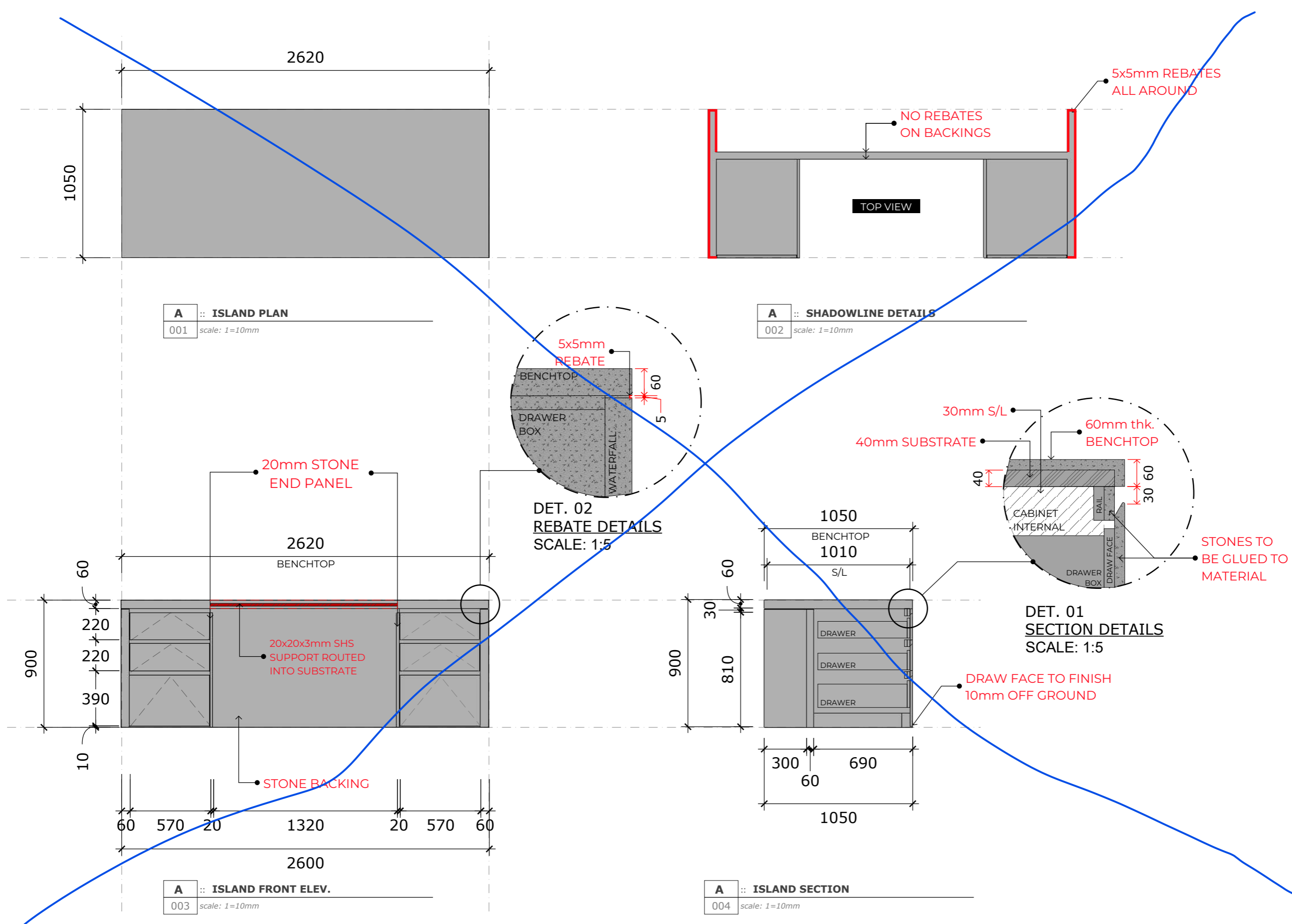
DESIGNED BY
SHAI ZEEV
ABN: 47 640 715 279
6b Larman St, Bentleigh East 3165
Mob: 0407004576
E-mail: sales@thecabinetmerchant.com.au

PROJECT TITLE
TV UNIT

CLIENT ADDRESS

CLIENT NAME

ISLAND OPTION 2 (5x5mm REBATE)



DESIGNED BY
SHAI ZEEV
ABN: 47 640 715 279
6b Larman St, Bentleigh East 3165
Mob: 0407004576
E-mail: sales@thecabinetmerchant.com.au

PROJECT TITLE
TV UNIT

CLIENT ADDRESS

CLIENT NAME