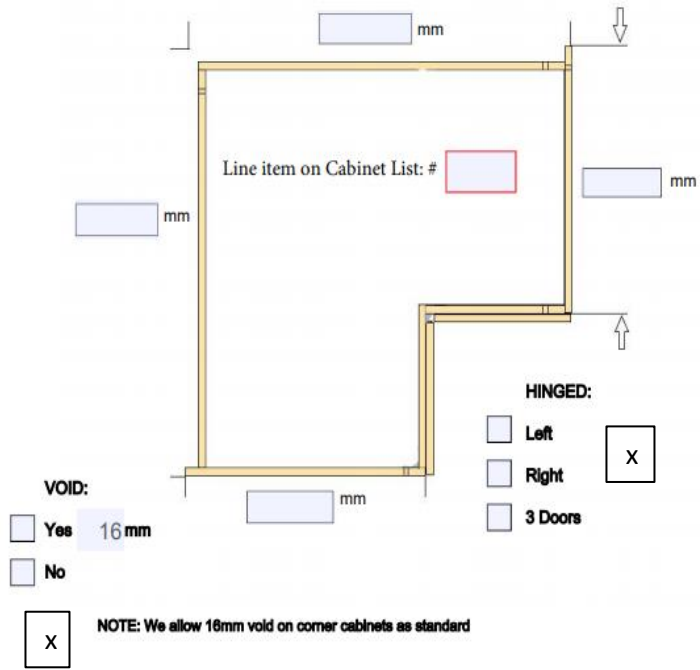


Job Details						TC:	Special Instructions for Office						
Client Name		jag											
Phone													
Email													
Job Name		craigieburn and doncaster											
Date Ordered													
Date Required		asap											
Carcass													
Carcass Material		<input checked="" type="checkbox"/> 16 White HMR (texture)				Other:							
Carcass Edge Colour		<input checked="" type="checkbox"/> White Stp				Other:							
Wrap Cabinets Individually		<input type="checkbox"/> Yes											
Other Materials													
		Supplier		Colour/Name		Finish	Thickness	Client Supply					
Material 1 (C1)		polytec		black		woodmatt	16	<input checked="" type="checkbox"/>					
Material 2 (C2)		polytec		boston oak		woodmatt	16	<input checked="" type="checkbox"/>					
Material 3 (C3)								<input type="checkbox"/>					
Material 4 (C4)								<input type="checkbox"/>					
Material 5 (C5)								<input type="checkbox"/>					
Cabinet Requirements & Drilling -- Note: TC Std Construction (Back inside ends, Back over Top & Base)													
Special Instructions for Design													
Carcass Construction type:		<input type="checkbox"/> TC Std				Other:							
Hinge Type:		<input type="checkbox"/> Blum Inserta				Other:		hettich					
Drill Hinge Cups:		<input type="checkbox"/> Yes											
Std hinge Pos:		<input type="checkbox"/> 100T/100B				Other:							
Drawer Type 1:		<input type="checkbox"/> Blum Antaro				Other:							
Drawer Type 2:		<input type="checkbox"/> Hettich Side Mount Ball Bearing				Other:							
Drill Drawer Fronts:		<input type="checkbox"/> Yes											
Drill for Adjustable Legs:		<input type="checkbox"/> Yes											
Door Gaps: Base:		<input type="checkbox"/> T:3 B:0 L/R:1.5, V/Hz:2				Other:							
Door Gaps: Upper/Tall:		<input type="checkbox"/> T:0 B:0 L/R:1.5, V/Hz:2				Other:							
Base Fingerpull:		<input type="checkbox"/> 30 gap/ 30 lip (60 cutout)				Other:							
Hardware Supply (tick as required) TRADE CABINETS ARE NOT CURRENTLY SUPPLYING HARDWARE													
Supply All hardware		<input type="checkbox"/>						TRADE CABINETS ARE NOT CURRENTLY SUPPLYING HARDWARE					
Supply Hinges		<input type="checkbox"/>											
Supply Drawers		<input type="checkbox"/>											
Supply Adj Legs		<input type="checkbox"/>											
Supply Bin		<input type="checkbox"/>											
Other:													
Packing/Release Info													
Delivery Required		<input type="checkbox"/>				Adress:							
Wrap & Strap Pallet		<input checked="" type="checkbox"/>											
Pallet Size (select)		2400 x 1200											

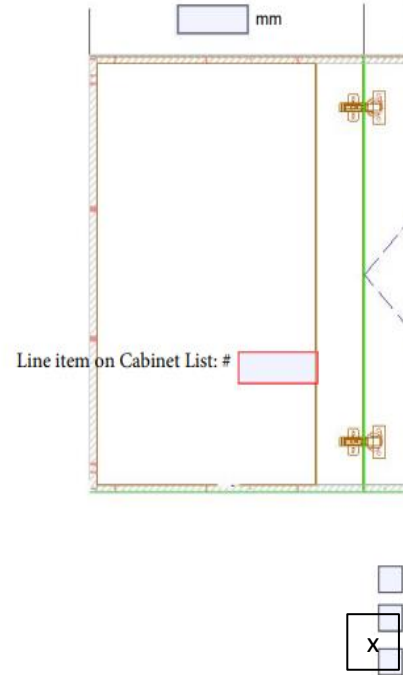




CORNER CABINET DETAIL

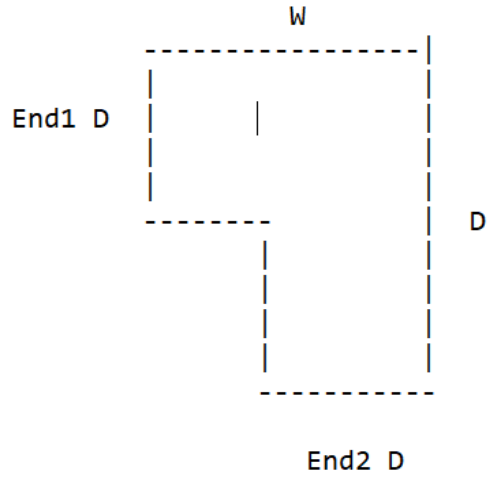
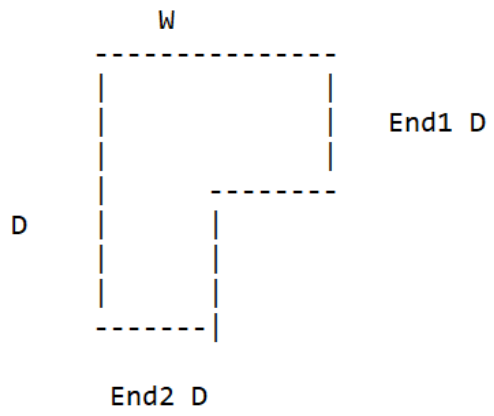


BLIND CORNER CABINET DETAIL

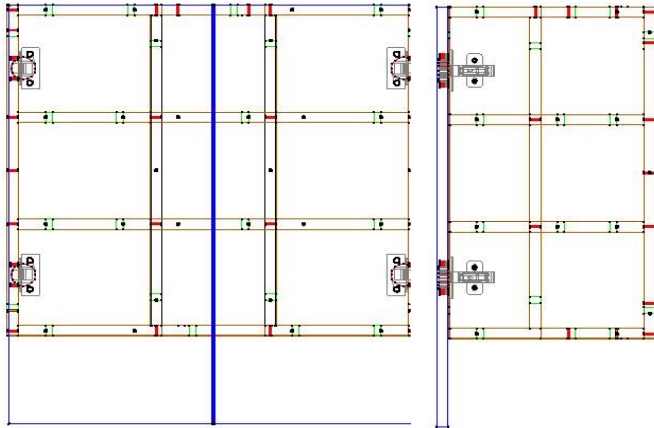




HINGED:  
 | Left  
 | Right  
 | 3 Doors



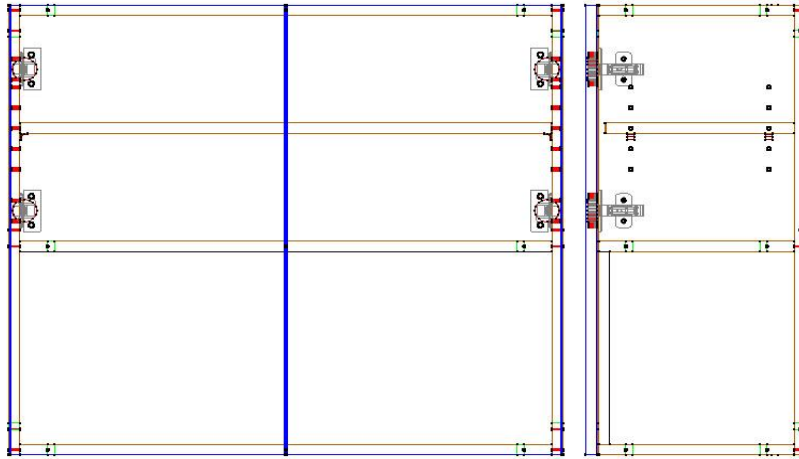
**RANGEHOOD -- CHUTE WITH ADJ/FIXED SHELVES**



**INFORMATION REQUIRED**

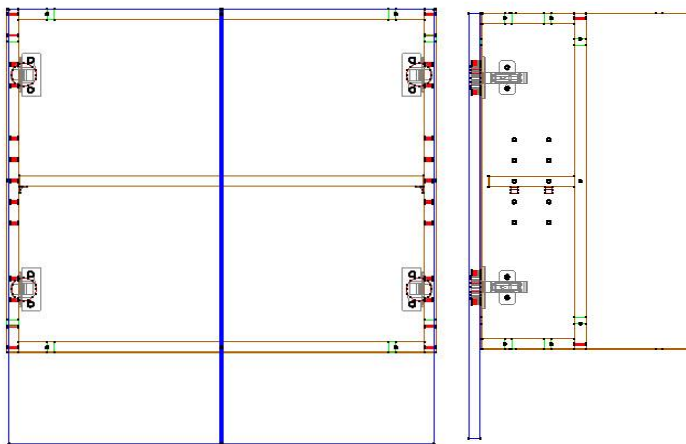
- Chute width & depth
- Height of bottom section
- Bottom hinge position
- Door height/Reveal at

**RANGEHOOD -- CONCEALED WITH ADJ/FIXED SHELVES**

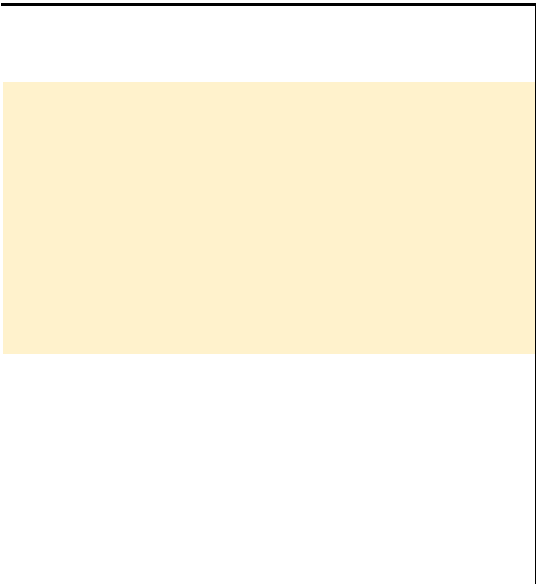


- Chute or reveal
- If chute, width
- Height of bottom section
- Base?
- If base, cutout
- Bottom hinge

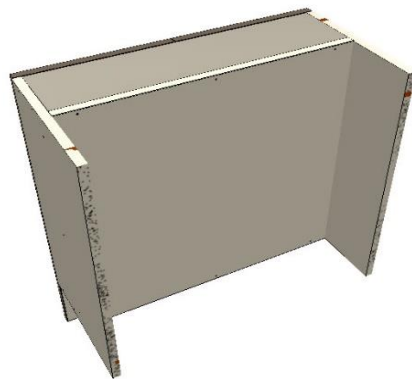
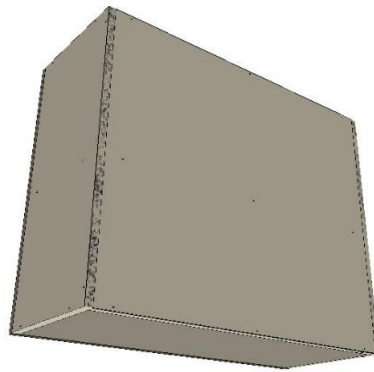
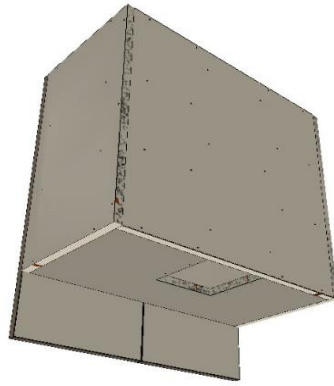
**RANGEHOOD VOID WITH ADJ/FIXED SHELVES**



- Height of bottom section
- Bottom hinge position
- Door height
- Depth of back void
- Height of bottom void



**BACK VIEW**



**Base, Tall, Wall**

Base 2 Door

Base 1 Door LH

Base 1 Door RH

Base 2 Door Sink

Base 1 Door LH Sink

Base 1 Door RH Sink

UBO

Base Open

Base 2 Door Cnr90 LH

Base 2 Door Cnr90 RH

Base Blind (1 Door on Left) - Blind hinges

Base Blind (1 Door on Right) - Blind hinges

Base Blind (1 Door on Left) - Std hinges - Mullion

Base Blind (1 Door on Right) - Std hinges - Mullion

Upper 2 Door

Upper 1 Door LH

Upper 1 Door RH

Upper 1 Door Top Hinge

Upper Open

Upper 2 Door Cnr90 LH

Upper 2 Door Cnr90 RH

Rhood Void Fix Shelves

Rhood Void Adj shelves

Rhood Chute Fix Shelves

Rhood Chute Adj Shelves

Appliance Cabinet (bifold)

Tall 2 Door

Tall 1 Door LH

Tall 1 Door RH

Pantry 1 Door Cnr45 LH

Pantry 1 Door Cnr45 RH

Pantry 1 Door Cnr45 Walkin LH

Pantry 1 Door Cnr45 Walkin RH

Pantry 2 Door Cnr90 LH

Pantry 2 Door Cnr90 RH

Pantry 2 Door Cnr90 Walkin LH

Pantry 2 Door Cnr90 Walkin RH

Tall Blind (Door on Left) - Blind hinges

Tall Blind (Door on Right) - Blind hinges

Tall Blind (Door on Left) w. Mullion - Std hinges

Tall Blind (Door on Right) w. Mullion - Std hinges

Fpull - Base 2 Door

Fpull - Base 1 Door LH

Fpull - Base 1 Door RH

Fpull - Base 2 Door Sink

Fpull - Base 1 Door LH Sink

Fpull - Base 1 Door RH Sink

F-pull - Base 2 Door Cnr90 LH
Fpull - Base 2 Door Cnr90 RH
Fpull - Base Blind (1 Door on Left) - Blind hinges
Fpull - Base Blind (1 Door on Right) - Blind hinges
Fpull - Base Blind (1 Door on Left) - Std hinges - Mullion
Fpull - Base Blind (1 Door on Right) - Std hinges - Mullion

**Drawers**

Base 1 Drawer
Base 2 Drawer
Base 3 Drawer
Base 4 Drawer

- Fpull - Base 1 Drawer
- Fpull - Base 2 Drawer
- Fpull - Base 3 Drawer
- Fpull - Base 4 Drawer

Vertical rail

Vertical rail

Vertical rail

600H between equal fillers. 1 fix-shelf 25up. Cutout in base & fix

Carcass out of face material

16mm void -- attach plan view

16mm void -- attach plan view

Provide door/fixed panel size

Provide door/fixed panel size

Provide door/fixed panel size

Provide door/fixed panel size

100/100 in from L/R

Carcass out of face material

16mm void -- attach plan view

16mm void -- attach plan view

Attach drawing/specs

Attach drawing/specs

Attach drawing/specs

Attach drawing/specs

Provide hardware spec

All adjustable

All adjustable. Provide drawing, plan view

All adjustable. Provide drawing, plan view

All adjustable. Provide drawing, plan view

All adjustable. Provide drawing, plan view

All adjustable. Provide drawing, plan view

All adjustable. Provide drawing, plan view

All adjustable. Provide drawing, plan view

All adjustable. Provide drawing, plan view

All adjustable. Provide drawing, plan view

All adjustable. Provide drawing, plan view

All adjustable. Provide door/fix panel size

All adjustable. Provide door/fix panel size

All adjustable. Provide door/fix panel size

All adjustable. Provide door/fix panel size

Vertical rail. Provide gaps/cutout info

Vertical rail. Provide gaps/cutout info

Vertical rail. Provide gaps/cutout info

Vertical rail. Provide gaps/cutout info

Vertical rail. Provide gaps/cutout info

Vertical rail. Provide gaps/cutout info

16mm void -- attach plan view

16mm void -- attach plan view

Provide door/fixed panel size

Provide door/fixed panel size

Provide door/fixed panel size

Provide door/fixed panel size

Vertical rails. Provide gaps/cutout info

Vertical rails. Provide gaps/cutout info

Vertical rails. Provide gaps/cutout info

Vertical rails. Provide gaps/cutout info

Version	Cabinets
---------	----------

- 1.01 New column: Solid top option for base cabinets
- 1.02 Added Appliance Cabinet (bifold), top hinged overhead  
Restructured columns, separated drawers out. Autopopulate cells based on cab selected. Added TC standards and required info,
- 2 added Job Info tab  
Added Wardobe towers, added text entry for corner cabs, fixed
- 2.01 drawer dropdown
- 2.02 Added door gaps, added rangehood tab

## **Panels**

New column: Material thickness e.g. 16, 18

Grain Direction note added for H

**Other**

Codes updates to make our program run better behind the scenes.