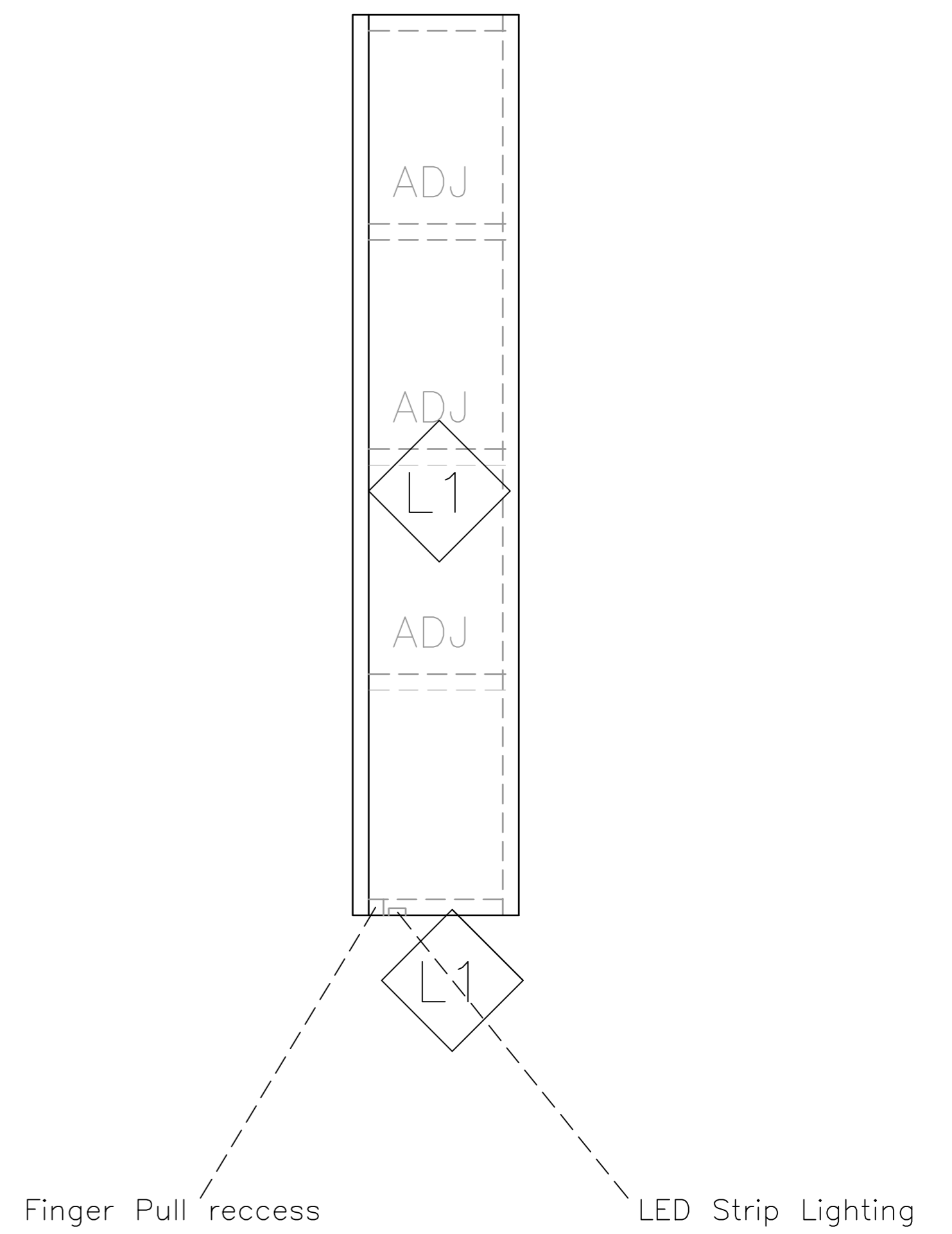
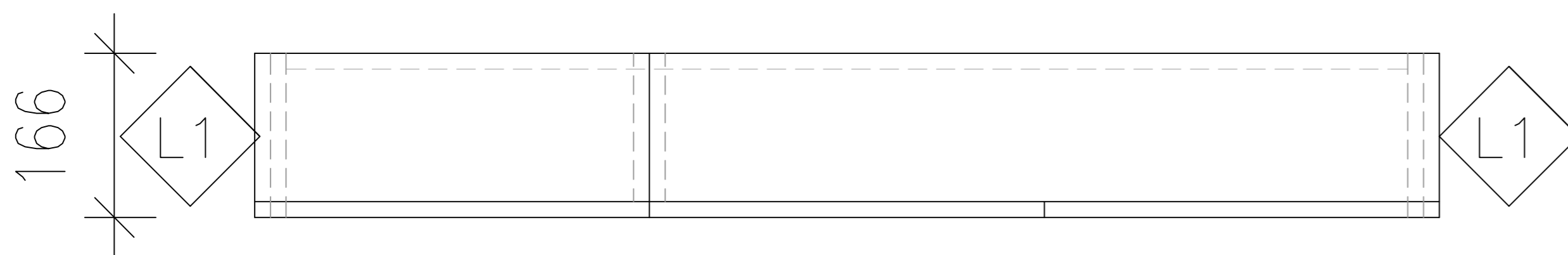


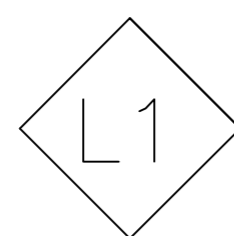
166



16 384 784 16



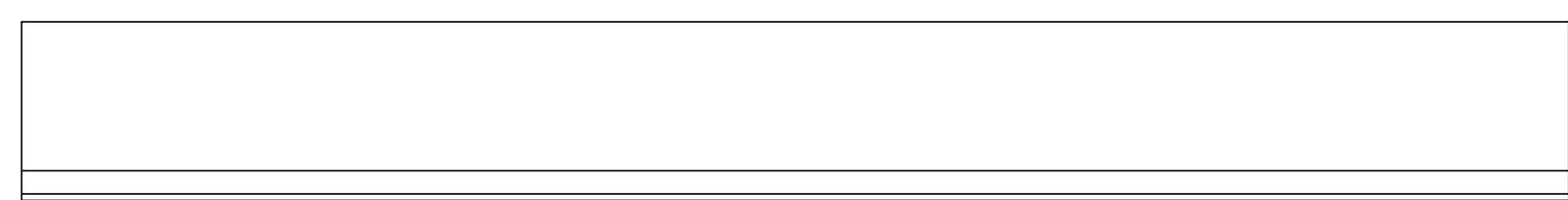
FINISHES



16mm POLYTEC TASMANIAN OAK MATT

1169

135



5 17.5

UNDER PANEL with LED STRIP

**JO'S
MAKEOVERS**



PROJECT: 3 HOBSON PLACE
DINGLEY
Drawing Title : MIRROR CABINET
Date: 17/06/2025
Drawing No. A1
Revision : Rev 0
Drawn : AC

PLANS INSPECTED AND APPROVED FOR CONSTRUCTION

NAME _____

SIGNED _____

DATED / /