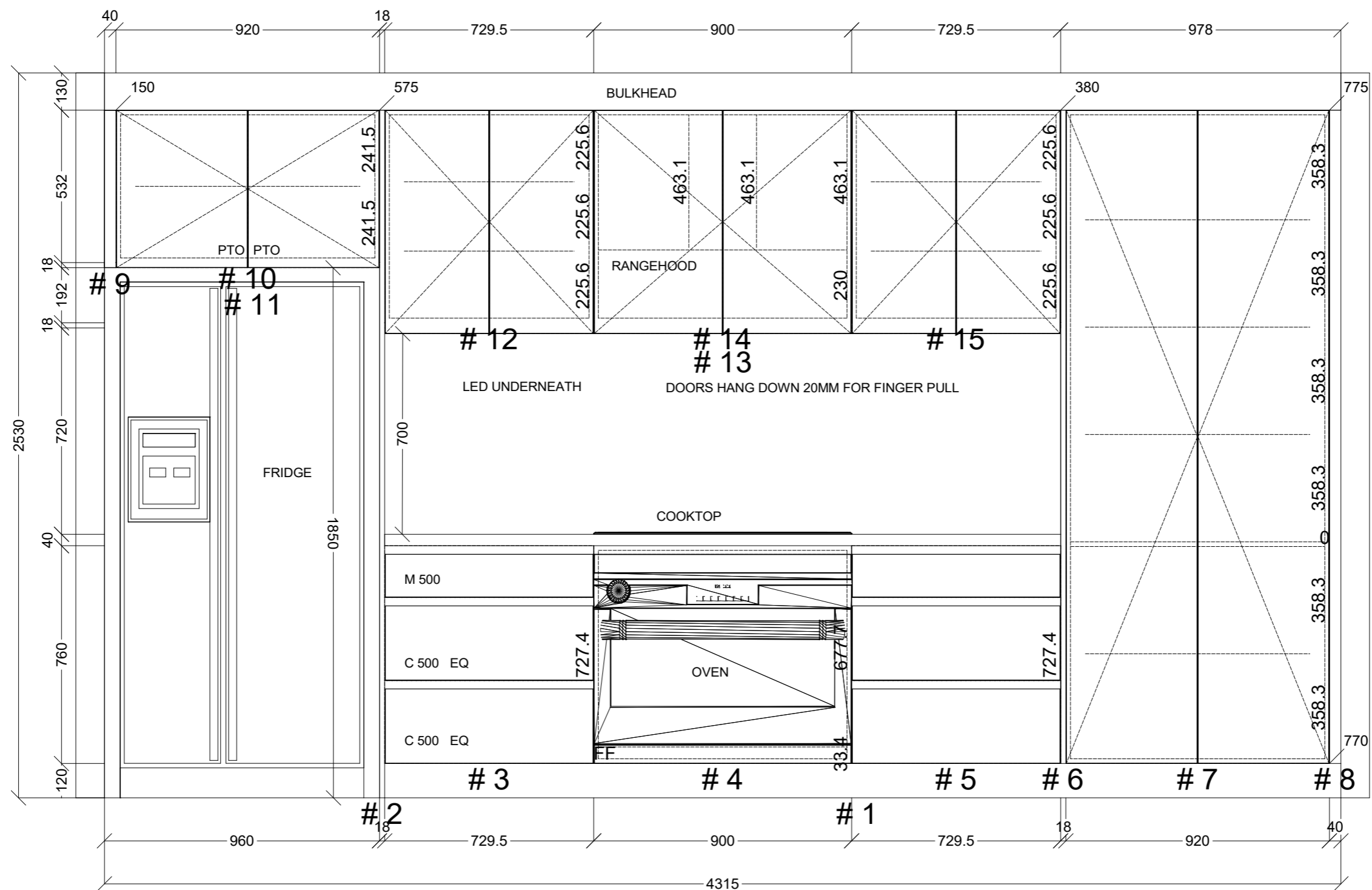
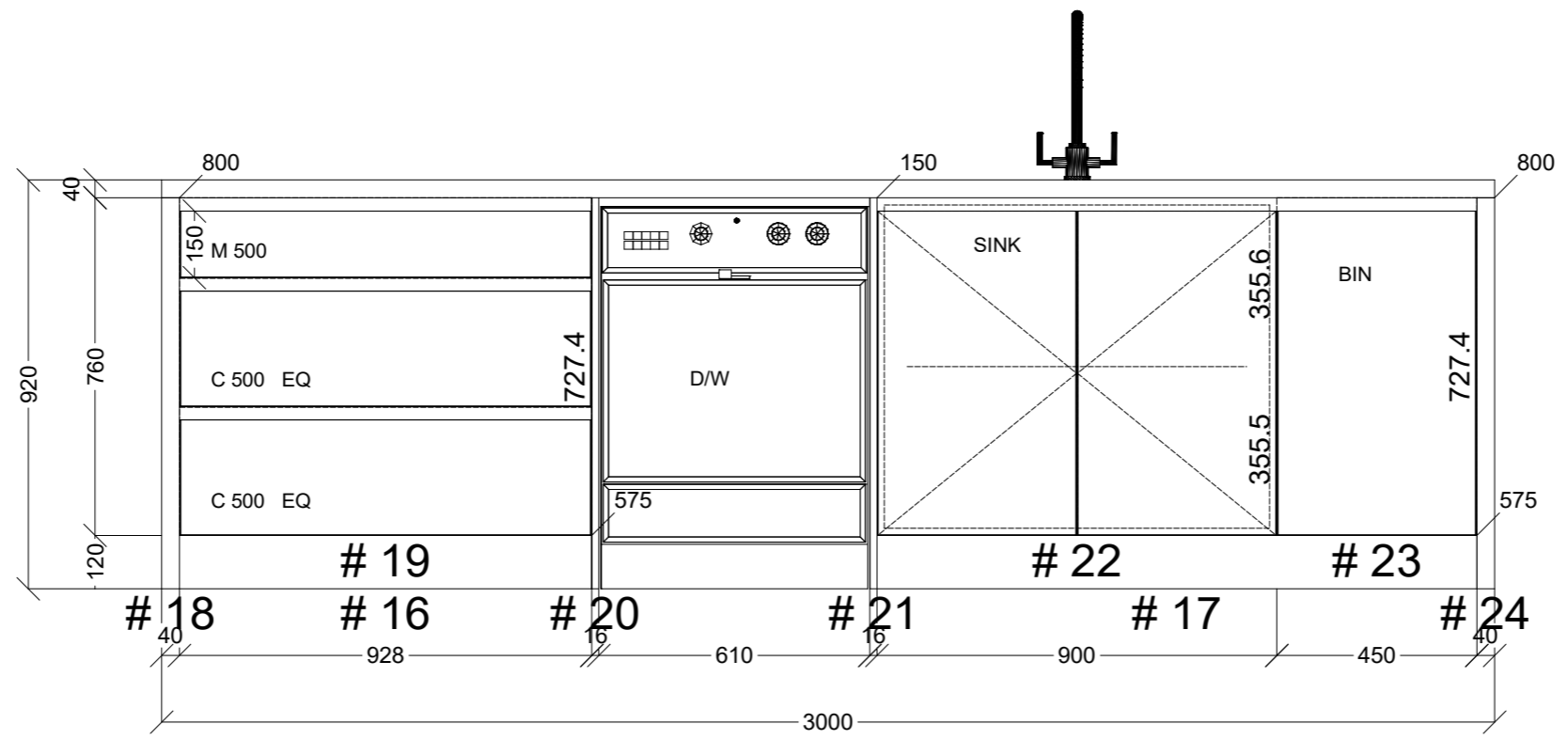


 CONNECT KITCHENS	Client: JAMES KING	Door and panels style/colour: BLONDE OAK WOODMATT/OYSTER GREY MATT		Sheet 1 of 11
	Room: KITCHEN	Benchtop Colour: 40MM AC003L GRIGIO CONCRETE LEATHER FINISH	Drawer slides: BLUM ANTARO	Carcass: WHITE HMR
	Date: 19/06/25	Address: 90 BURKE RD IVANHOE EAST	Handles Item No: 45' FINGER PULL	Approved by:



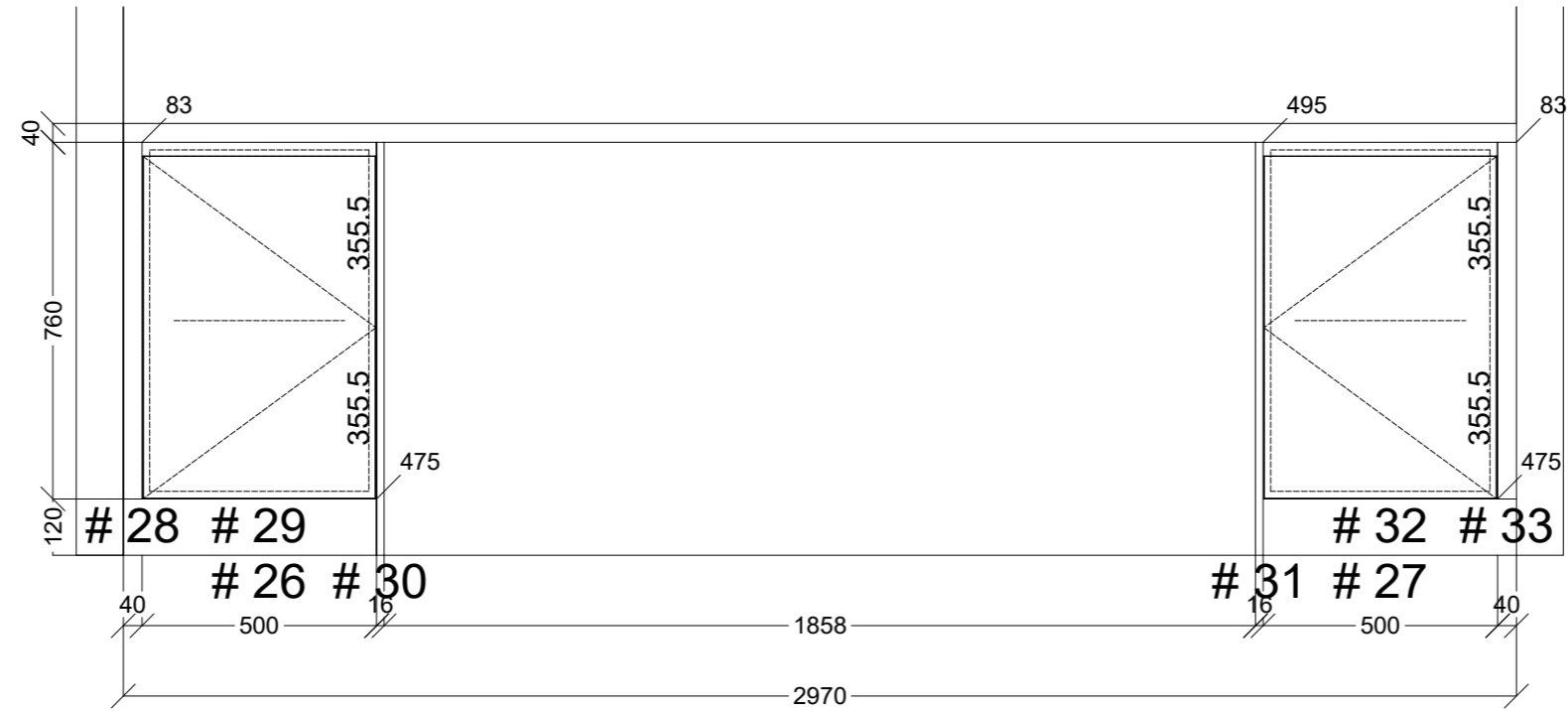
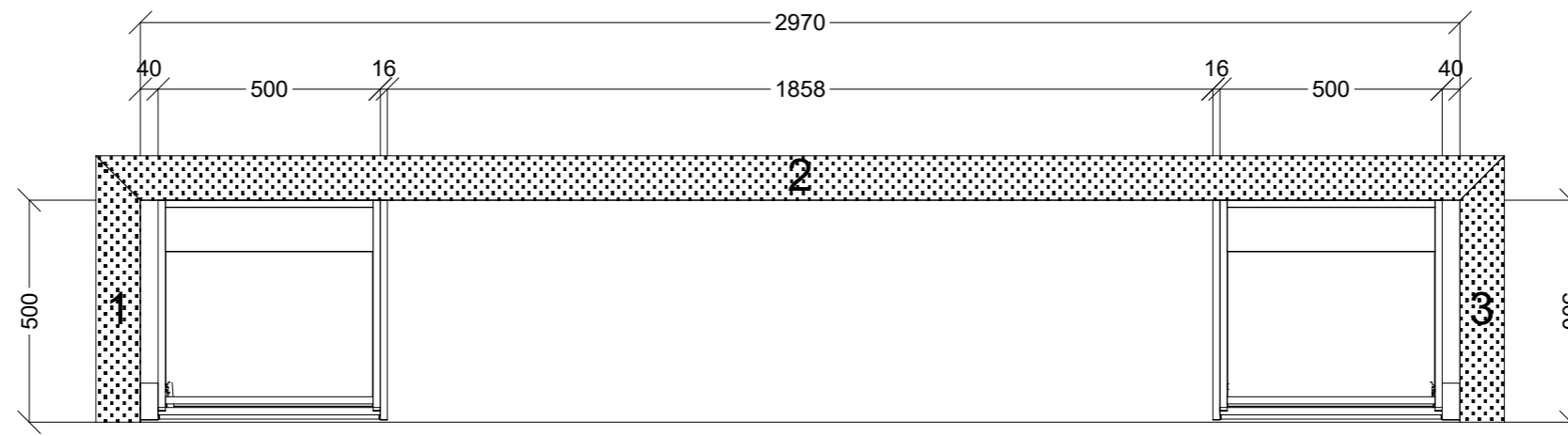
Client: JAMES KING	Door and panels style/colour: BLONDE OAK WOODMATT/OYSTER GREY MATT		Sheet 2 of 11
Room: KITCHEN	Benchtop Colour: 40MM AC003L GRIGIO CONCRETE LEATHER FINISH	Drawer slides: BLUM ANTARO	Carcass: WHITE HMR
Date: 19/06/25	Address: 90 BURKE RD IVANHOE EAST	Handles Item No: 45' FINGER PULL	Approved by:




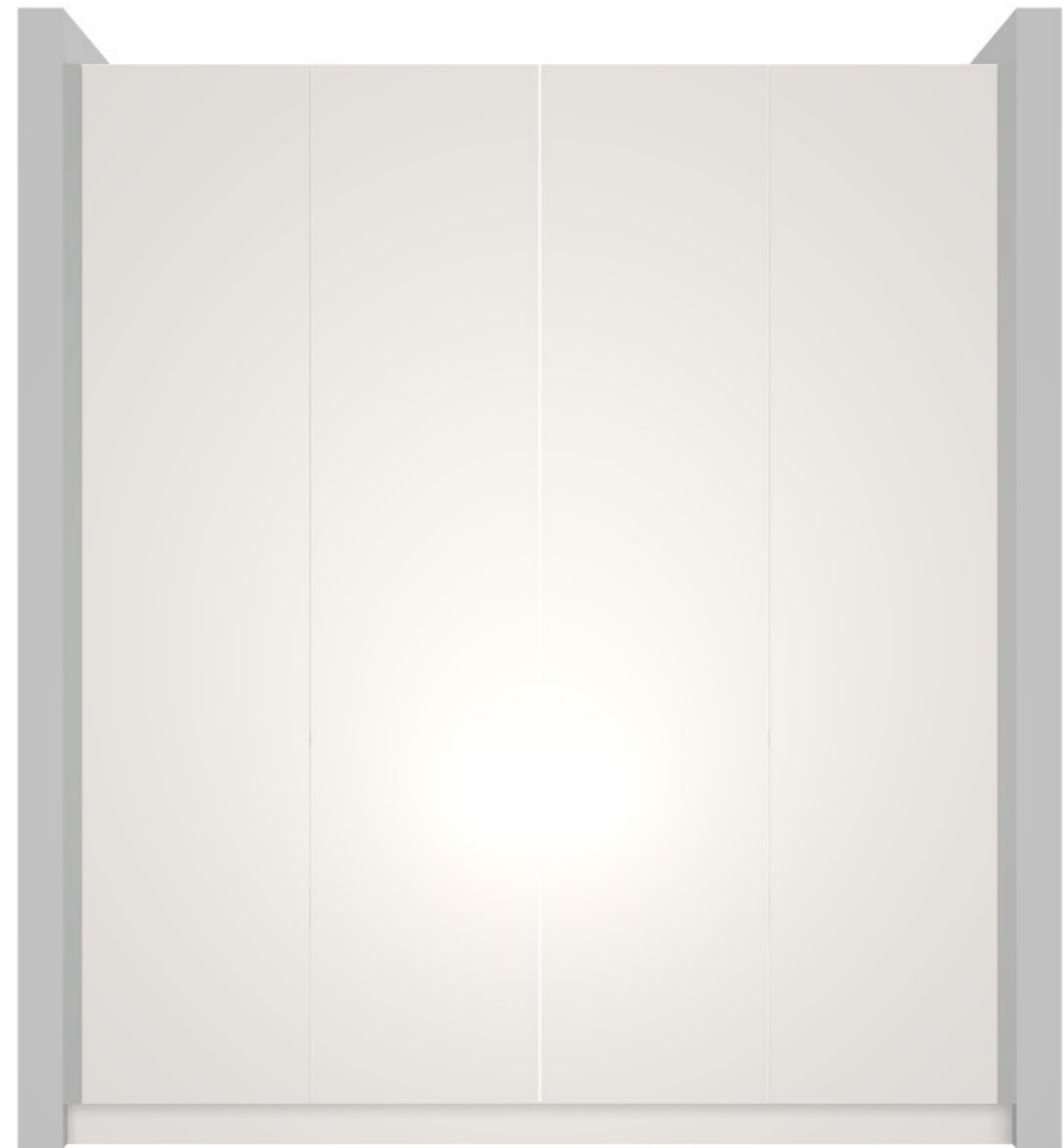
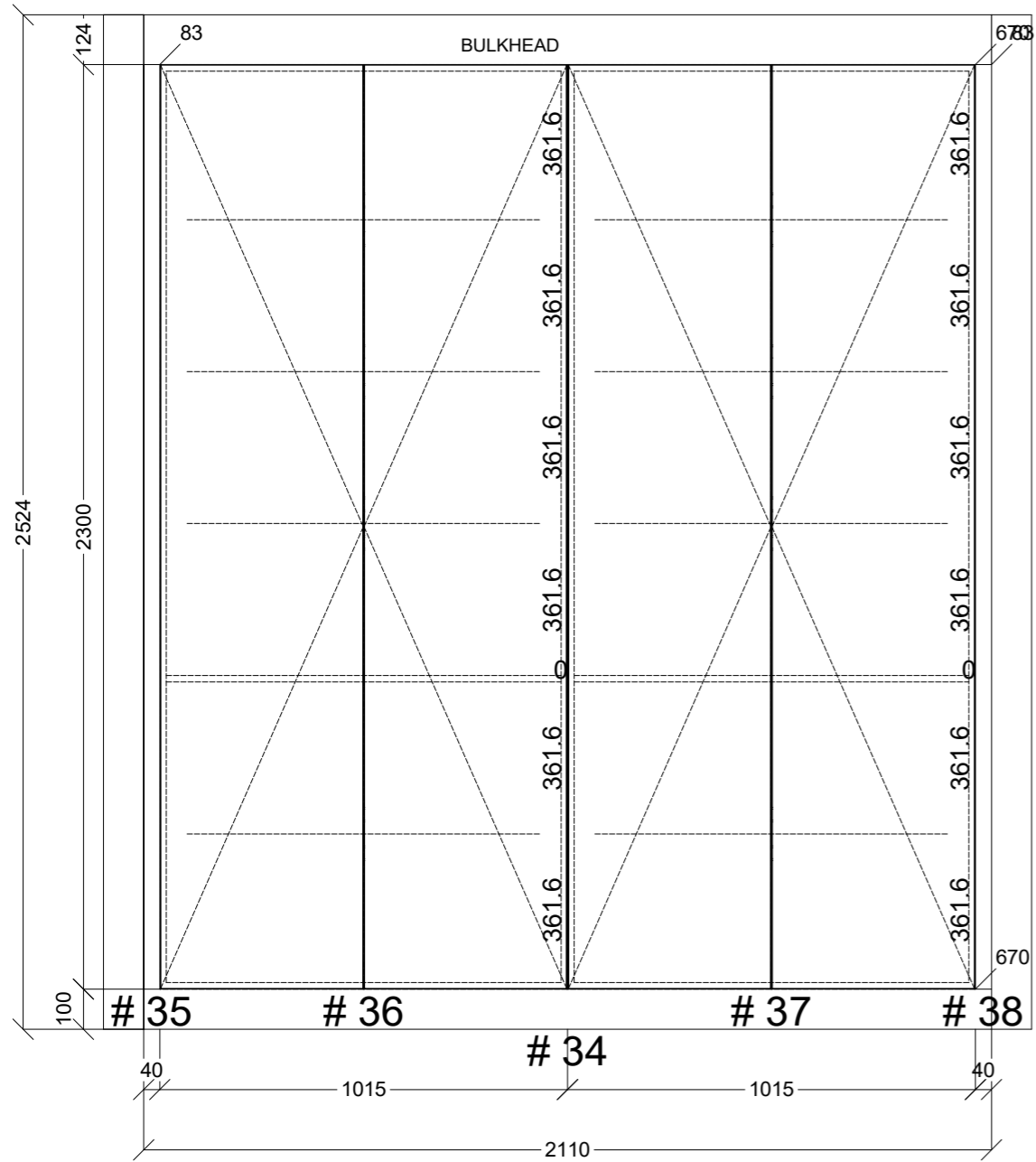
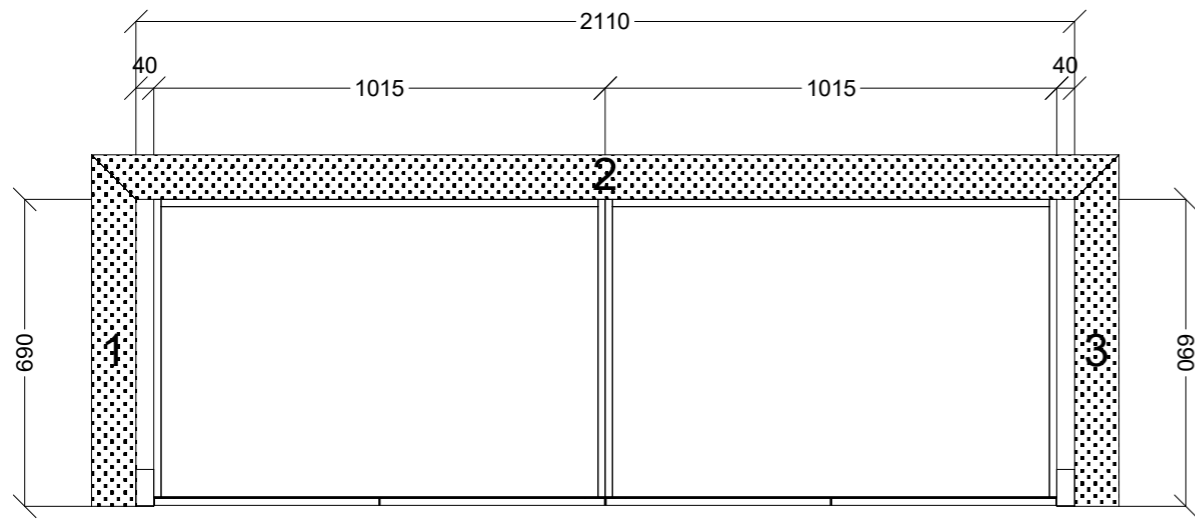
	Client: JAMES KING		Door and panels style/colour: BLONDE OAK WOODMATT/OYSTER GREY MATT		Sheet 3 of 11
	Room: KITCHEN		Benchtop Colour: 40MM AC003L GRIGIO CONCRETE LEATHER FINISH		Drawer slides: BLUM ANTARO
	Carcass: WHITE HMR				
Date: 19/06/25	Address: 90 BURKE RD IVANHOE EAST		Handles Item No: 45' FINGER PULL		Approved by:




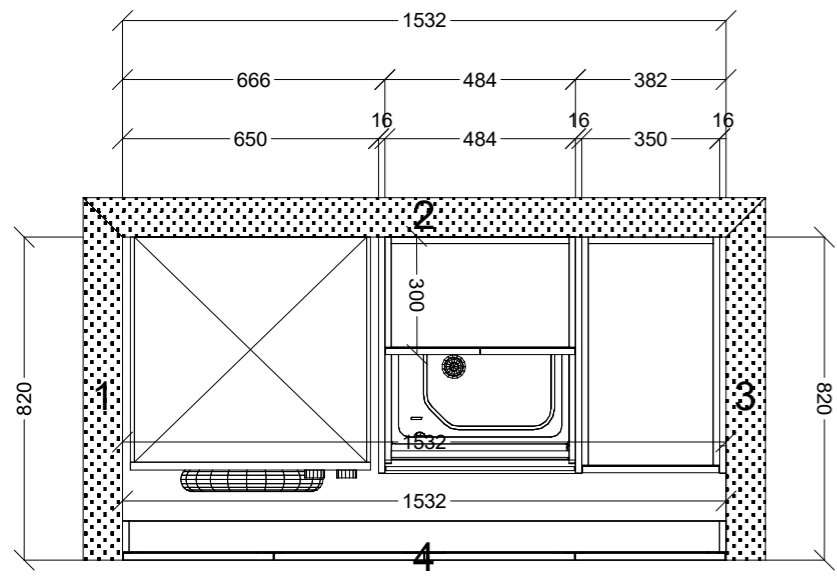
 CONNECT KITCHENS	Client: JAMES KING		Door and panels style/colour: BLONDE OAK WOODMATT/OYSTER GREY MATT		Sheet 4 of 11
	Room: KITCHEN	Benchtop Colour: 40MM AC003L GRIGIO CONCRETE LEATHER FINISH		Drawer slides: BLUM ANTARO	Carcass: WHITE HMR
	Date: 19/06/25	Address: 90 BURKE RD IVANHOE EAST		Handles Item No: 45' FINGER PULL	Approved by:



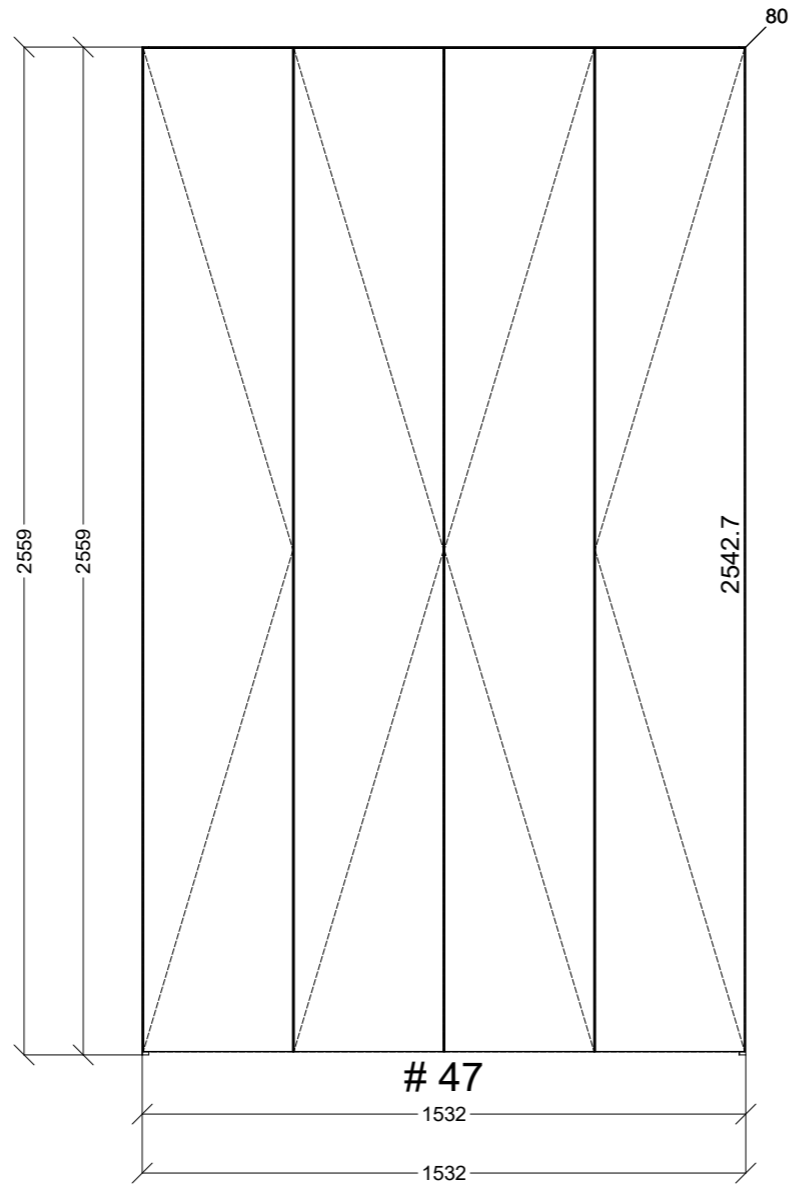
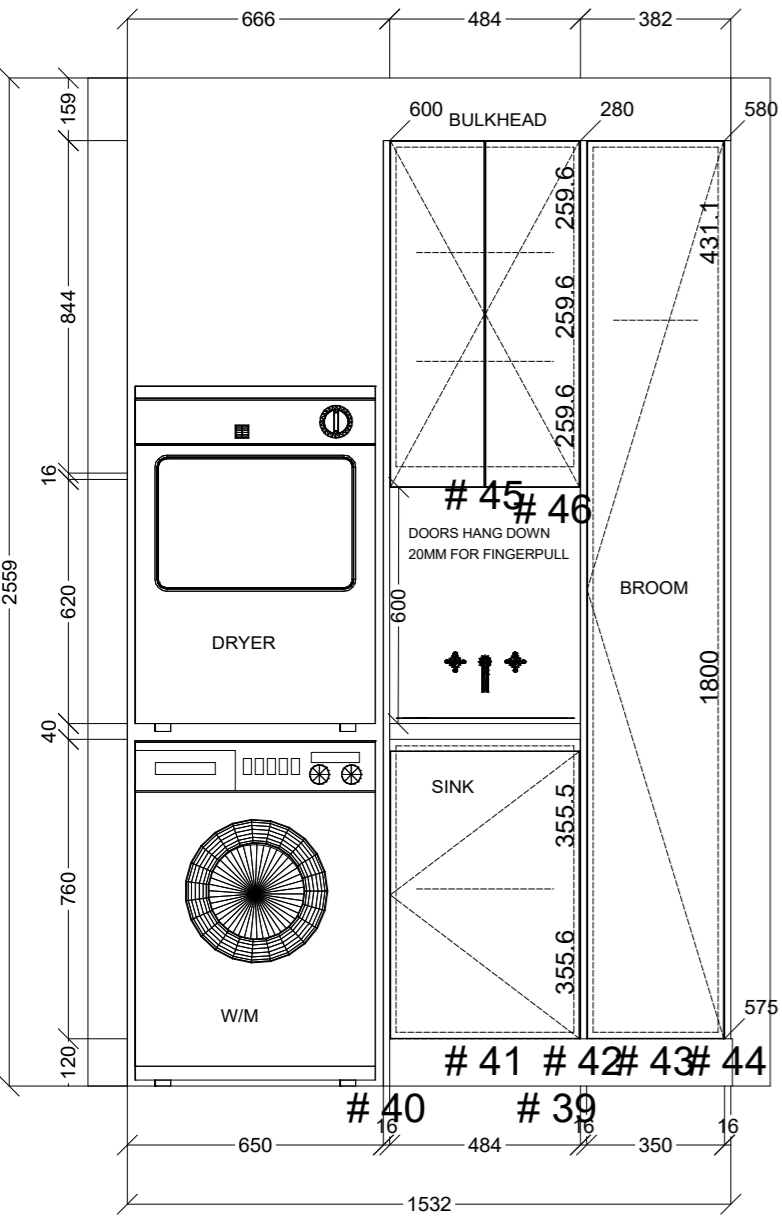
 CONNECT KITCHENS	Client: JAMES KING	Door and panels style/colour: OYSTER GREY MATT		Sheet 5 of 11
	Room: KITCHEN SERVERY	Benchtop Colour: 40MM AC003L GRIGIO CONCRETE LEATHER FINISH	Drawer slides: BLUM ANTARO	Carcass: WHITE HMR
	Date: 19/06/25	Address: 90 BURKE RD IVANHOE EAST	Handles Item No: 45' FINGER PULL	Approved by:



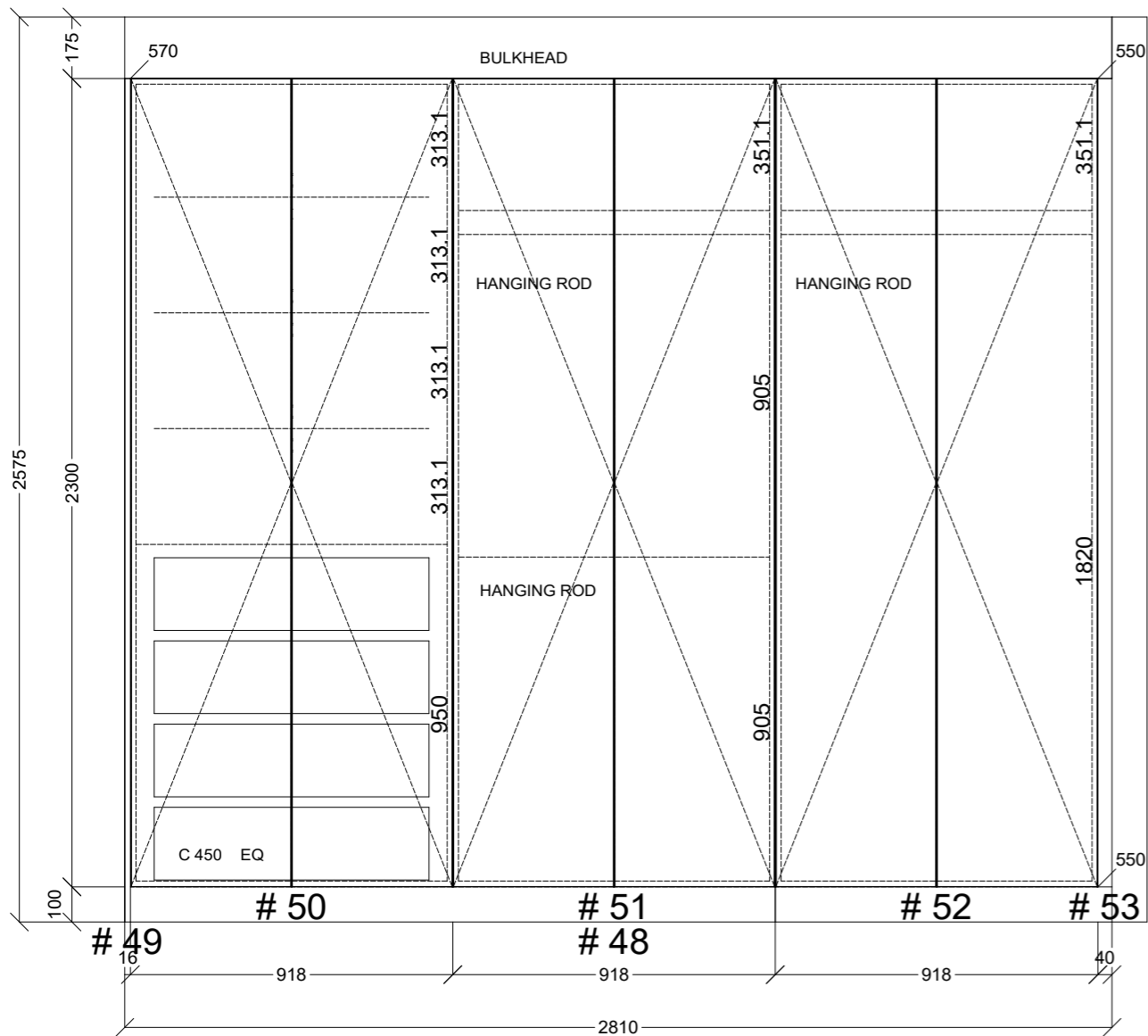
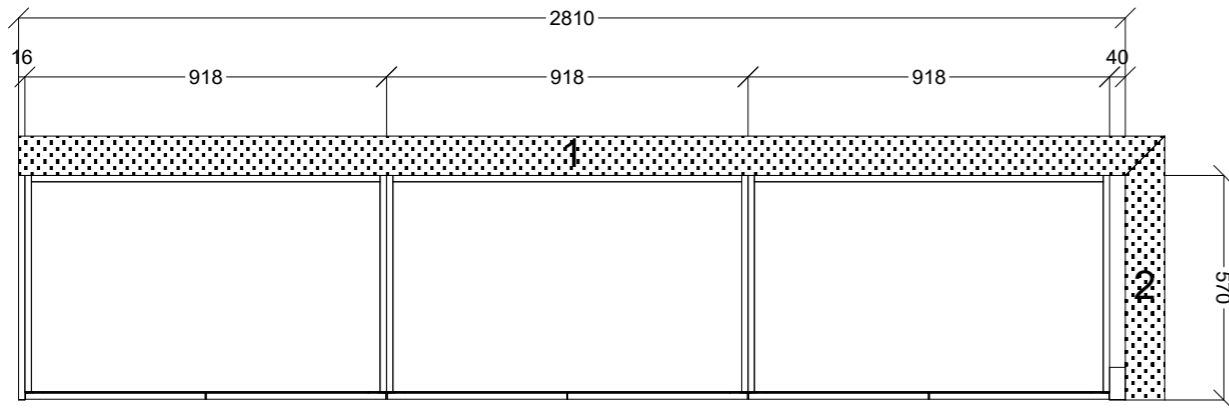
 CONNECT KITCHENS	Client: JAMES KING		Door and panels style/colour: ALABASTER WHITE MATT		Sheet 6 of 11	
	Room: LINEN		Benchtop Colour: N/A		Drawer slides: N/A	Carcass: WHITE HMR
	Date: 19/06/25	Address: 90 BURKE RD IVANHOE EAST		Handles Item No: PTO		Approved by:




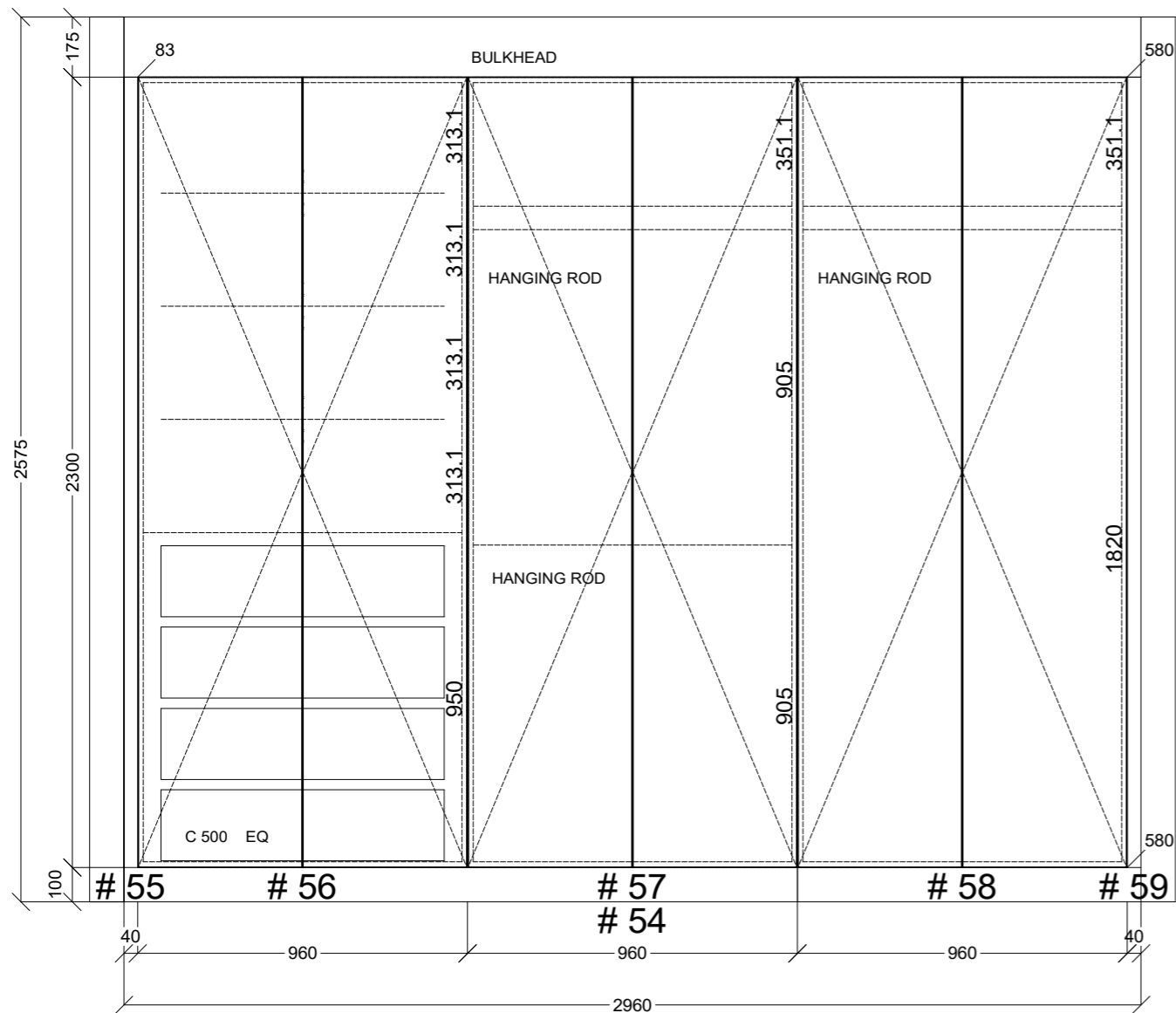
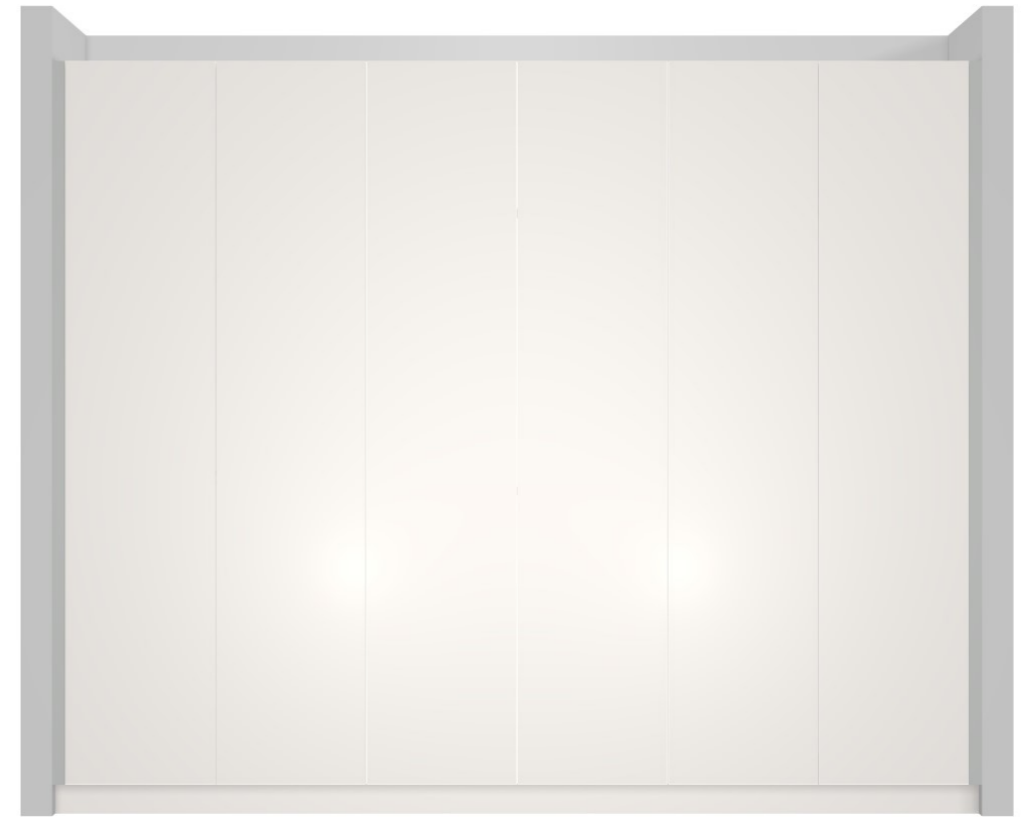
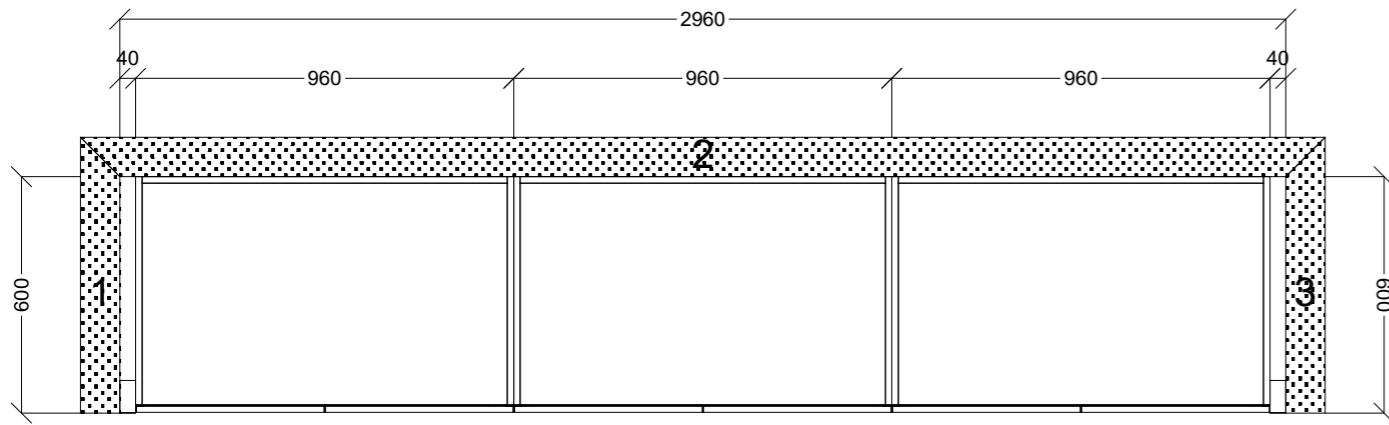
RIC TO MEASURE FOR BIFOLD DOORS




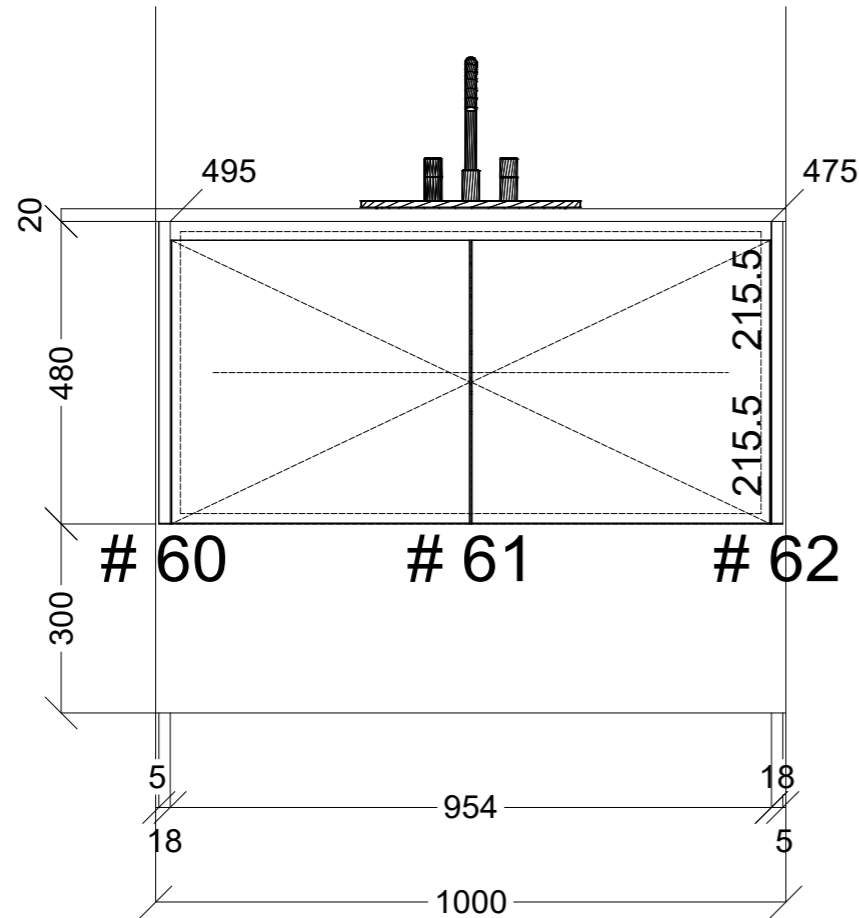
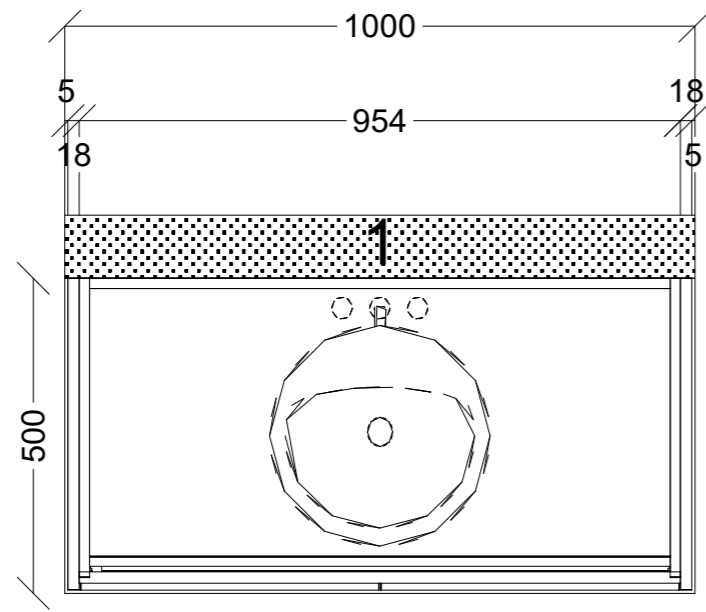
Client: JAMES KING	Door and panels style/colour: ALABASTER WHITE MATT		Sheet 7 of 11
Room: LAUNDRY	Benchtop Colour: 40MM AC003L GRIGIO CONCRETE LEATHER FINISH	Drawer slides: N/A	Carcass: WHITE HMR
Date: 19/06/25	Address: 90 BURKE RD IVANHOE EAST	Handles Item No: 45' FINGER PULL	Approved by:



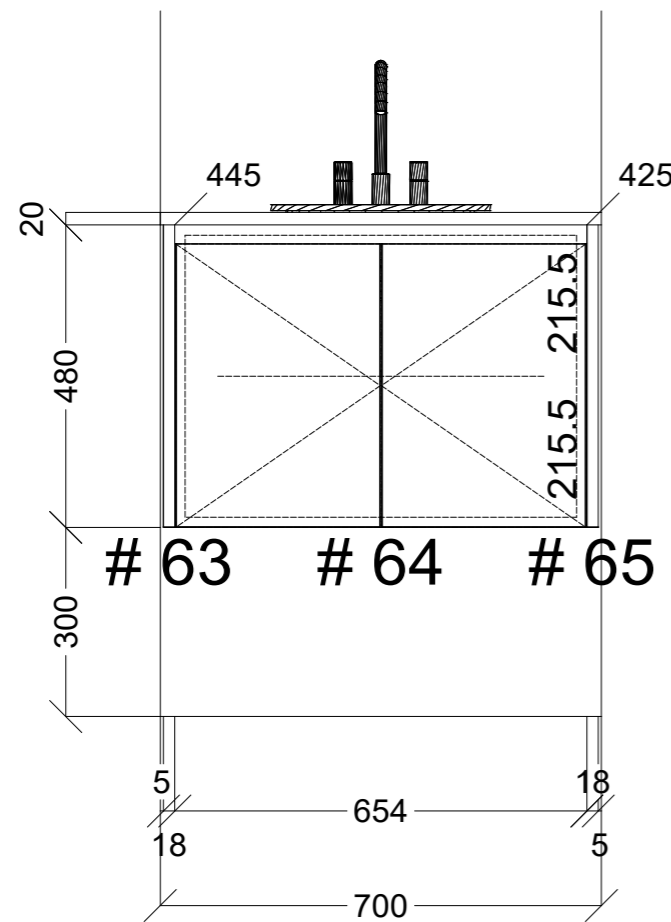
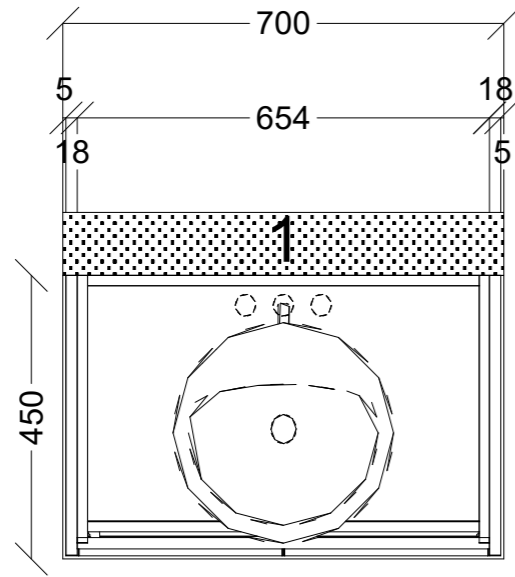
	Client: JAMES KING		Door and panels style/colour: ALABASTER WHITE MATT		Sheet 8 of 11
	Room: DAUGHTERS ROOM		Benchtop Colour: N/A		Drawer slides: BLUM ANTARO
	Carcass: WHITE HMR		Date: 19/06/25		Address: 90 BURKE RD IVANHOE EAST
Handles Item No: TBA		Approved by:			



	Client: JAMES KING		Door and panels style/colour: ALABASTER WHITE MATT		Sheet 9 of 11
	Room: SONS ROOM	Benchtop Colour: N/A		Drawer slides: BLUM ANTARO	Carcass: WHITE HMR
	Date: 19/06/25	Address: 90 BURKE RD IVANHOE EAST		Handles Item No: TBA	Approved by:



	Client: JAMES KING		Door and panels style/colour: BLONDE OAK WOODMATT		Sheet 10 of 11
	Room: VANITY 1		Benchtop Colour: 20MM AC003L GRIGIO CONCRETE LEATHER FINISH		Drawer slides: N/A
	Carcass: WHITE HMR				
Date: 19/06/25	Address: 90 BURKE RD IVANHOE EAST		Handles Item No: 45' FINGER PULL		Approved by:



	Client: JAMES KING		Door and panels style/colour: BLONDE OAK WOODMATT		Sheet 11 of 11
	Room: VANITY 2		Benchtop Colour: 20MM AC003L GRIGIO CONCRETE LEATHER FINISH		Drawer slides: N/A
	Carcass: WHITE HMR				
Date: 19/06/25	Address: 90 BURKE RD IVANHOE EAST		Handles Item No: 45' FINGER PULL		Approved by: