

EXECUTIVE ROBES & SCREENS

CLIENT: **P+J CONSTRUCTIONS**
 TAX INVOICE ADDRESS:
 EMAIL: **JOE@PANDJCONSTRUCTIONS.COM.AU**
 JOB ADDRESS: **LOT 1235 ACAI CRT CLYDE WTH**

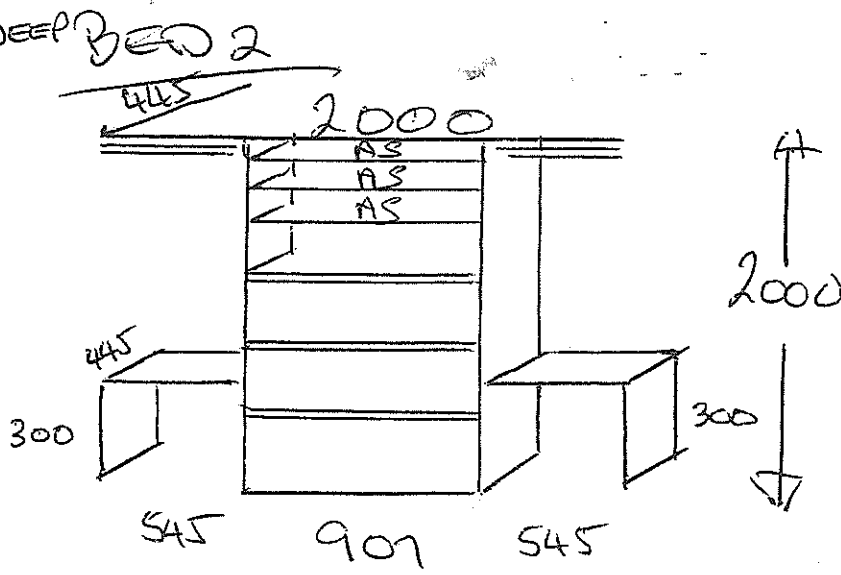
REP CODE & NAME: **Phil Chival** JOB NUMBER: **1496**

PO NUMBER: NAME: **JOE GENTILE** MOBILE: **0418380**

COMMENTS & INSTRUCTIONS:

- STANDARD DRAWERS
 - SOFT CLOSE DRAWERS
 - 25MM FINGERPULL
- HANDLE CODE

- FRAME/TRACK COLOUR
 INSERT TYPE
- FRAMED
 - FRAMELESS



COPY

- STANDARD DRAWERS
 - SOFT CLOSE DRAWERS
 - 25MM FINGERPULL
- HANDLE CODE

- FRAME/TRACK COLOUR
 INSERT TYPE
- FRAMED
 - FRAMELESS

MEASURE DATE:

INSTALL DATE:

PAGE ___ OF ___

STAIRS Y N N/A

PAINTED Y N

FLOOR LEVEL

1	2
3	4+

GROSS PRICE CALCULATOR

SIDEWALLS
 Melamine
 Custom

Top/Floor

TOWER UNIT
 507 607

RODS (EACH)

CUTS
 Skirting
 Cornice

FRAMING
 Post Custom
 Melamine

BACKING
 Melamine

SHELVING

ADJUSTABLES

DIVIDERS

DRAWER HANDLE

TERMS ARE STRICTLY ACCOUNT / COD

NON ACCOUNT TERMS ARE STRICTLY C.O.D AND ARE TO BE PAID ON PROGRESSIVE INSTALL. A 1.5% ADMIN FEE WILL BE CHARGED IF PAYING BY CREDIT CARD

TOTAL INC. GST

\$

GROSS	%	NETT	C/M	TRAVEL	CARTAGE	REMOVAL	OTHER	TOTAL EXC. GST	GST
-------	---	------	-----	--------	---------	---------	-------	----------------	-----