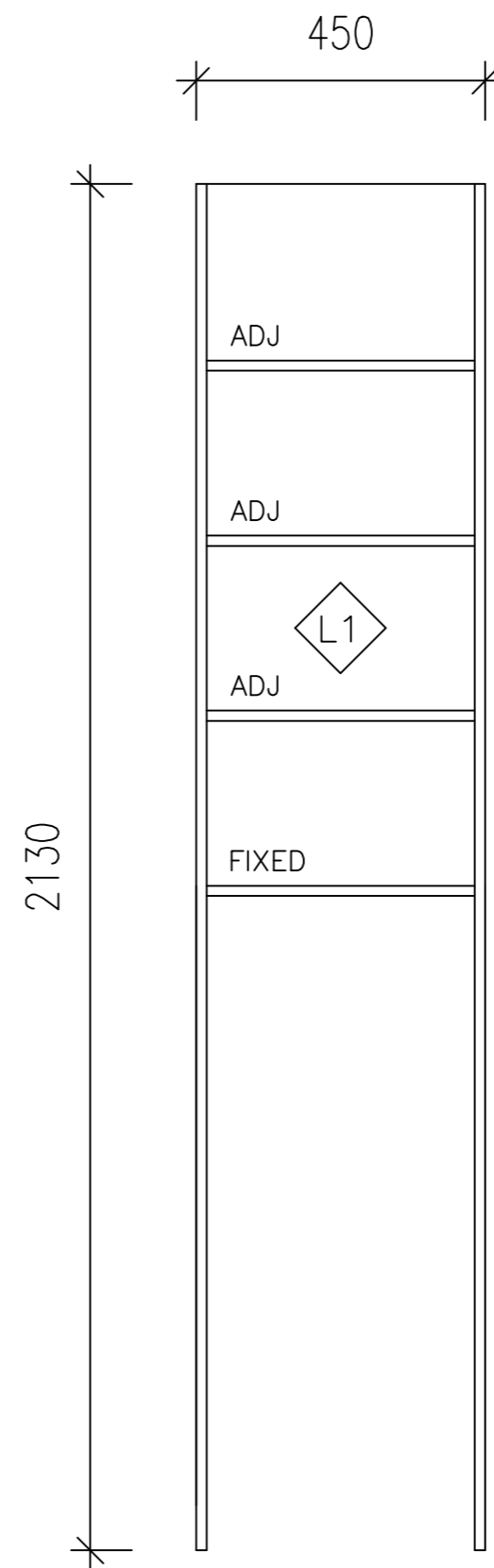
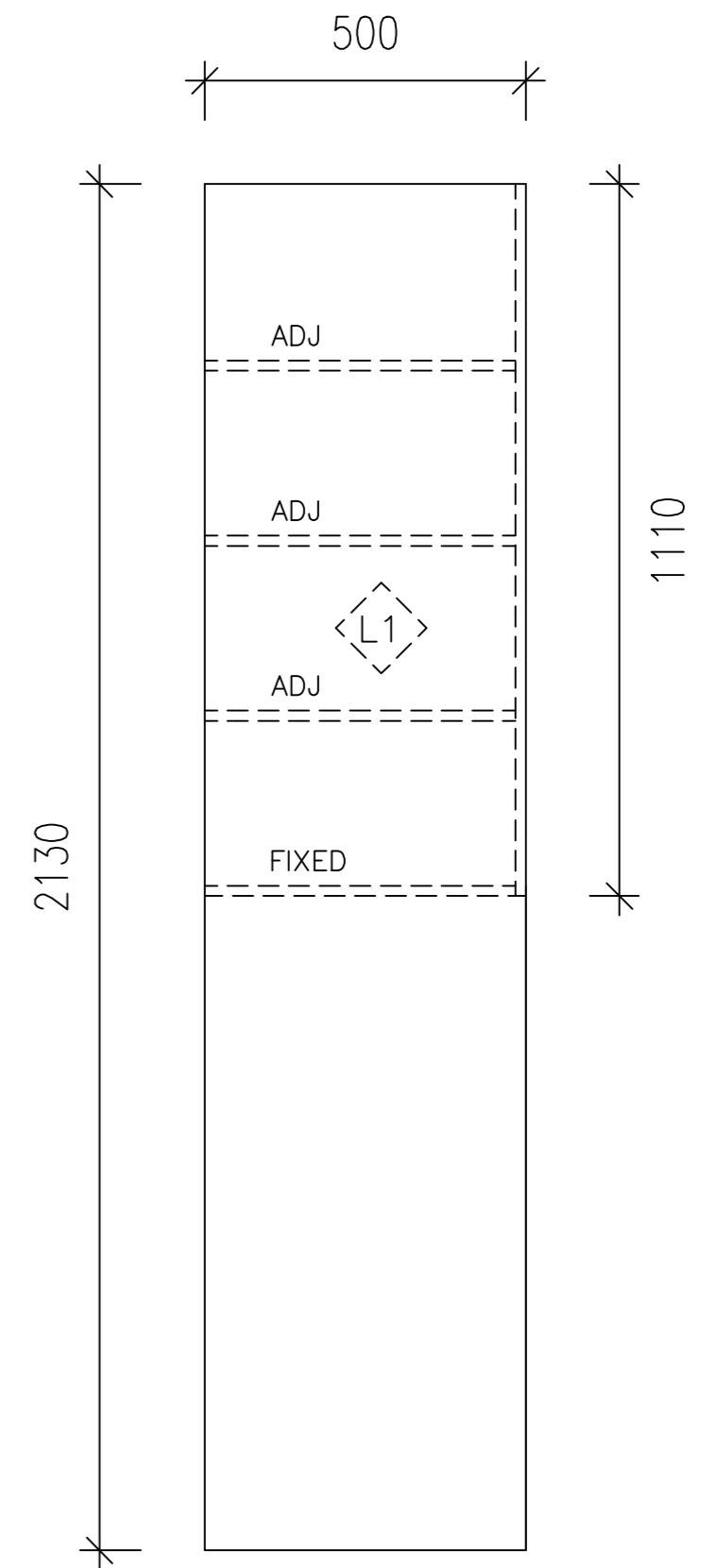


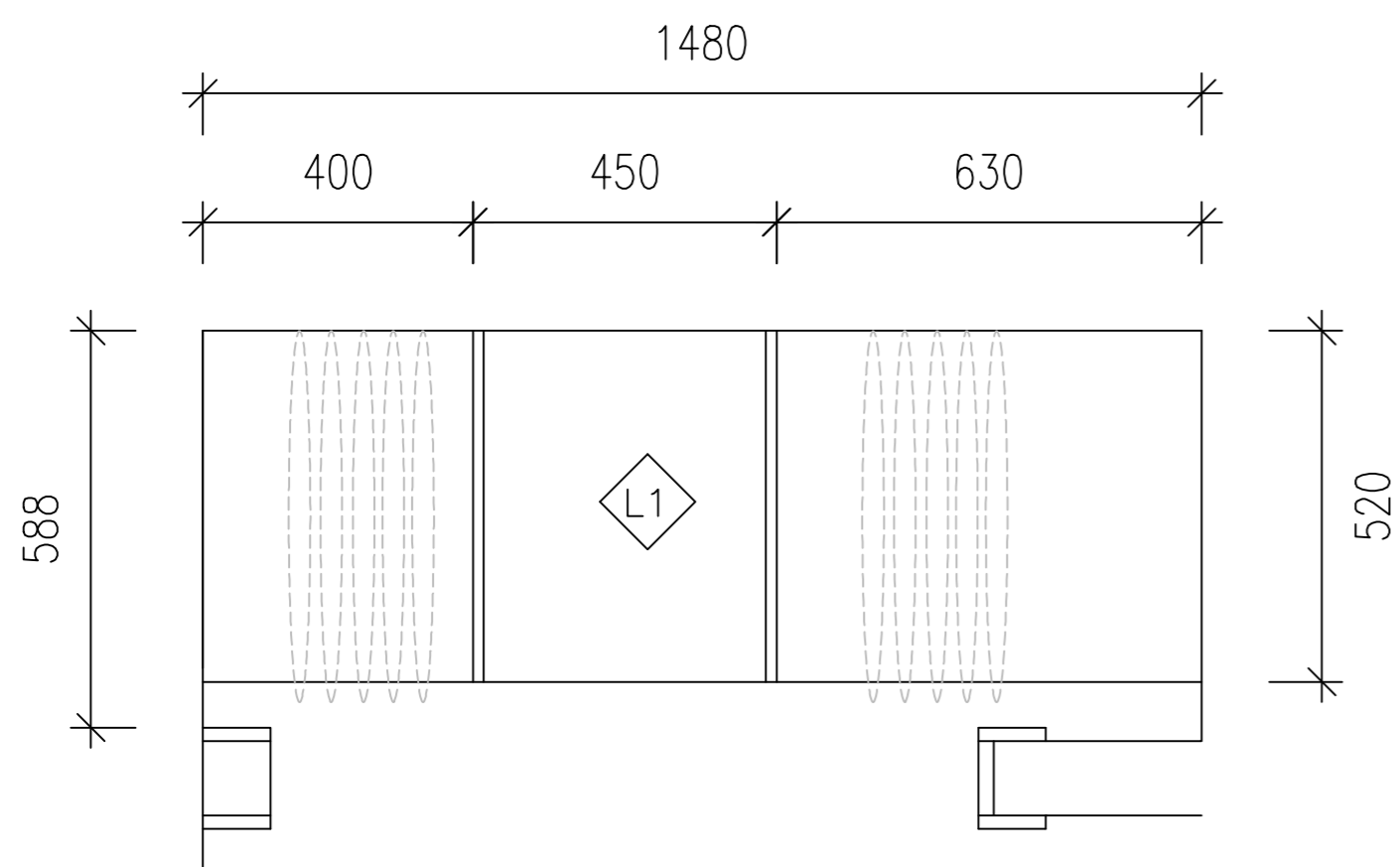
INTERNAL ELEVATION



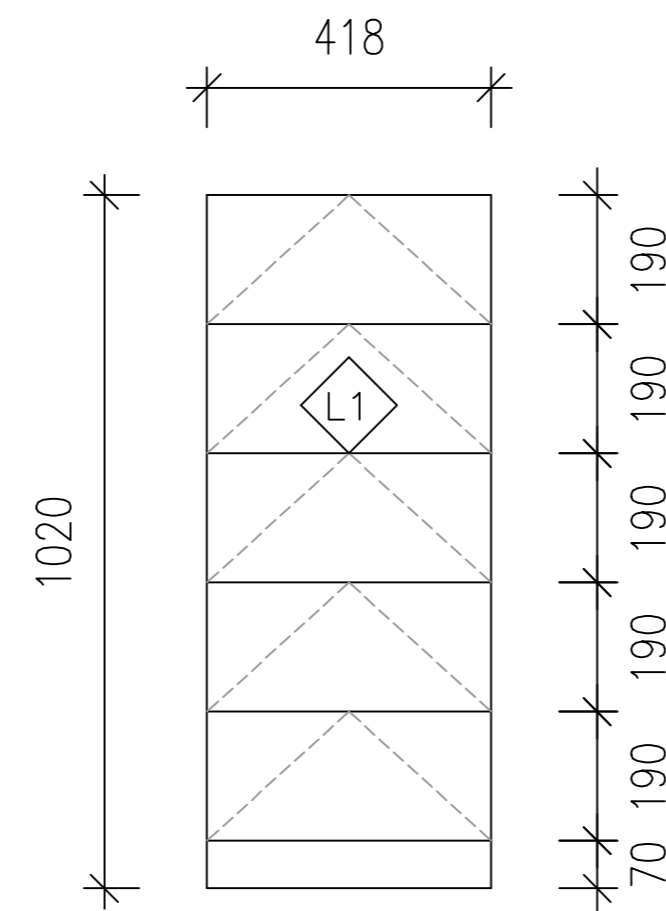
Open shelf unit front Elevation



Open shelf unit side Elevation



PLAN VIEW



FINISHES

 16mm WHITE MELAMINE

JO'S MAKEOVERS



PROJECT: 310 KOONANG RD
CARNEGIE

Drawing Title : BEDROOM ROBES

Date: 25/07/2025

Drawing No. A1

Revision : A

Drawn: AC

PLANS INSPECTED AND APPROVED FOR CONSTRUCTION

NAME _____

SIGNED _____

DATED / /