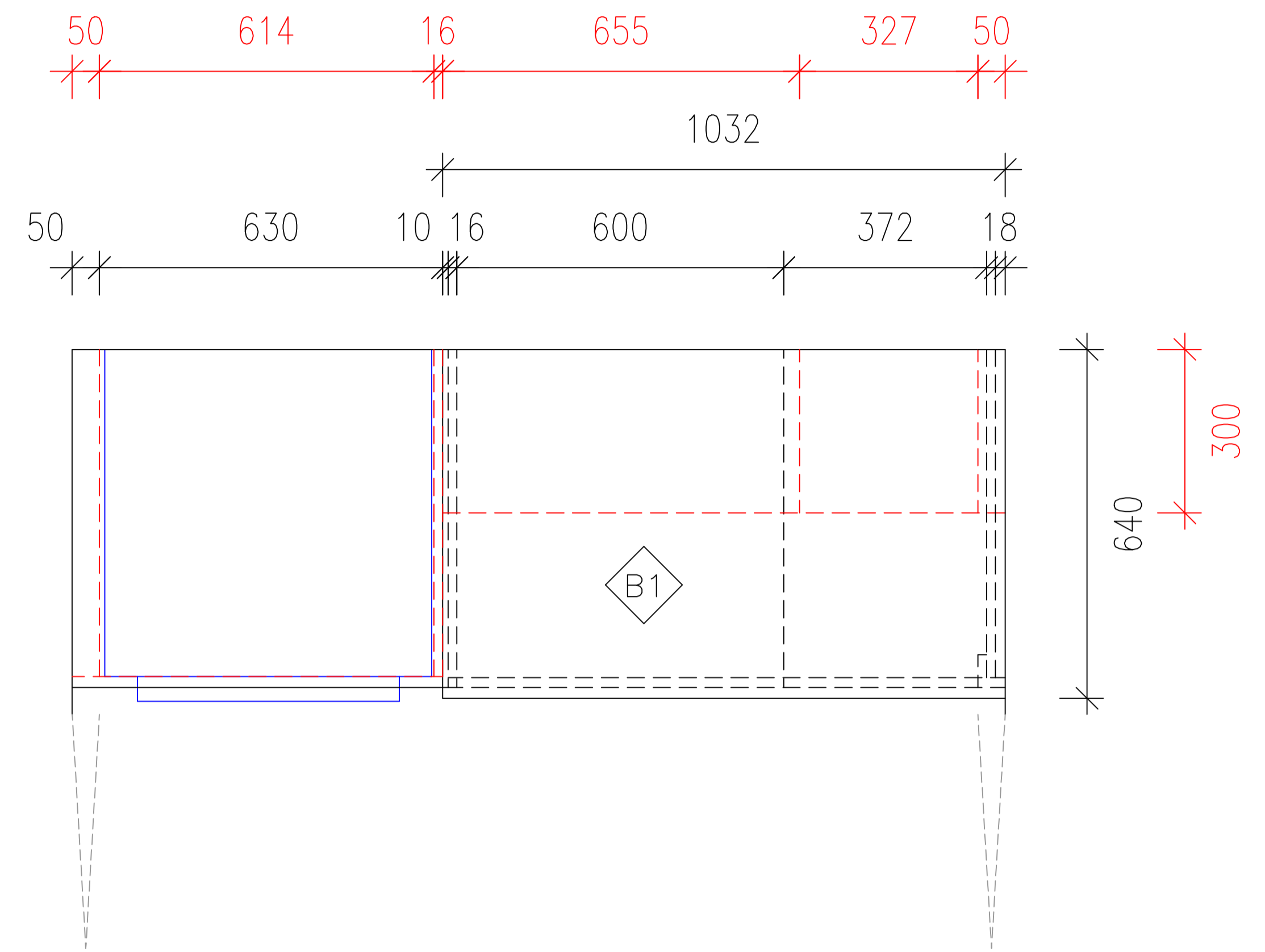


ELEVATION



PLAN VIEW

FINISHES

- B1 POLYTEC 40mm TIGHTFORM PRIME OAK BENCHTOP
- L1 POLYTEC 16mm PRIME OAK MATT COLOUR BOARD
- L2 POLYTEC 16mm CINDER MATT COLOUR BOARD
- H1 OHANDLE CAIRNS ZINC ALLOY MATT BLACK 128mmm

**JO'S
MAKEOVERS**



PROJECT: 15 HAWTHORN AVE
CAULFIELD NORTH

Drawing Title : LAUNDRY

Date: 08/06/2025

Drawing No. A1

Revision : Rev B

Drawn : AC

PLANS INSPECTED AND
APPROVED FOR CONSTRUCTION

NAME _____

SIGNED _____

DATED / /