

DAVICON Group
 admin@davicongroup.com
 Phone: 0433 261 558

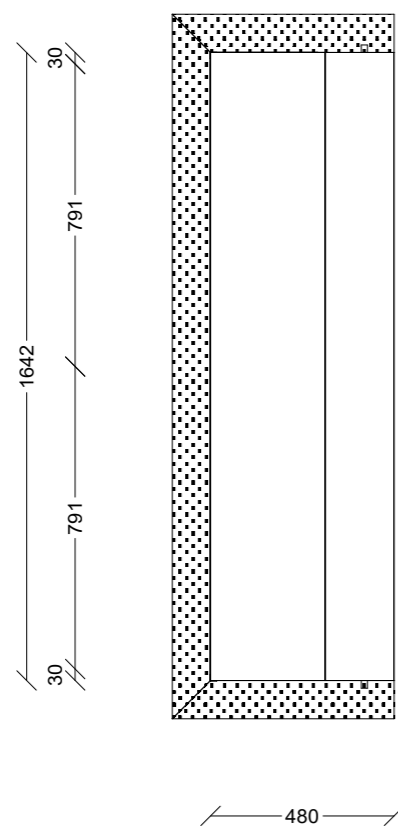
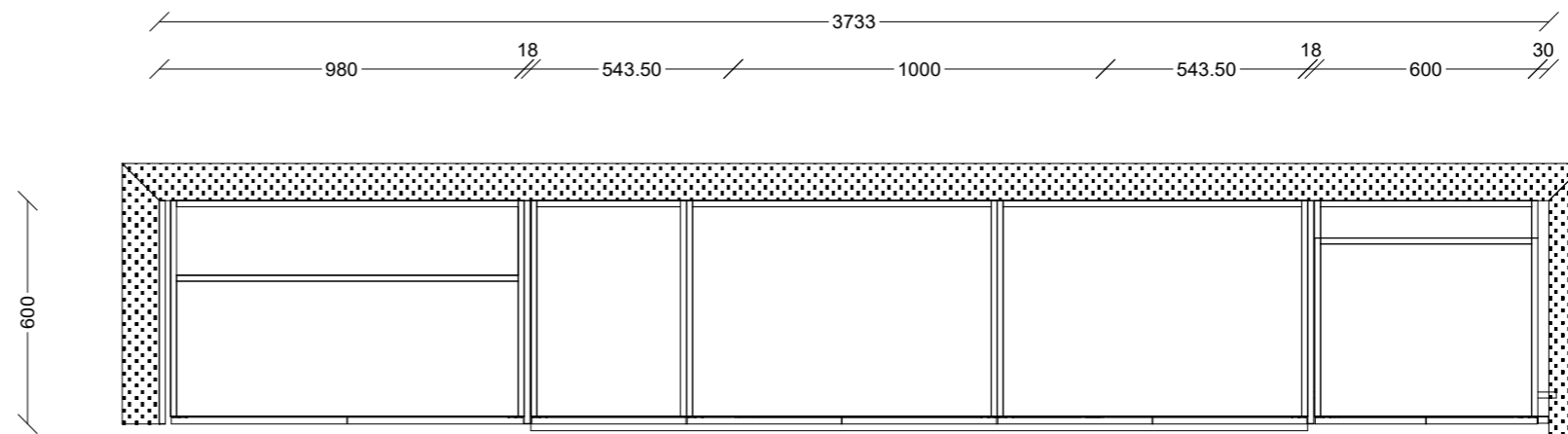


Approved
 Rejected (As Noted)

Name:		Title: Default	
Address: 17 Mudo street		Scale:	Date:
City: Rowville	State:	DWG. By:	Sheet #
Job #: Alain ROWVILLE			3D Sketch

Carcase: White
External Board: 18mm Paint grade satin.
Profile: Flat with **SHARK NOSE Finger Pull**
Colour: Dulux Lexicon Quarter 30%
Stone: AC Stone Twilight AC1002

Cooktop: BORA SKU: CKA2FIAB with HejaFlow Duct
Sink: Franke Maris MRG120-35MB-FPC
Tap: ZIP H5X783Z03AU
Dishwasher: Bosh SMT8ZC801A

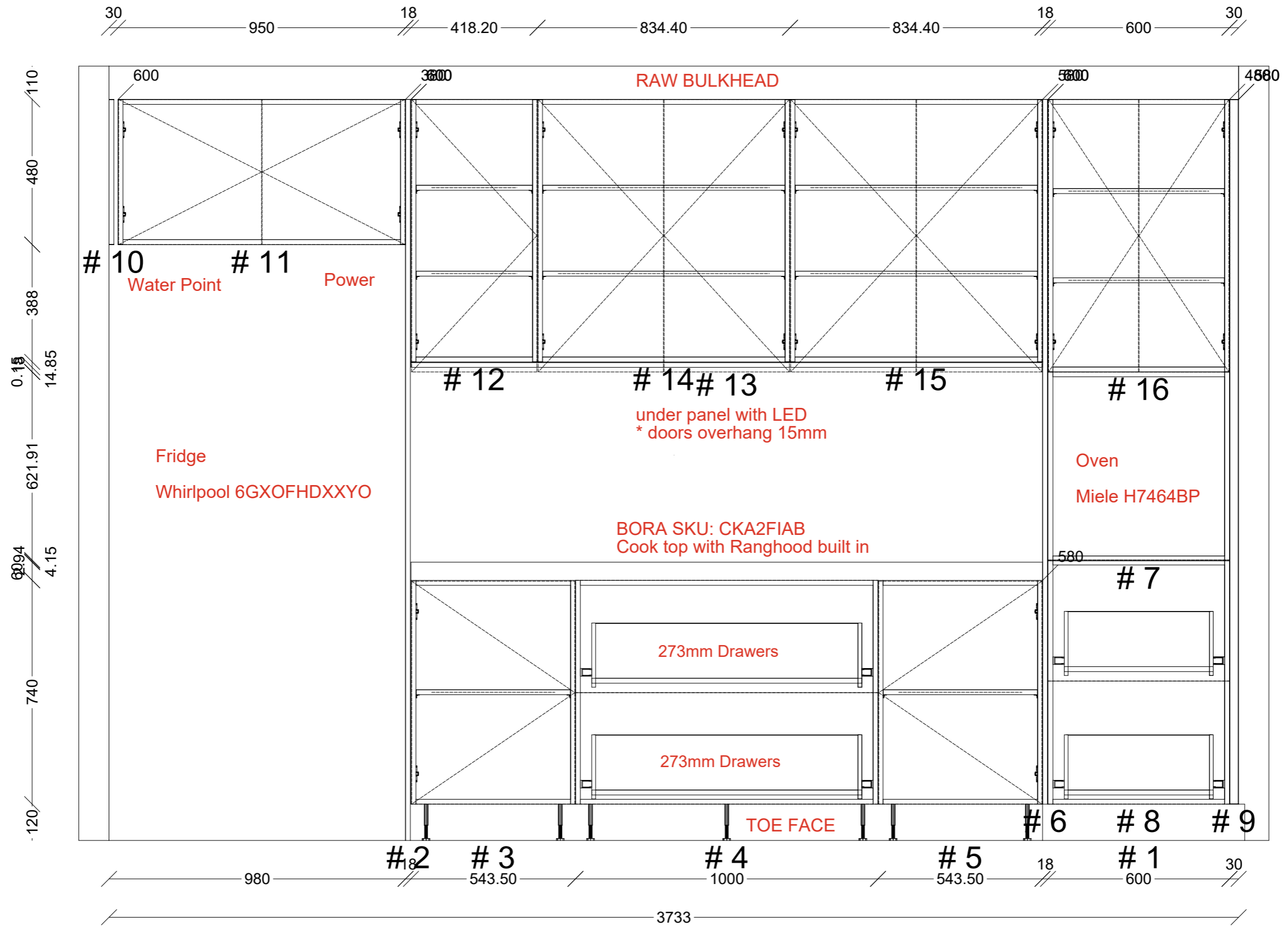


DAVICON Group
 admin@davicongroup.com
 Phone: 0433 261 558



Approved
 Rejected (As Noted)

Name:		Title: Default	
Address: 17 Mudo street		Scale:	Date:
City: Rowville	State:	DWG. By:	Sheet #
Job #: Alain ROWVILLE		Kitchen layout plan	

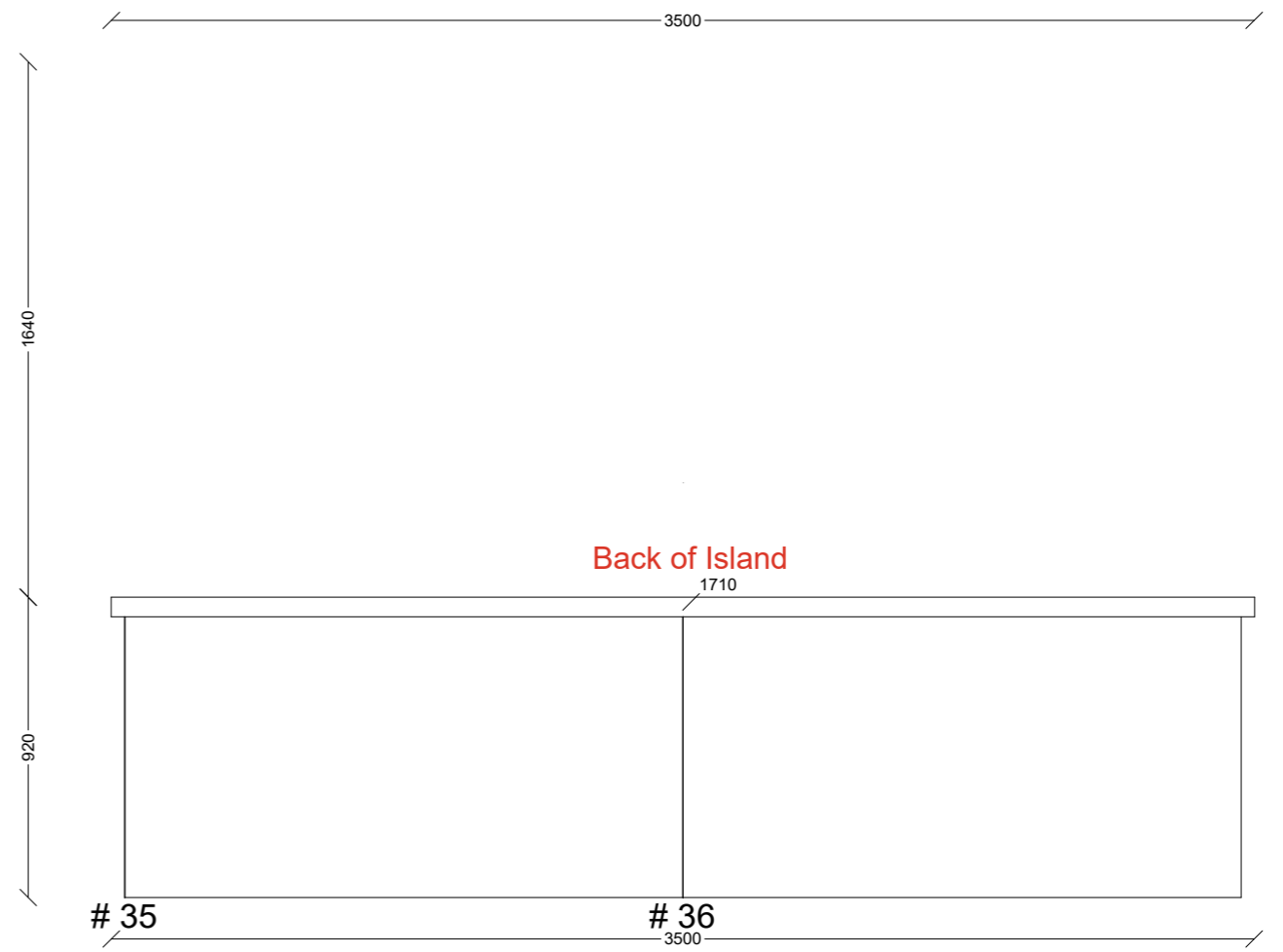
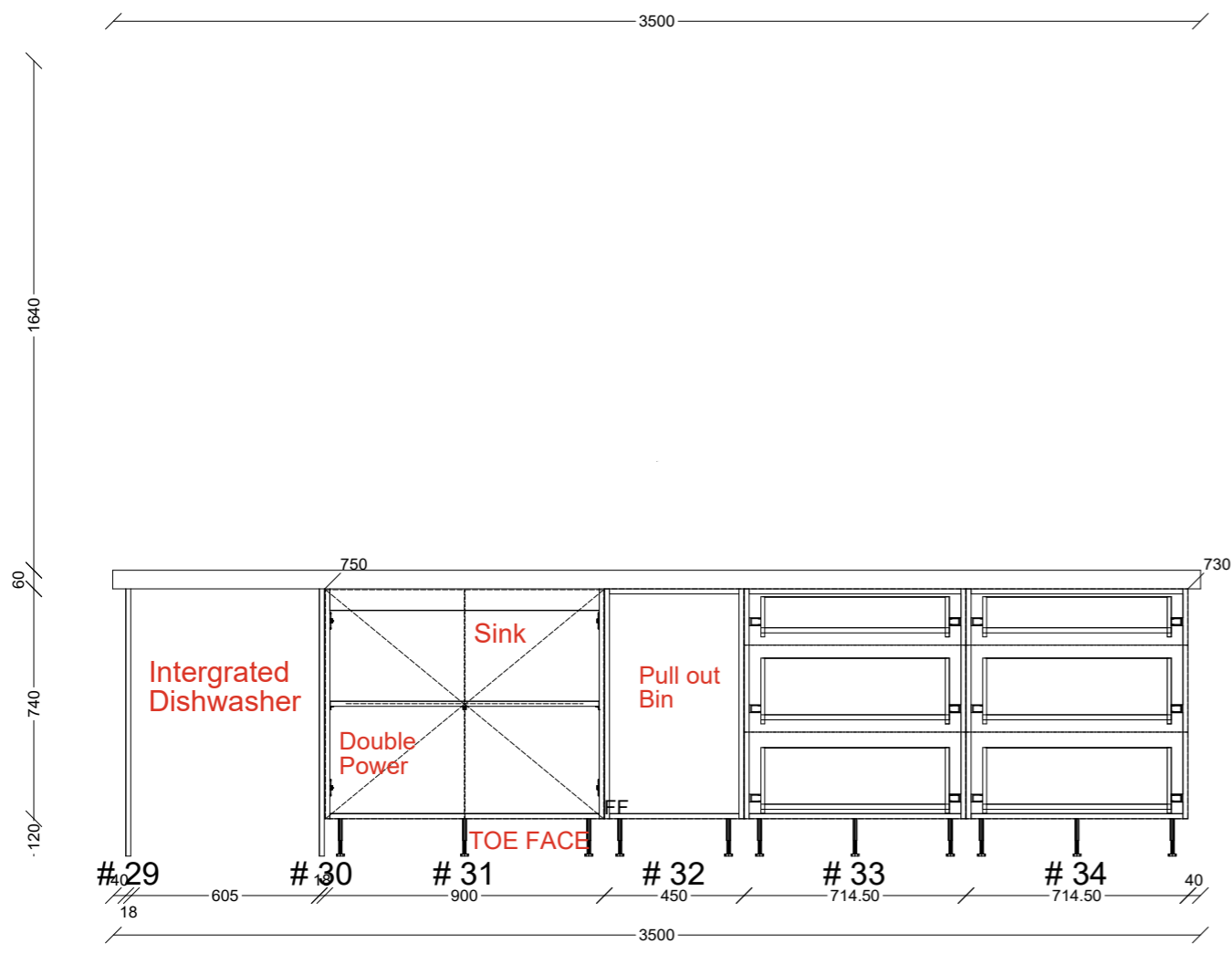


DAVICON Group
 admin@davicongroup.com
 Phone: 0433 261 558



Approved
 Rejected (As Noted)

Name:		Title: Default	
Address: 17 Mudo street		Scale:	Date:
City: Rowville	State:	DWG. By:	Sheet #
Job #: Alain ROWVILLE		Kitchen Elevation	

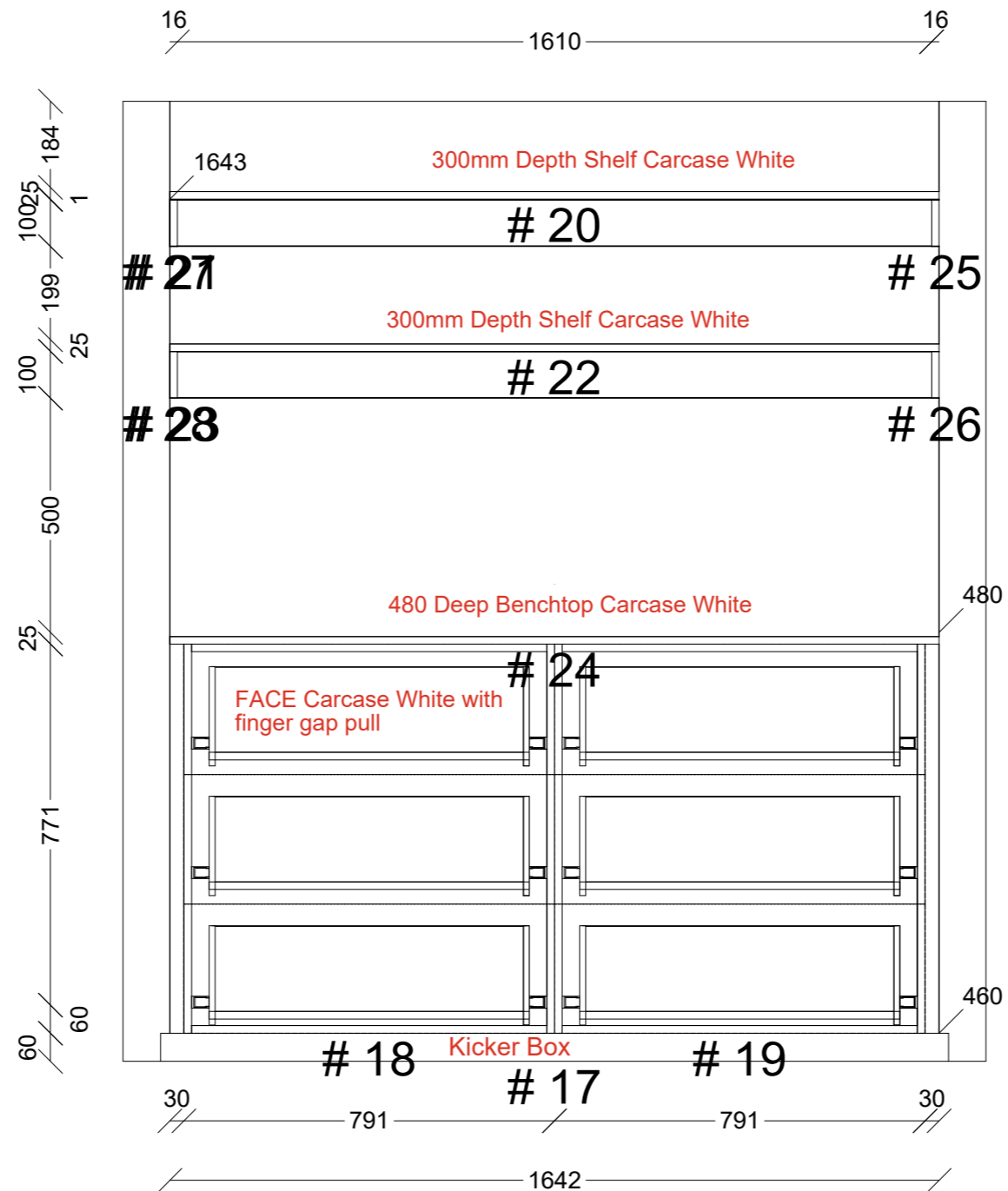


DAVICON Group
 admin@davicongroup.com
 Phone: 0433 261 558



Approved
 Rejected (As Noted)

Name:		Title: Default	
Address: 17 Mudo street		Scale:	Date:
City: Rowville	State:	DWG. By:	Sheet #
Job #: Alain ROWVILLE		Island Bench	



DAVICON Group
 admin@davicongroup.com
 Phone: 0433 261 558



Approved
 Rejected (As Noted)

Name:		Title: Default	
Address: 17 Mudo street		Scale:	Date:
City: Rowville	State:	DWG. By:	Sheet #
Job #: Alain ROWVILLE			Pantry

DAVICON Group
admin@davicongroup.com
Phone: 0433 261 558



Approved

Rejected (As Noted)

Name:		Title: Default	
Address: 17 Mudo street		Scale:	Date:
City: Rowville	State:	DWG. By:	Sheet #
Job #: Alain ROWVILLE			NOTES