



AI KITCHEN PERSPECTIVE 1
Scale: NTS



KITCHEN PERSPECTIVE 2 **AI**
Scale: NTS

DESIGNED BY
SHAI ZEEV
ABN: 47 640 715 279
6b Larman St, Bentleigh East 3165
Mob: 0407004576
E-mail: sales@thecabinetmerchant.com.au

PROJECT TITLE
HOME JOINERIES

CLIENT ADDRESS

CLIENT NAME
PETER HIGGINS

DESIGNED BY
SHAI ZEEV
ABN: 47 640 715 279
6b Larman St, Bentleigh East 3165
Mob: 0407004576
E-mail: sales@thecabinetmerchant.com.au

PROJECT TITLE
HOME JOINERIES

CLIENT ADDRESS

CLIENT NAME
PETER HIGGINS

THE
CABINET
MERCHANT



AI KITCHEN PERSPECTIVE 3
Scale: NTS



KITCHEN PERSPECTIVE 4 **AI**
Scale: NTS



DESIGNED BY
SHAI ZEEV
ABN: 47 640 715 279
6b Larman St, Bentleigh East 3165
Mob: 0407004576
E-mail: sales@thecabinetmerchant.com.au

PROJECT TITLE
HOME JOINERIES

CLIENT ADDRESS

CLIENT NAME
PETER HIGGINS

THE
CABINET
MERCHANT

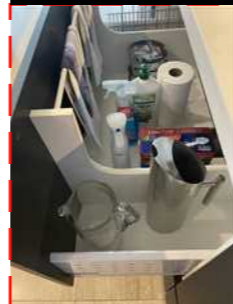


AI KITCHEN PERSPECTIVE 5
Scale: NTS



KITCHEN PERSPECTIVE 6 **AI**
Scale: NTS

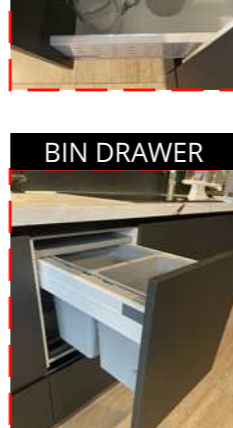
SINK INNER
DRAWER



BIN DRAWER



W/ INNER
DRAWER





AI FIREPLACE PERSPECTIVE
Scale: NTS

CLIENT NAME

PETER HIGGINS

CLIENT ADDRESS

PROJECT TITLE

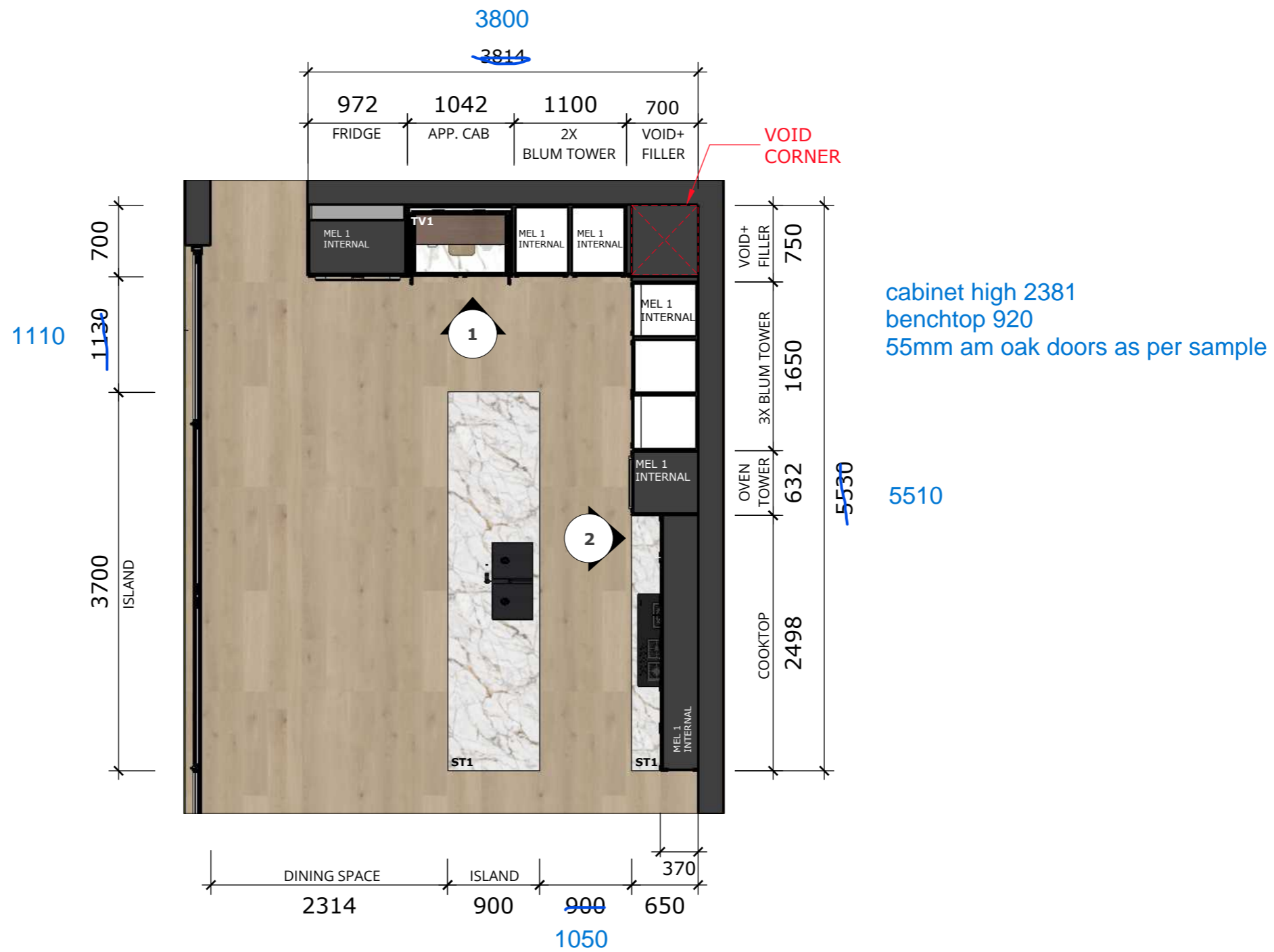
HOME JOINERIES

DESIGNED BY

SHAI ZEEV

ABN: 47 640 715 279
6b Larman St, Bentleigh East 3165
Mob: 0407004576
E-mail: sales@thecabinetmerchant.com.au

THE
CABINET
M E R C H A N T



A :: KITCHEN ELEVATION 1
001 scale: 1=50mm

DESIGNED BY
SHAI ZEEV
ABN: 47 640 715 279
6b Larman St, Bentleigh East 3165
Mob: 0407004576
E-mail: sales@thecabinetmerchant.com.au

PROJECT TITLE
HOME JOINERIES

CLIENT ADDRESS

CLIENT NAME
PETER HIGGINS

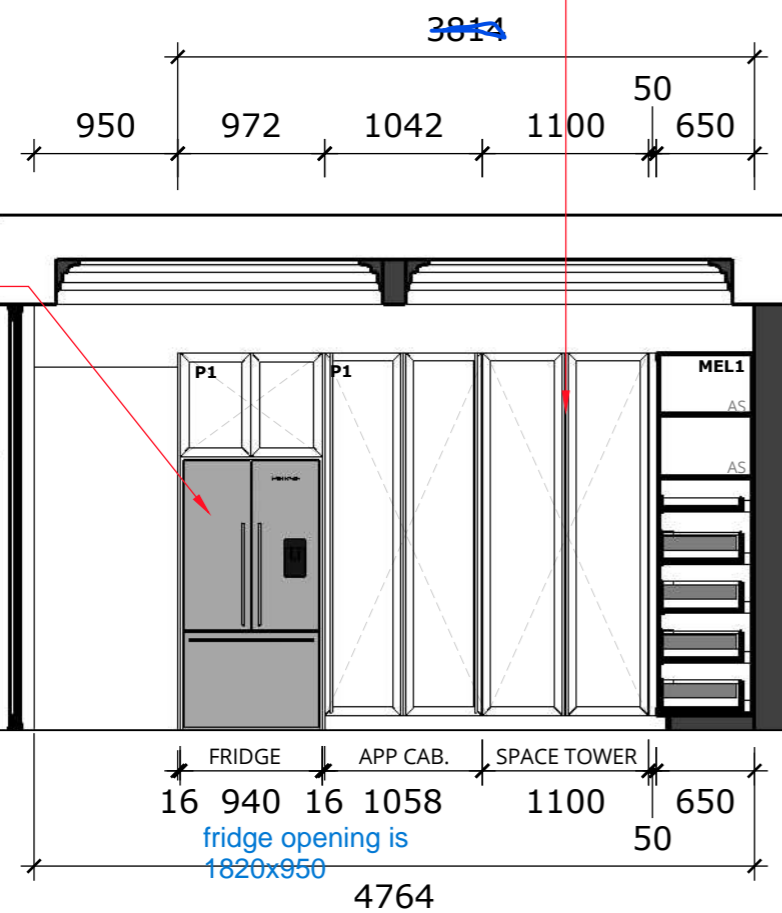
MATERIALS
CARCASE
- 16mm HMR MELAMINE WHITE
DOORS & DRAWER FACE
- (AMERICAN OAK CROWN CUT)
- SHAKER 55mm MITER CUT PENCIL ROUND JOIN

FINISHES
MEL 1 - 16mm HMR MELAMINE WHITE
P1 - ~~DULUX CHINA WHITE HALF MATT~~
TV1 - TIMBER VENEER WALNUT STAIN 10%
ST 1 - CALACATTA CREMO GOLD MARBLE

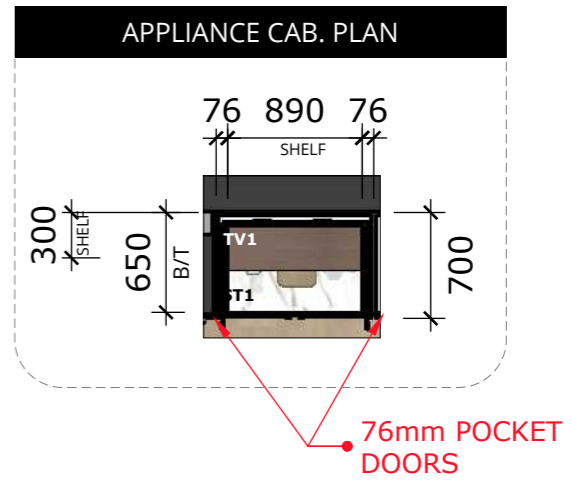
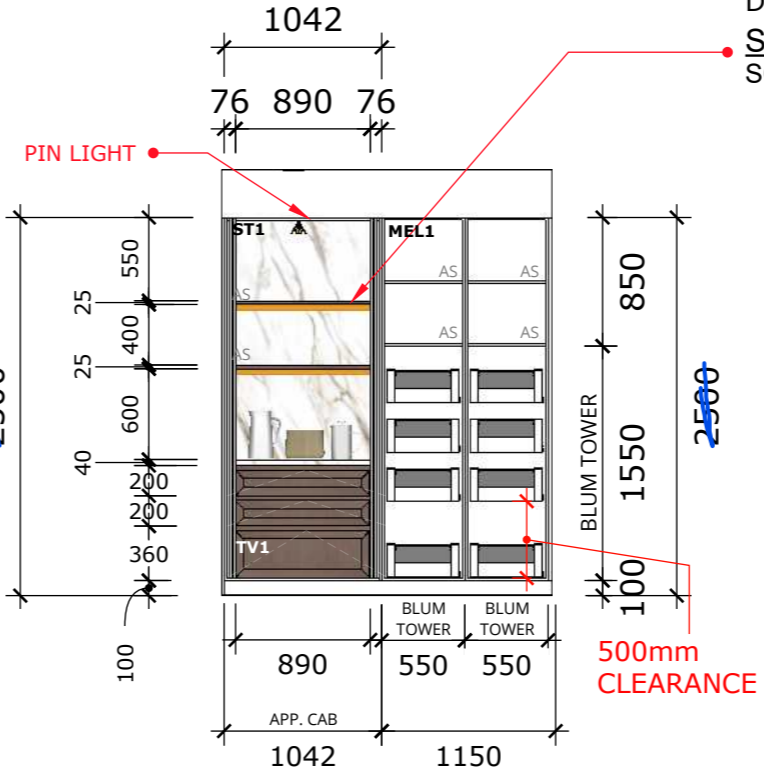
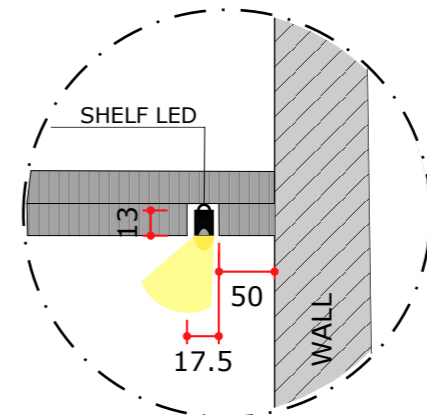
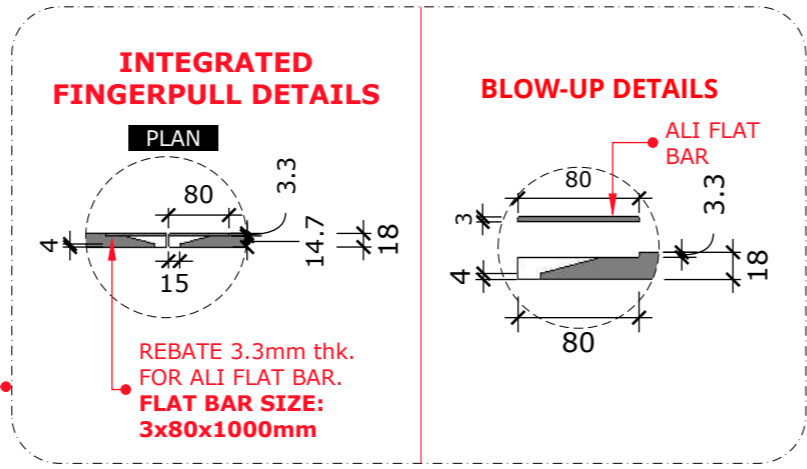
FIXTURES
dulux white on white
where brown facing do black carcass

DOOR PROFILE NOTES:
DOORS & DRAWER FACE
- (AMERICAN OAK CROWN CUT)
- SHAKER 55mm MITER CUT
PENCIL ROUND JOIN

OTHER NOTES:
EXACT PLACEMENT OF JOINERY KNOBS & HANDLES TO BE CONFIRMED ON SITE BY DESIGNER PRIOR TO INSTALLATION.



A :: KITCHEN ELEVATION 1
 001 scale: 1=50mm



MATERIALS
 CARCASE
 - 16mm HMR MELAMINE WHITE
 DOORS & DRAWER FACE
 - (AMERICAN OAK CROWN CUT)
 - SHAKER 55mm MITER CUT PENCIL ROUND JOIN

FINISHES
 MEL1 - 16mm HMR MELAMINE WHITE
 P1 - DULUX CHINA WHITE HALF MATT
 TV1 - TIMBER VENEER WALNUT STAIN 10%
 ST1 - CALACATTA CREMO GOLD MARBLE

FIXTURES

DOOR PROFILE NOTES:
 DOORS & DRAWER FACE
 - (AMERICAN OAK CROWN CUT)
 - SHAKER 55mm MITER CUT
 PENCIL ROUND JOIN

OTHER NOTES:
 EXACT PLACEMENT OF JOINERY KNOBS & HANDLES TO BE CONFIRMED ON SITE BY DESIGNER PRIOR TO INSTALLATION.

DESIGNED BY
 SHAI ZEEV
 ABN: 47 640 715 279
 6b Larman St, Bentleigh East 3165
 Mob: 0407004576
 E-mail: sales@thecabinetmerchant.com.au

PROJECT TITLE
 HOME JOINERIES

CLIENT ADDRESS

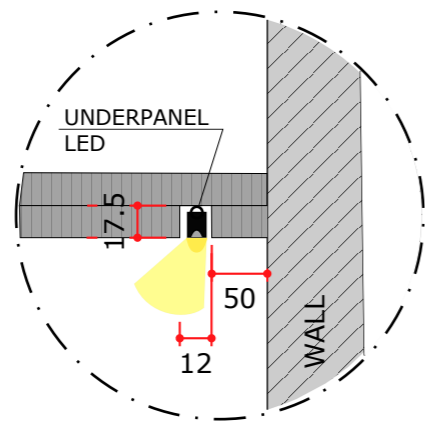
CLIENT NAME
 PETER HIGGINS

DESIGNED BY
SHAI ZEEV
ABN: 47 640 715 279
6b Larman St, Bentleigh East 3165
Mob: 0407004576
E-mail: sales@thecabinetmerchant.com.au

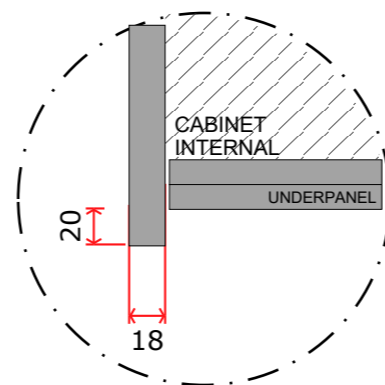
PROJECT TITLE
HOME JOINERIES

CLIENT ADDRESS

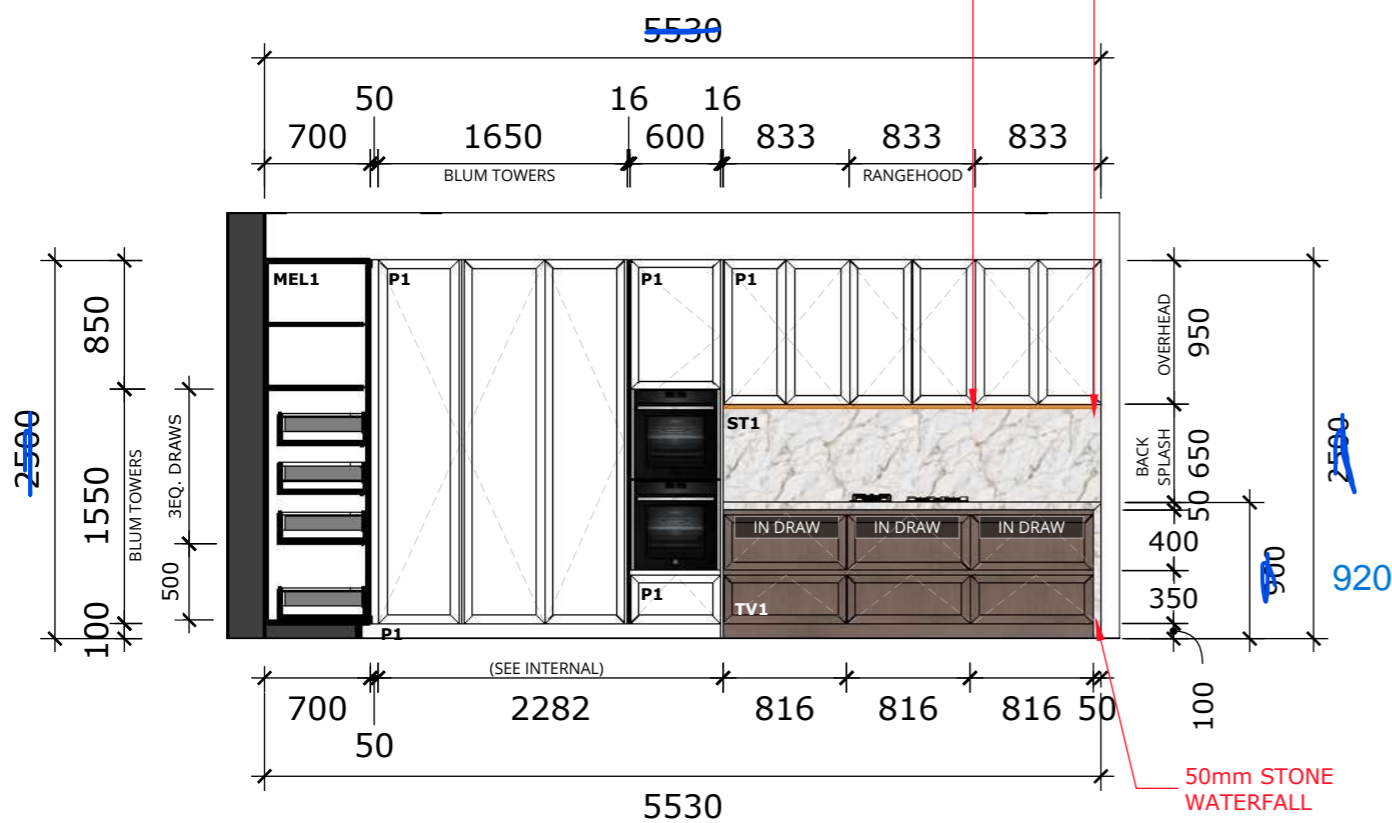
CLIENT NAME
PETER HIGGINS



DET. 01
UNDERPANEL LED
SCALE: 1:10

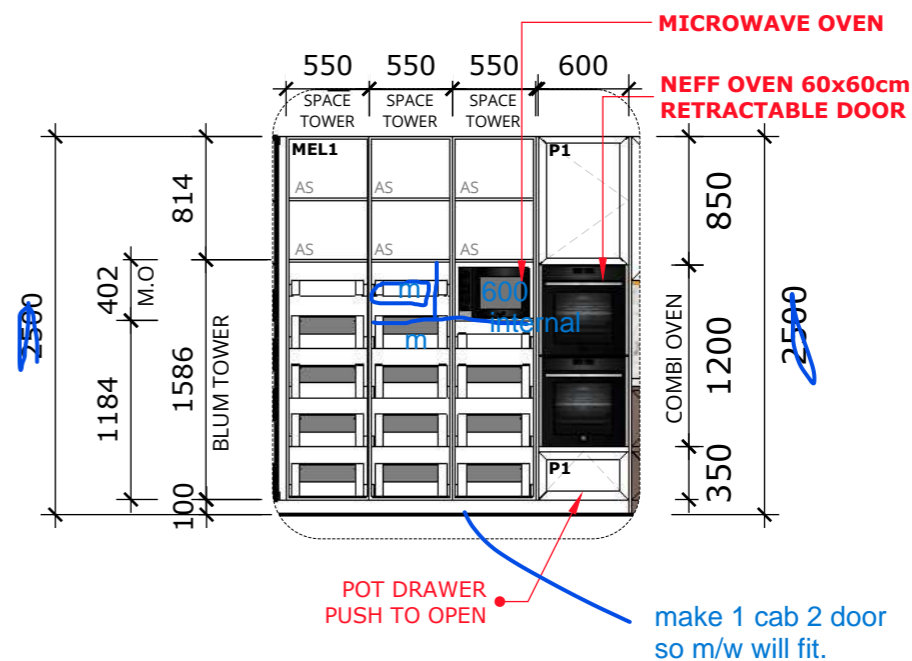


DET. 02
OVERHANGING HANDLE
SCALE: 1:5



A :: KITCHEN ELEVATION 2
001 scale: 1=50mm

BLUM TOWER / OVEN TOWER INTERNAL



A :: BLUM TOWER & OVEN TOWER INTERNAL
002 scale: 1=50mm

MATERIALS
CARCASE
- 16mm HMR MELAMINE WHITE
DOORS & DRAWER FACE
- (AMERICAN OAK CROWN CUT)
- SHAKER 55mm MITER CUT PENCIL ROUND JOIN

FINISHES
MEL1 - 16mm HMR MELAMINE WHITE
P1 - DULUX CHINA WHITE HALF MATT
TV1 - TIMBER VENEER WALNUT STAIN 10%
ST1 - CALACATTA CREMO GOLD MARBLE

FIXTURES

DOOR PROFILE NOTES:
DOORS & DRAWER FACE
- (AMERICAN OAK CROWN CUT)
- SHAKER 55mm MITER CUT
PENCIL ROUND JOIN

OTHER NOTES:
EXACT PLACEMENT OF JOINERY KNOBS & HANDLES TO BE CONFIRMED ON SITE BY DESIGNER PRIOR TO INSTALLATION.

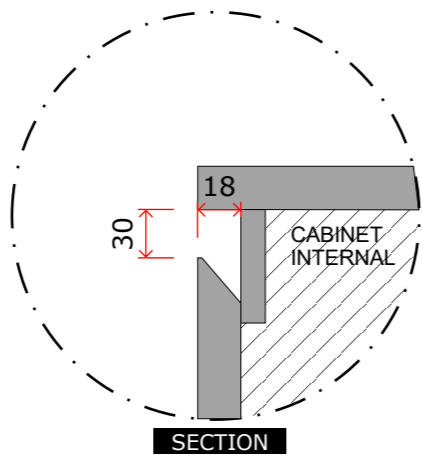
DESIGNED BY
SHAI ZEEV
ABN: 47 640 715 279
6b Larman St, Bentleigh East 3165
Mob: 0407004576
E-mail: sales@thecabinetmerchant.com.au

PROJECT TITLE
HOME JOINERIES

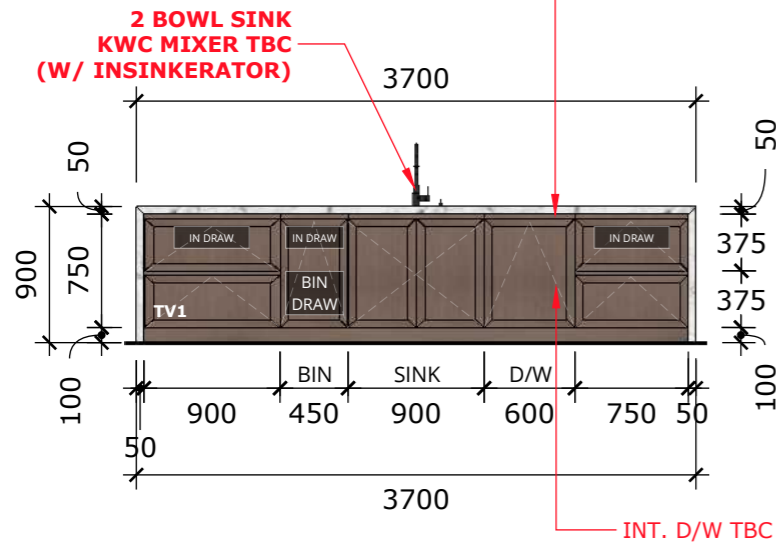
CLIENT ADDRESS

CLIENT NAME
PETER HIGGINS

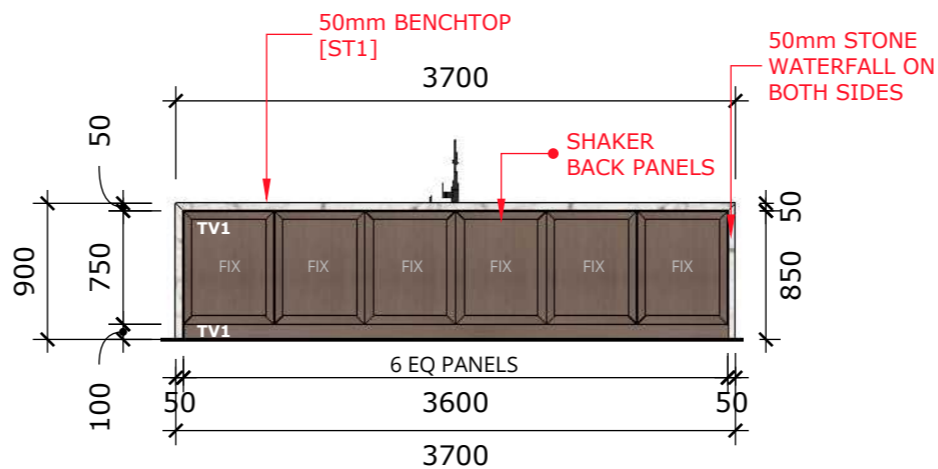
THE CABINET MERCHANT



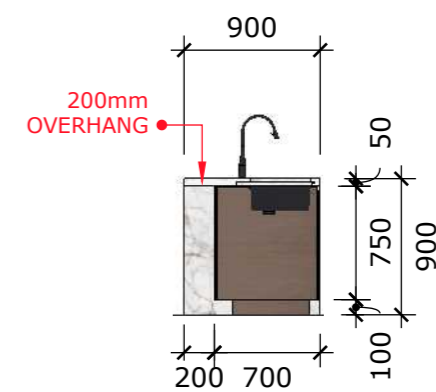
DET. 05
FINGERPULL HANDLE
SCALE: 1:5



A :: ISLAND FRONT ELEV
001 scale: 1=50mm



A :: ISLAND REAR ELEV
002 scale: 1=50mm



A :: ISLAND SECTION
003 scale: 1=50mm

MATERIALS

CARCASE
- 16mm HMR MELAMINE WHITE

DOORS & DRAWER FACE
- (AMERICAN OAK CROWN CUT)
- SHAKER 55mm MITER CUT PENCIL ROUND JOIN

FINISHES

MEL1 - 16mm HMR MELAMINE WHITE
P1 - DULUX CHINA WHITE HALF MATT
TV1 - TIMBER VENEER WALNUT STAIN 10%
ST1 - CALACATTA CREMO GOLD MARBLE

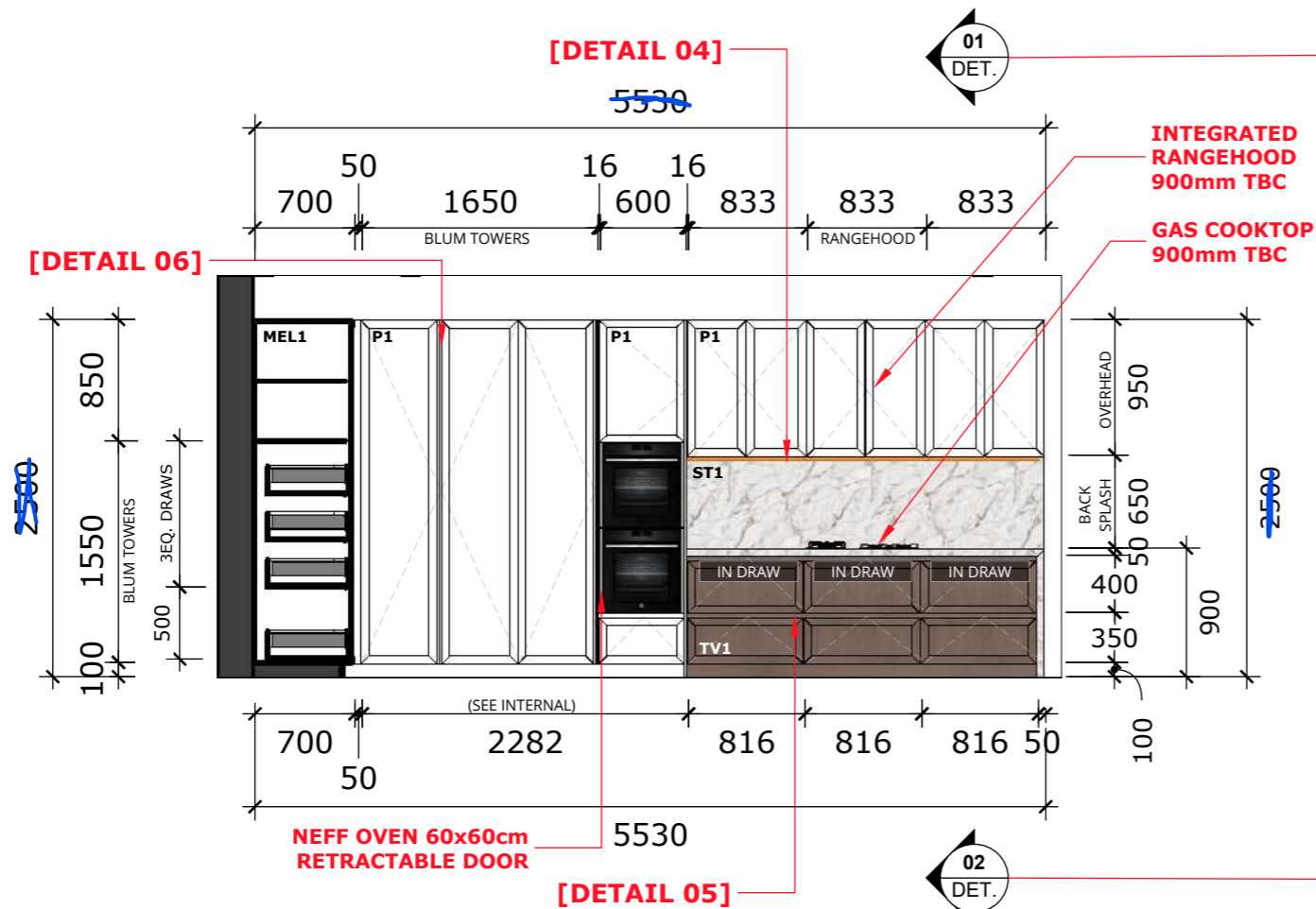
FIXTURES

DOOR PROFILE NOTES:

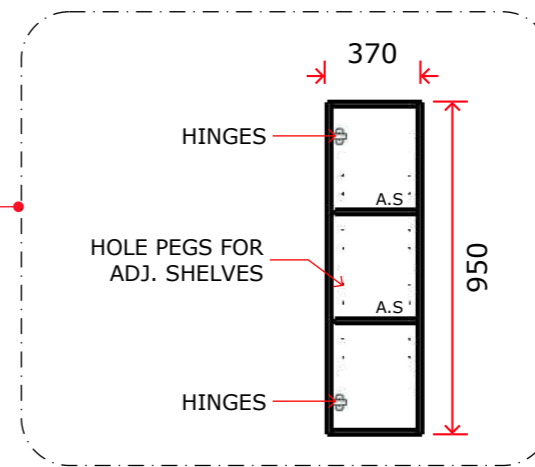
DOORS & DRAWER FACE
- (AMERICAN OAK CROWN CUT)
- SHAKER 55mm MITER CUT
PENCIL ROUND JOIN

OTHER NOTES:

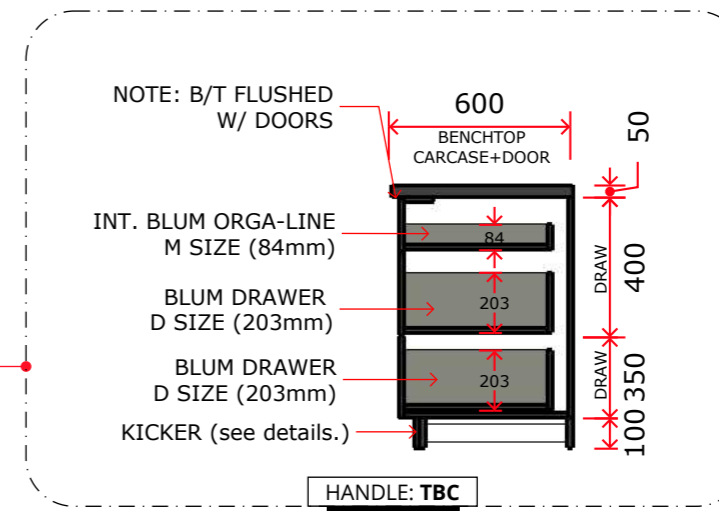
EXACT PLACEMENT OF JOINERY KNOBS & HANDLES TO BE CONFIRMED ON SITE BY DESIGNER PRIOR TO INSTALLATION.



A :: KITCHEN ELEVATION 2
001 scale: 1=50mm

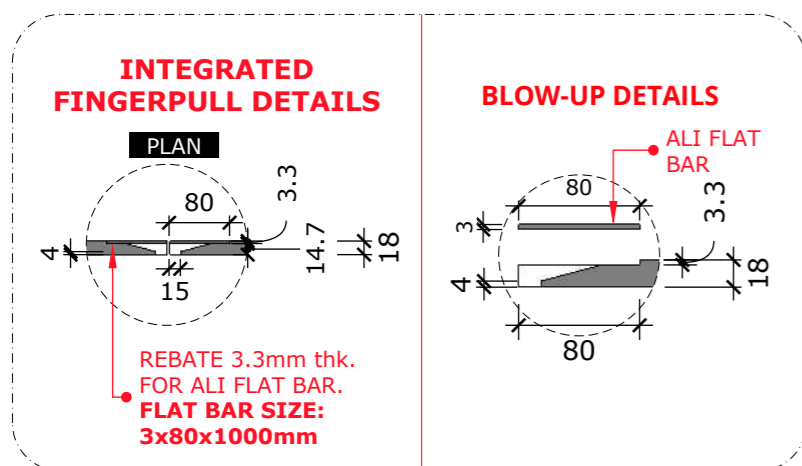


DET. 01
OVERHEAD SECTION
SCALE: 1:25

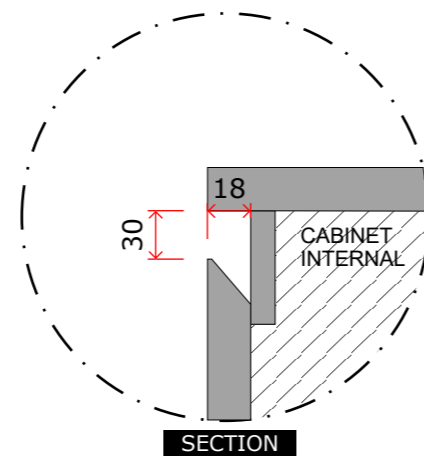


DET. 01
BASE CAB. DRAWS SECTION
SCALE: 1:25

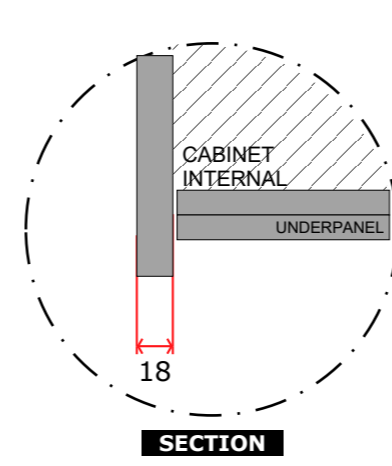
rouT 3.5mm deep to allow for ali to be veneered



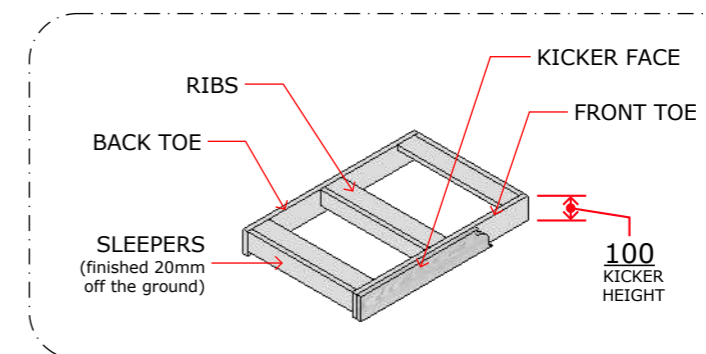
DET. 06
VERTICAL FINGERPULL HANDLE
SCALE: 1:5



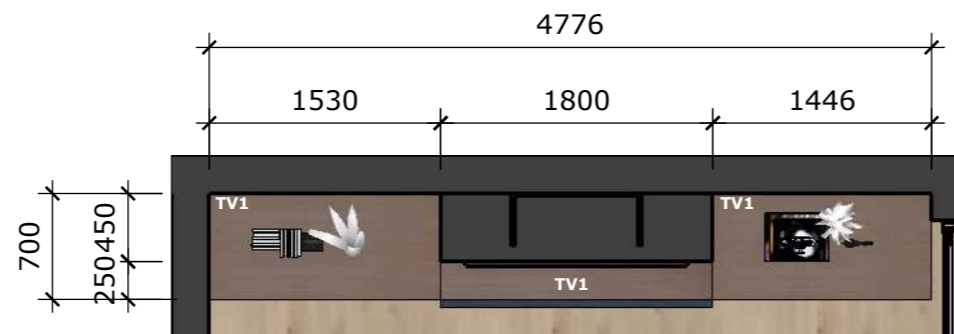
DET. 05
FINGERPULL HANDLE
SCALE: 1:5



DET. 04
OVERHANGING HANDLE
SCALE: 1:5



DET. 03
KICKER DETAILS
SCALE: 1:25

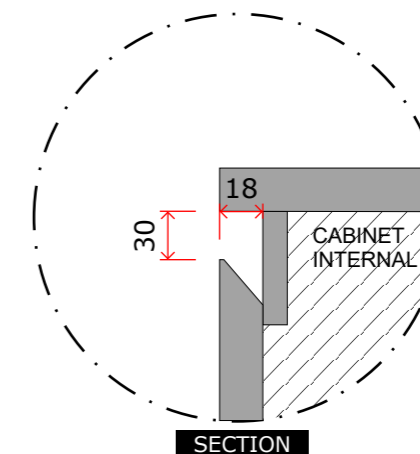


ali plate join
3.5mm deep

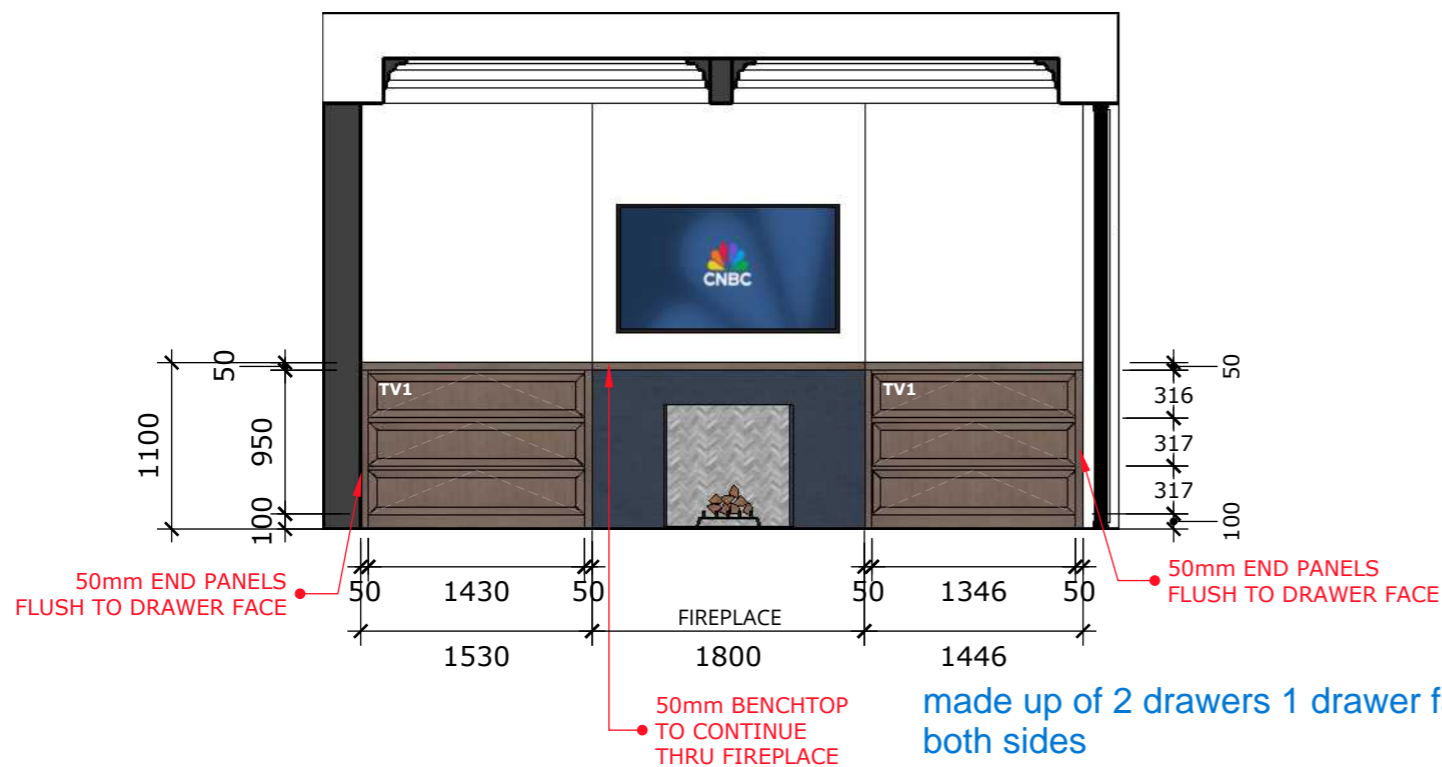
ali plate join 3.5mm deep

A :: FIREPLACE PLAN

001 scale: 1=50mm



DET. 05
FINGERPULL HANDLE
SCALE: 1:5



A :: FIREPLACE FRONT ELEV.

002 scale: 1=50mm

A :: FIREPLACE SECTION

003 scale: 1=50mm

DESIGNED BY
SHAI ZEEV
ABN: 47 640 715 279
6b Larman St, Bentleigh East 3165
Mob: 0407004576
E-mail: sales@thecabinetmerchant.com.au

PROJECT TITLE
HOME JOINERIES

CLIENT ADDRESS

CLIENT NAME
PETER HIGGINS

MATERIALS

CARCASE
- 16mm HMR MELAMINE WHITE

DOORS & DRAWER FACE
- (AMERICAN OAK CROWN CUT)
- SHAKER 55mm MITER CUT PENCIL ROUND JOIN

FINISHES

MEL1 - 16mm HMR MELAMINE WHITE
P1 - DULUX CHINA WHITE HALF MATT
TV1 - TIMBER VENEER WALNUT STAIN 10%
ST1 - CALACATTA CREMO GOLD MARBLE

FIXTURES

DOOR PROFILE NOTES:

DOORS & DRAWER FACE
- (AMERICAN OAK CROWN CUT)
- SHAKER 55mm MITER CUT
PENCIL ROUND JOIN

OTHER NOTES:

EXACT PLACEMENT OF JOINERY KNOBS & HANDLES TO BE CONFIRMED ON SITE BY DESIGNER PRIOR TO INSTALLATION.