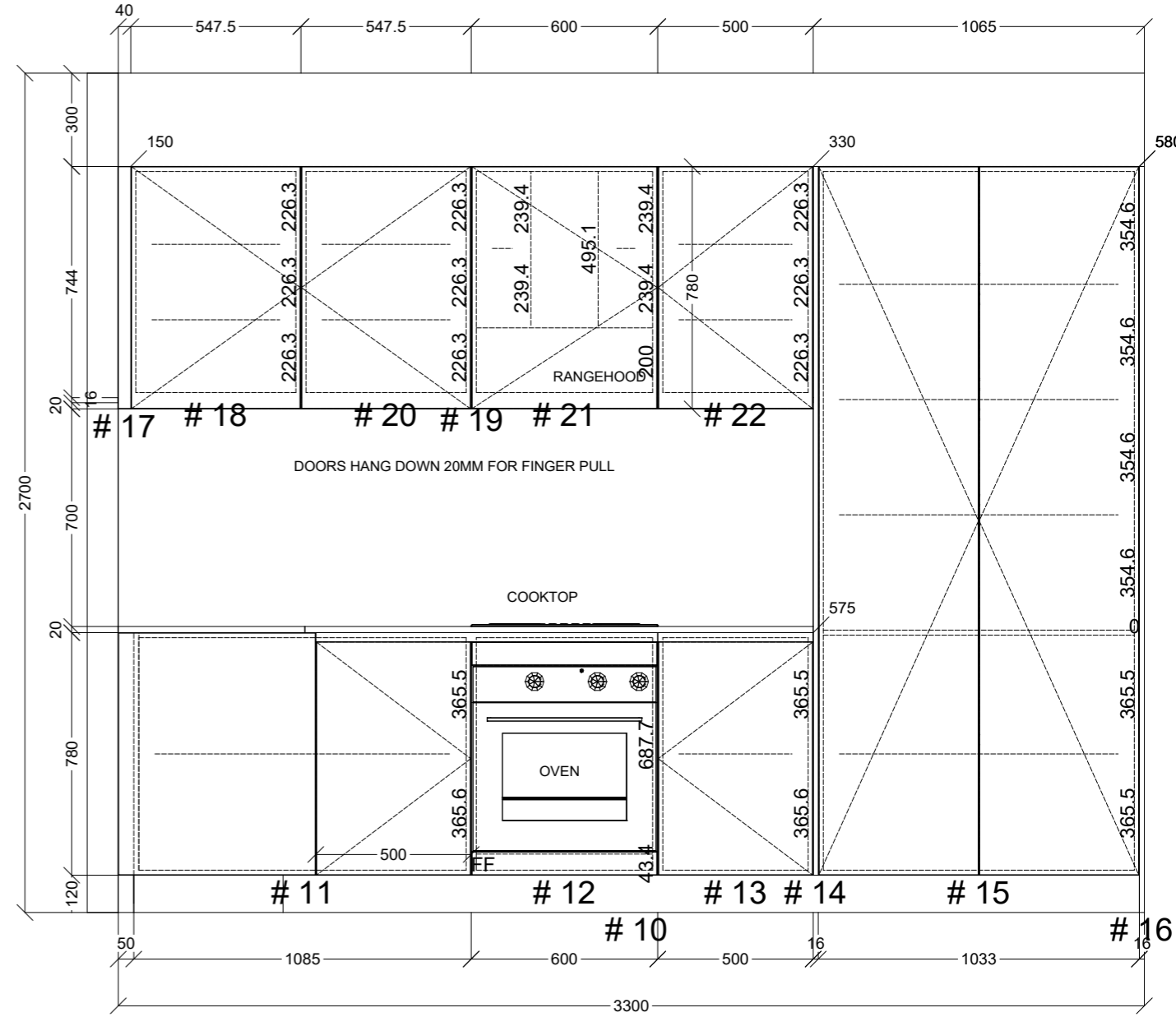
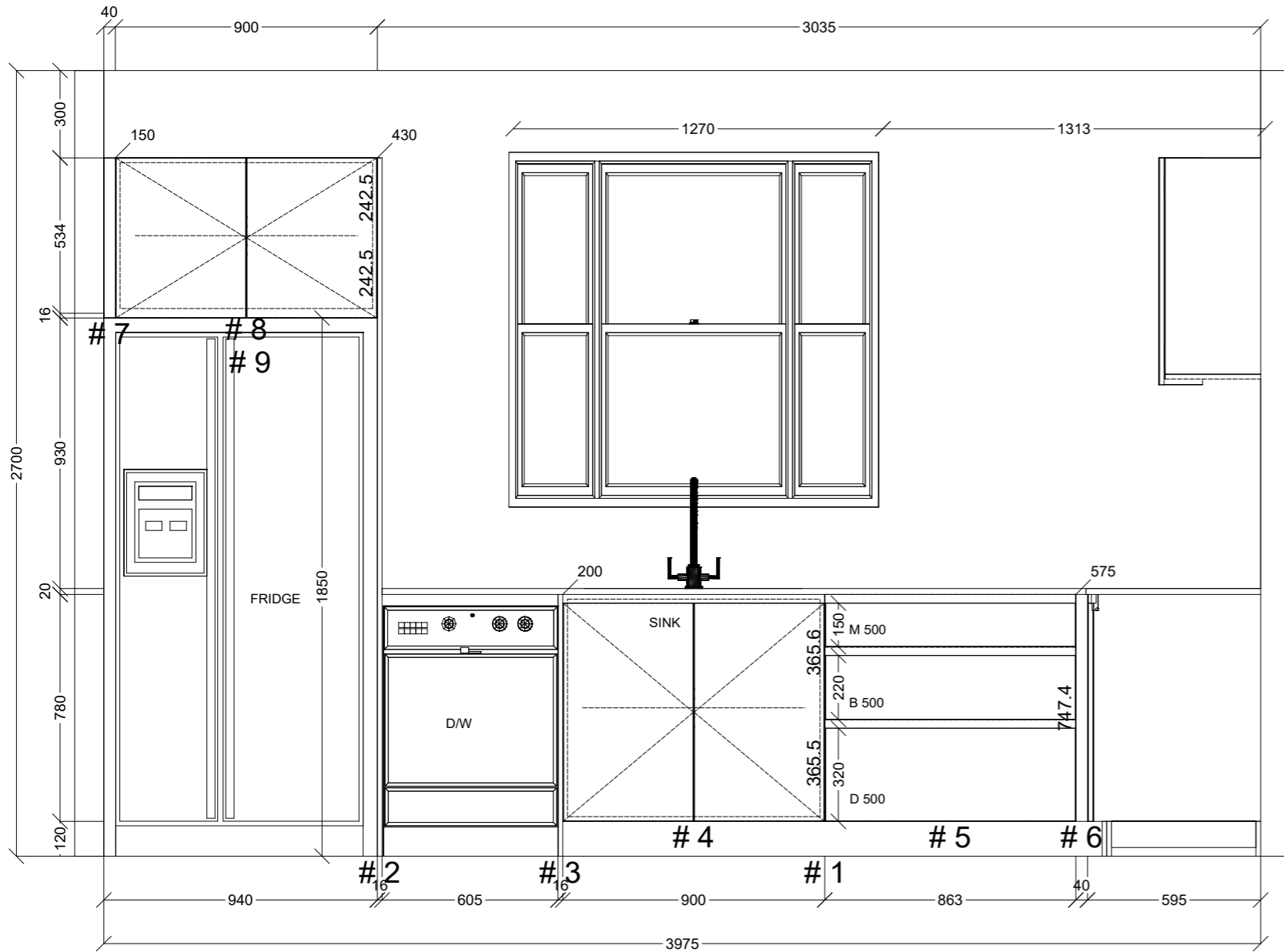

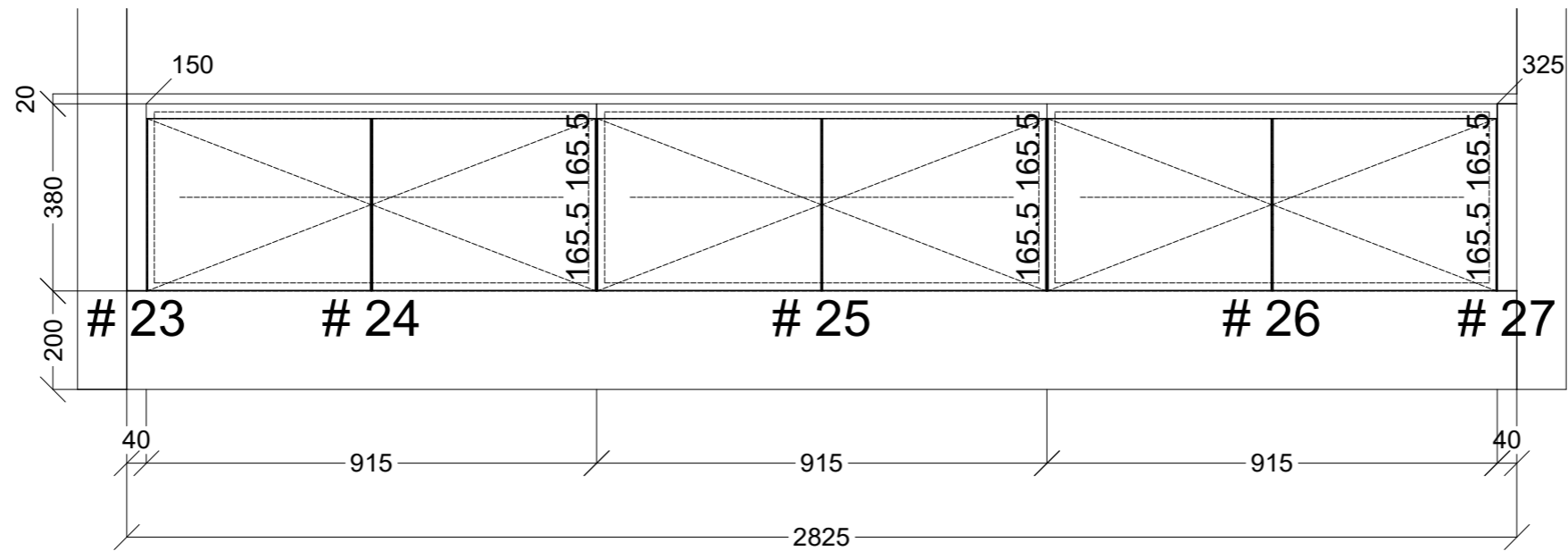
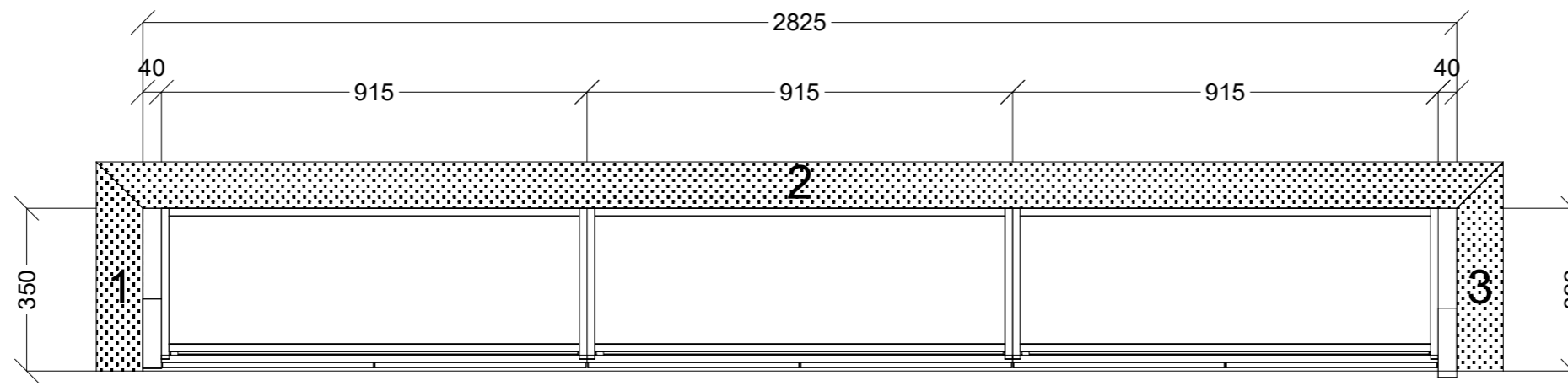


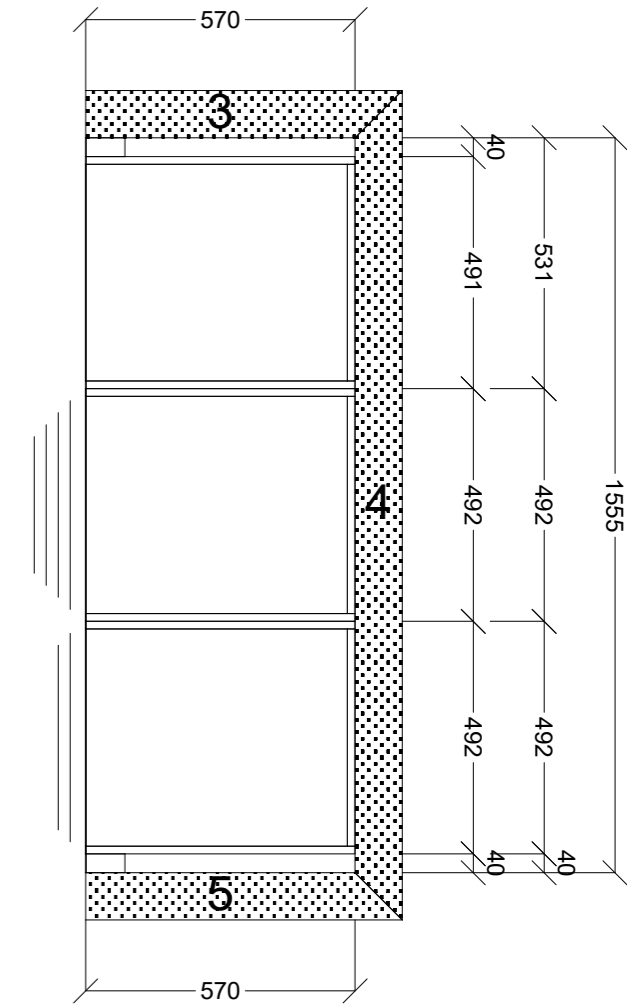
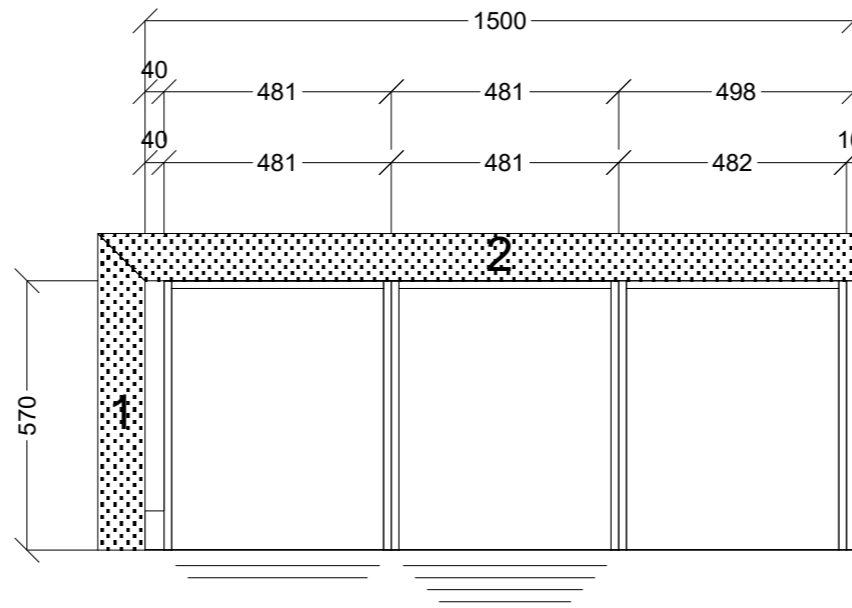
	Client: BCC	Door and panels style/colour: BLOSSOM WHITE MATT			Sheet 1 of 7
	Room: KITCHEN	Benchtop Colour: 20MM AC STONE STANDARD RANGE	Drawer slides: ALTO SLIMS		Carcass: WHITE HMR
	Date: 06/09/25	Address: U1 376 MAROONDAH HWY RINGWOOD	Handles Item No: 45' FINGER PULL		Approved by:




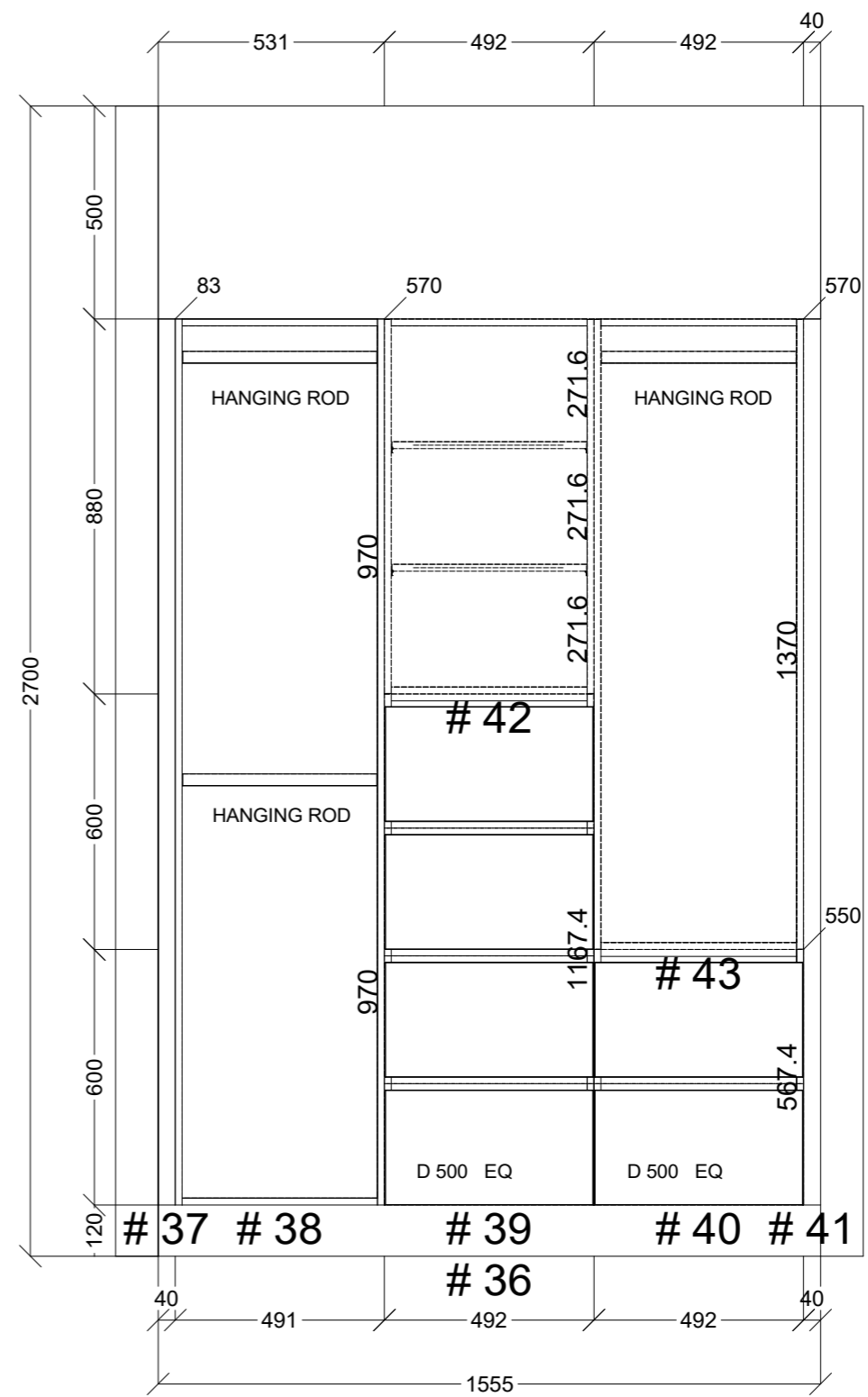
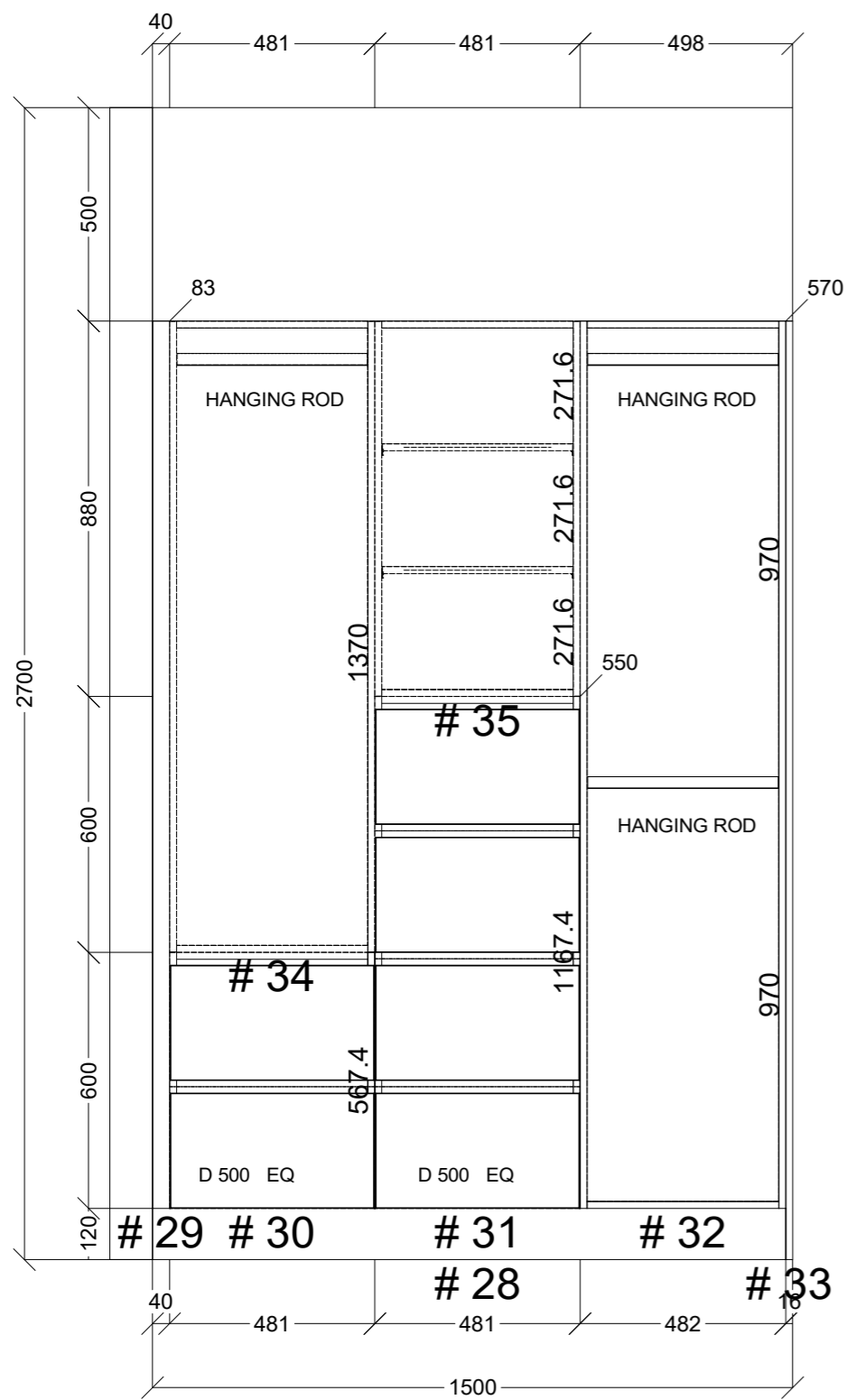
	Client: BCC		Door and panels style/colour: BLOSSOM WHITE MATT		Sheet 2 of 7
	Room: KITCHEN	Benchtop Colour: 20MM AC STONE STANDARD RANGE		Drawer slides: ALTO SLIMS	Carcass: WHITE HMR
	Date: 06/09/25	Address: U1 376 MAROONDAH HWY RINGWOOD	Handles Item No: 45' FINGER PULL		Approved by:




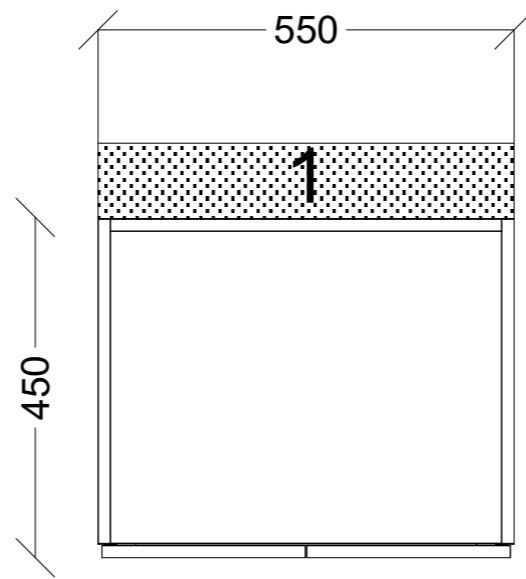
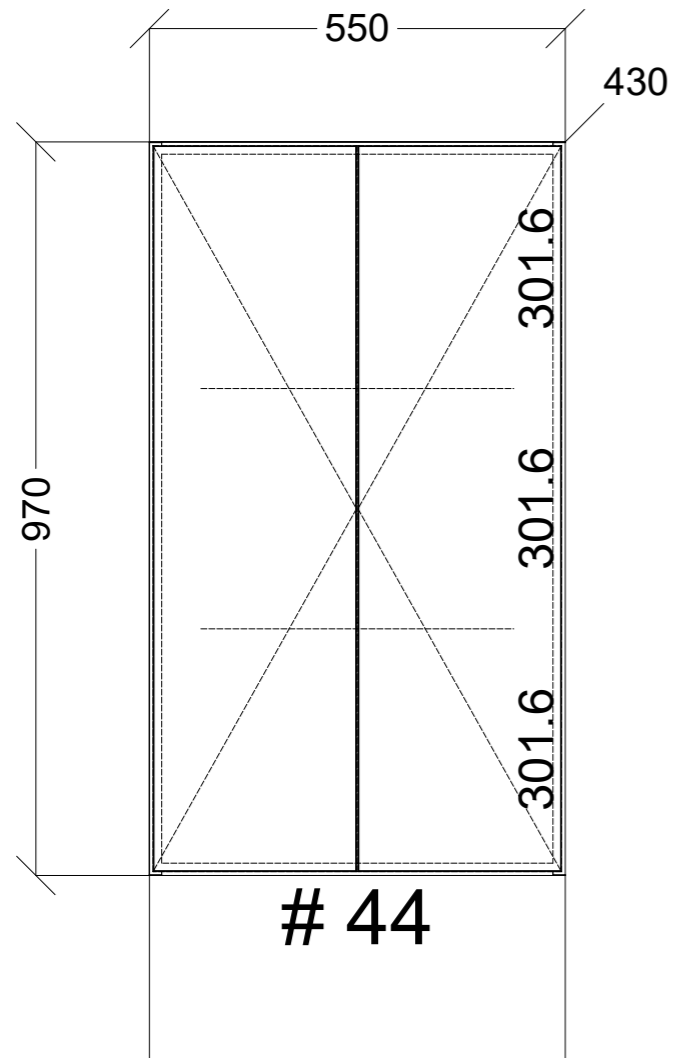
 <b>CONNECT KITCHENS</b>	Client: BCC		Door and panels style/colour: BLOSSOM WHITE MATT		Sheet 3 of 7
	Room: TV UNIT	Benchtop Colour: 20MM AC STONE STANDARD RANGE		Drawer slides: N/A	Carcass: WHITE HMR
	Date: 06/09/25	Address: U1 376 MAROONDAH HWY RINGWOOD		Handles Item No: 45' FINGER PULL	Approved by:




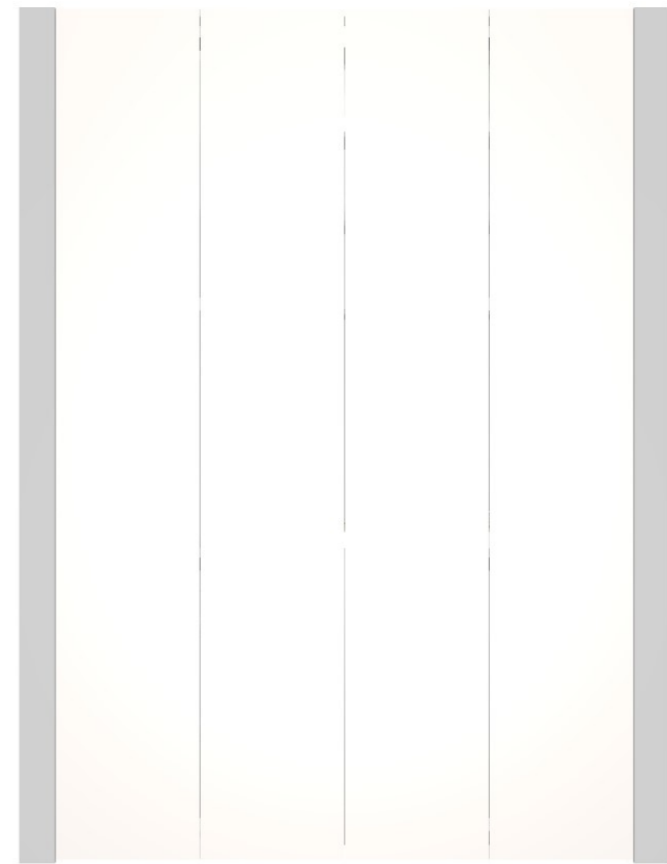
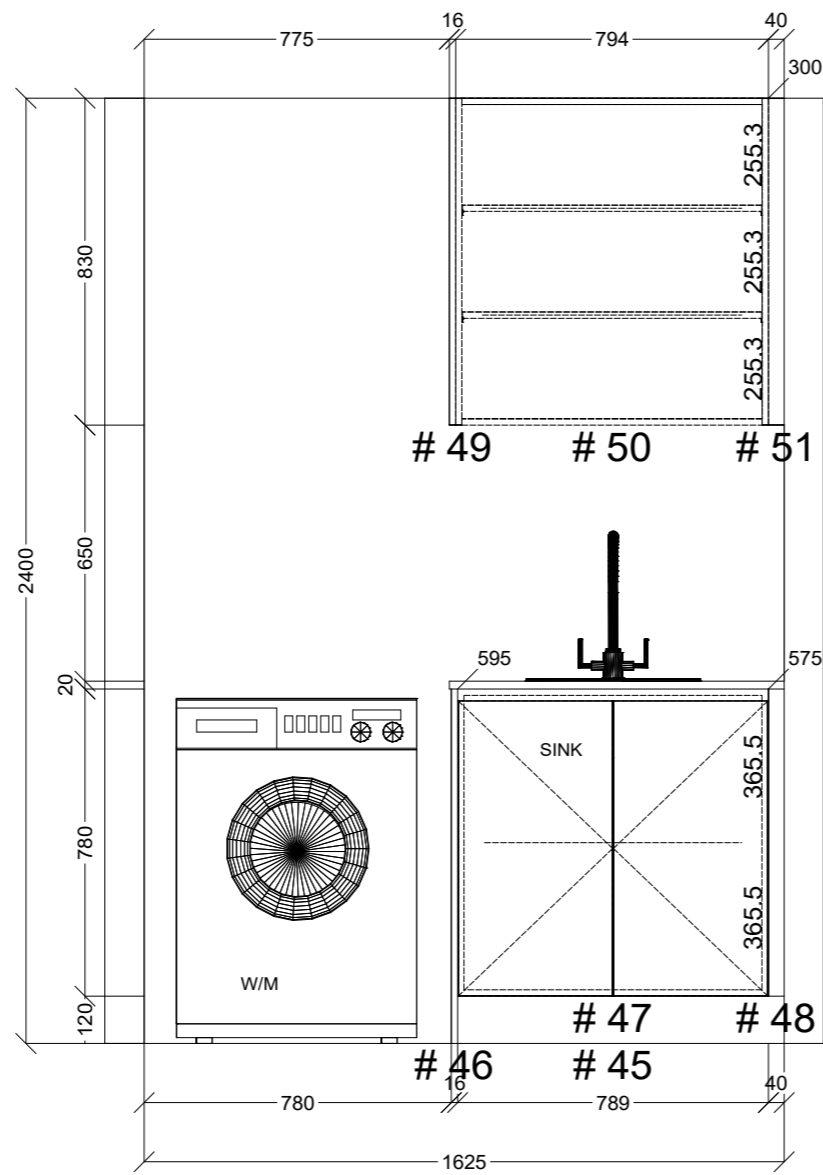
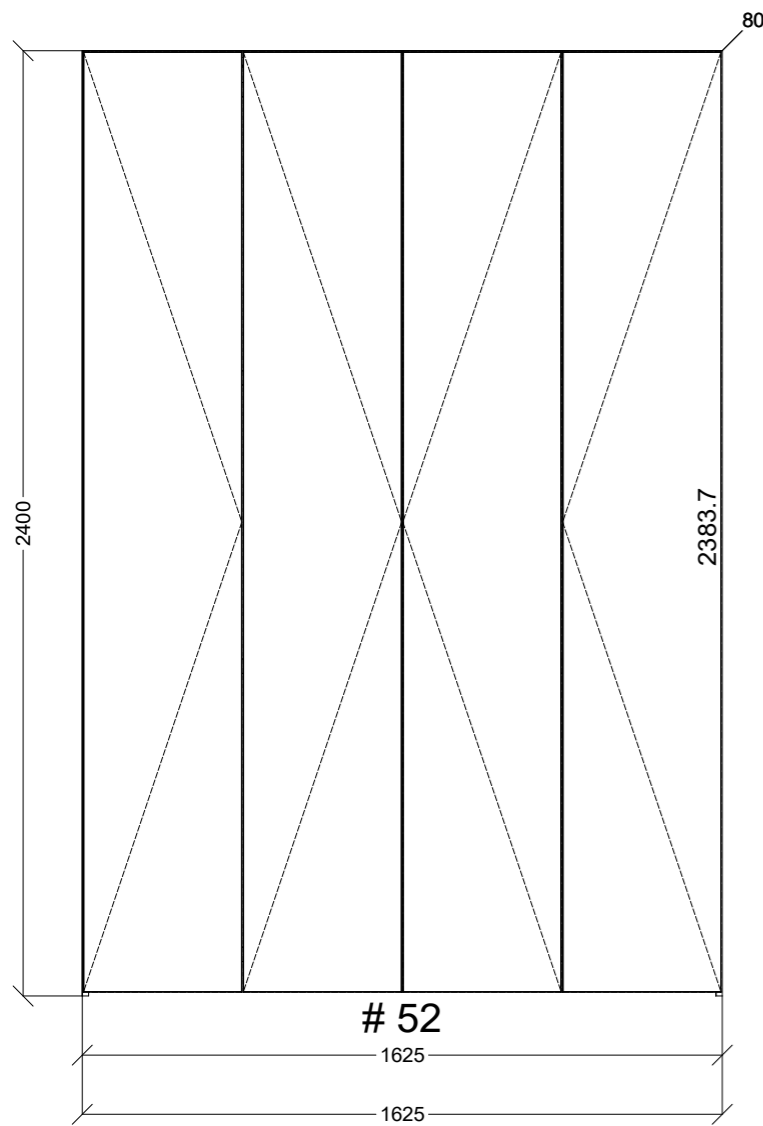
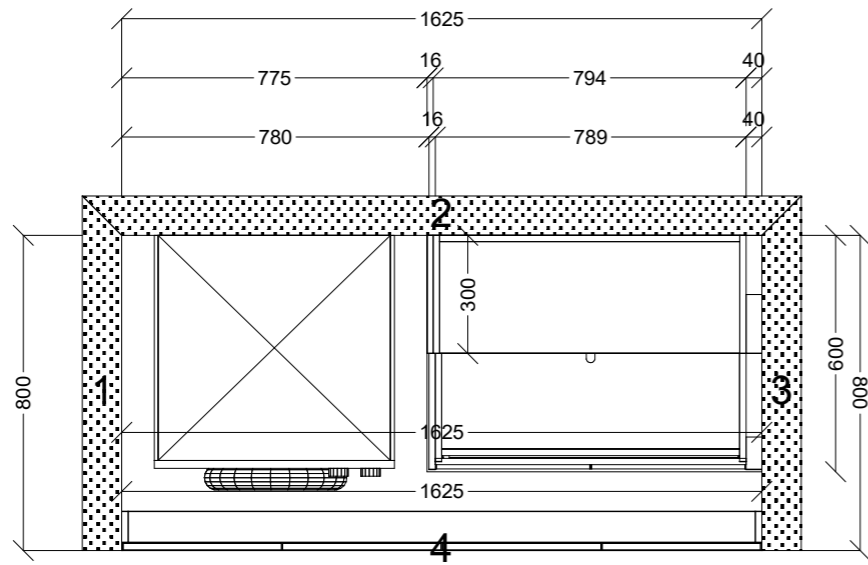
	Client: BCC	Door and panels style/colour: WHITE HMR			Sheet 4 of 7
	Room: WIR	Benchtop Colour: N/A	Drawer slides: ALTO SLIMS		Carcass: WHITE HMR
	Date: 06/09/25	Address: U1 376 MAROONDAH HWY RINGWOOD	Handles Item No: FINGER GAP	Approved by:	



	Client: BCC		Door and panels style/colour: WHITE HMR		Sheet 5 of 7
	Room: WIR	Benchtop Colour: N/A		Drawer slides: ALTO SLIMS	Carcass: WHITE HMR
	Date: 06/09/25	Address: U1 376 MAROONDAH HWY RINGWOOD	Handles Item No: FINGER GAP	Approved by:	



	Client: BCC		Door and panels style/colour: BLOSSOM WHITE MATT		Sheet 6 of 7
	Room: BATH	Benchtop Colour: N/A		Drawer slides: N/A	Carcass: WHITE HMR
	Date: 06/09/25	Address: U1 376 MAROONDAH HWY RINGWOOD	Handles Item No: TBA		Approved by:



	Client: BCC		Door and panels style/colour: BLOSSOM WHITE MATT		Sheet 7 of 7
	Room: LAUNDRY	Benchtop Colour: 20MM AC STONE STANDARD RANGE		Drawer slides: N/A	Carcass: WHITE HMR
	Date: 06/09/25	Address: U1 376 MAROONDAH HWY RINGWOOD	Handles Item No: 45' FINGER PULL		Approved by: