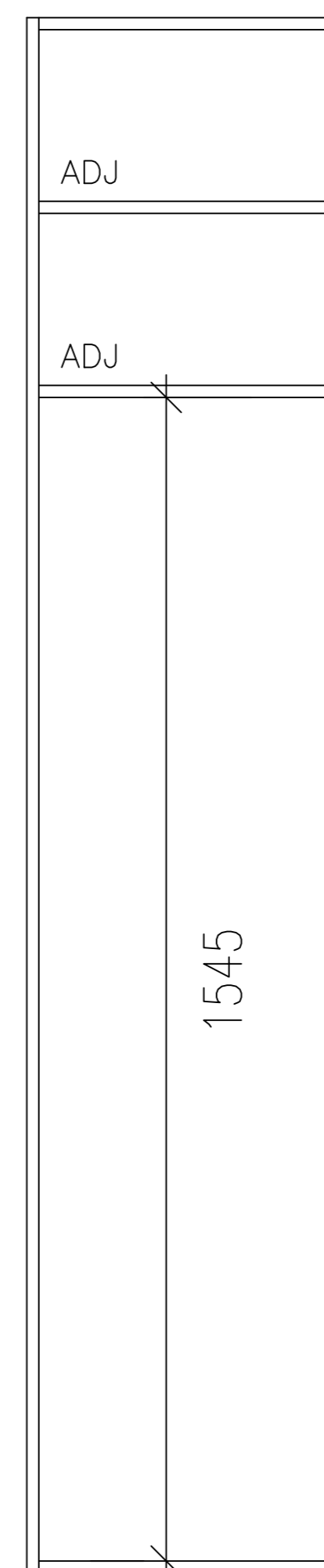
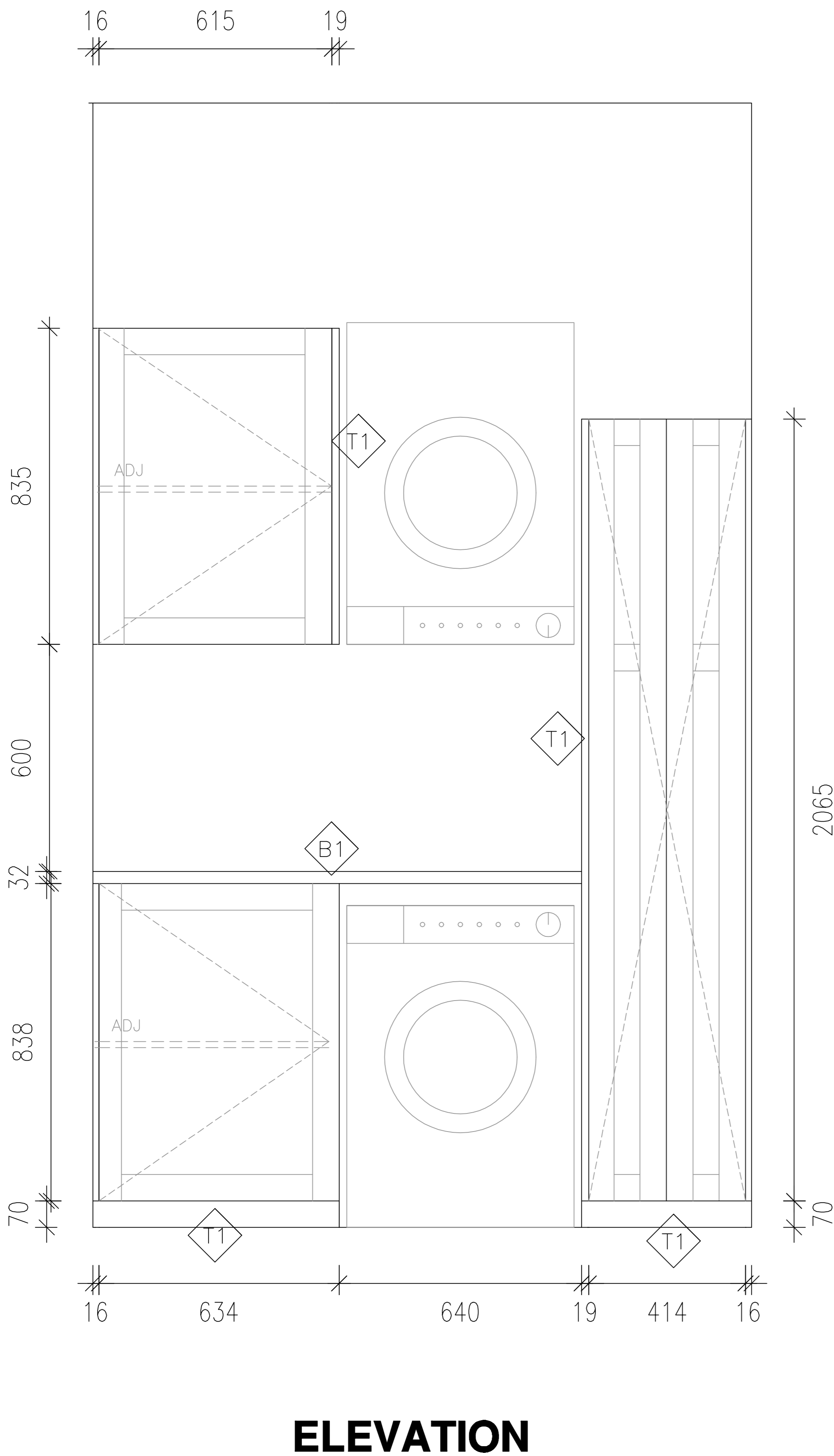



# FINISHES

- T1 16mm TASMANIAN OAK FINISHED IN JARRAH STAIN AND SATIN LACQUER
- B1 32mm TIGHTFORM BENCHTOP FINISHED IN POLYTEC CLASSIC WHITE MATT



**JO'S MAKEOVERS**

---



4 Kirrum Close Wantina South 3152

---

PROJECT: 12 EXILEY RD HAMPTON EAST

---

Drawing Title : LAUNDRY RENOVATION  
 Date: 08/07/2025  
 Drawing No. A1  
 Revision : Rev A  
 Drawn : AC

---

PLANS INSPECTED AND APPROVED FOR CONSTRUCTION

NAME \_\_\_\_\_

SIGNED \_\_\_\_\_

DATED / /