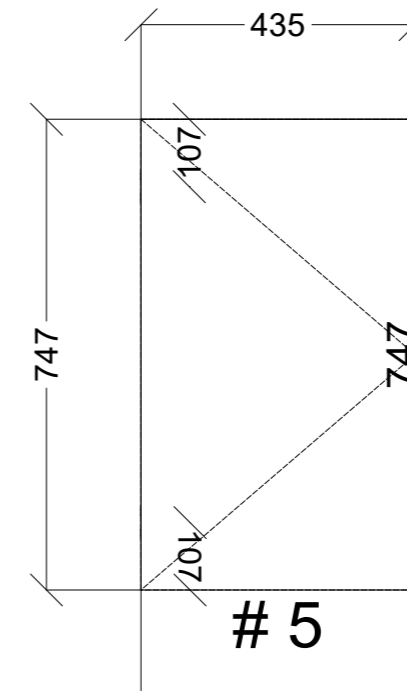
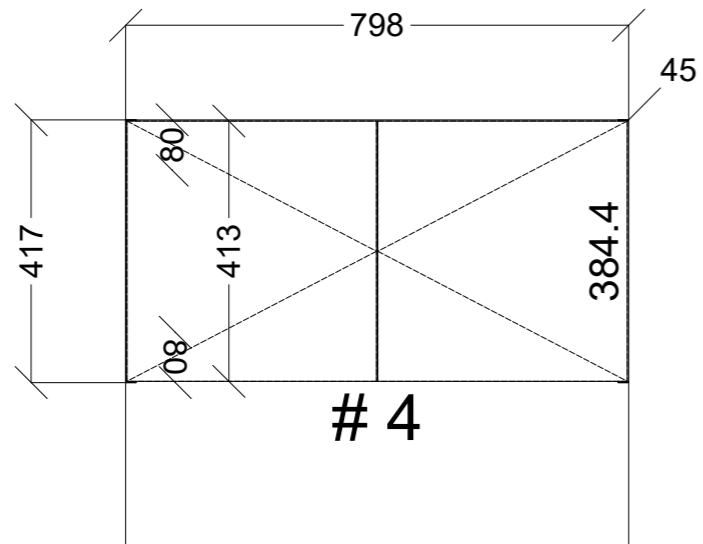

	Client:		Door and panels style/colour: 2PAC TEXTURE TO MATCH SAMPLE		Sheet 1 of 2
	Room: DRAWER UNIT		Benchtop Colour: N/A		Drawer slides: ALTO SLIMS
	Carcass: WHITE HMR		Date: 28/10/25		Address: 115A NANGATHAN WAY CROYDON
Handles Item No: TBA		Approved by:			



	Client:		Door and panels style/colour: 2PAC TEXTURE TO MATCH SAMPLE		Sheet 2 of 2
	Room: DOORS	Benchtop Colour: N/A		Drawer slides: N/A	Carcass: WHITE HMR
	Date: 28/10/25	Address: 115A NANGATHAN WAY CROYDON	Handles Item No: TBA		Approved by: