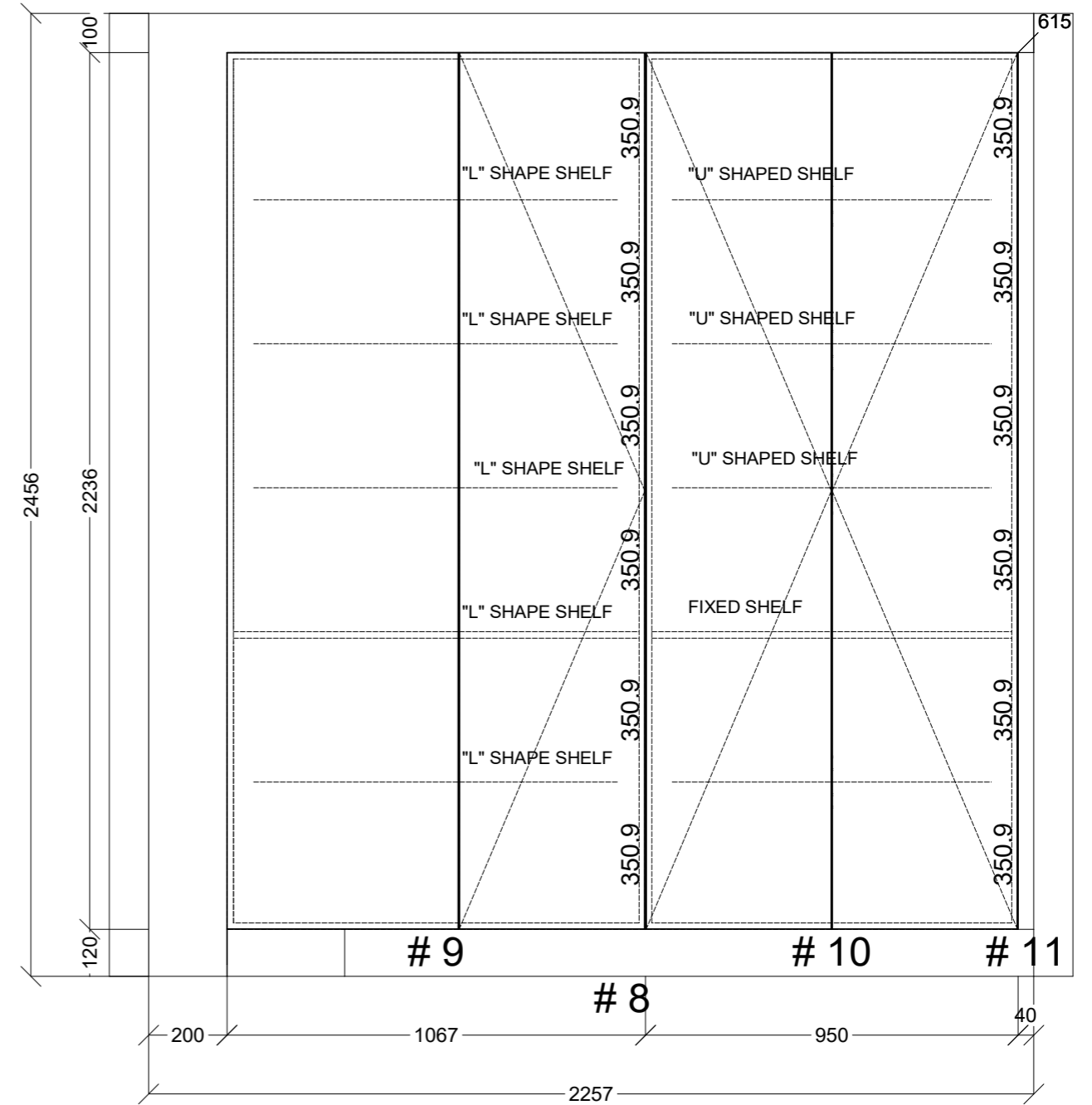
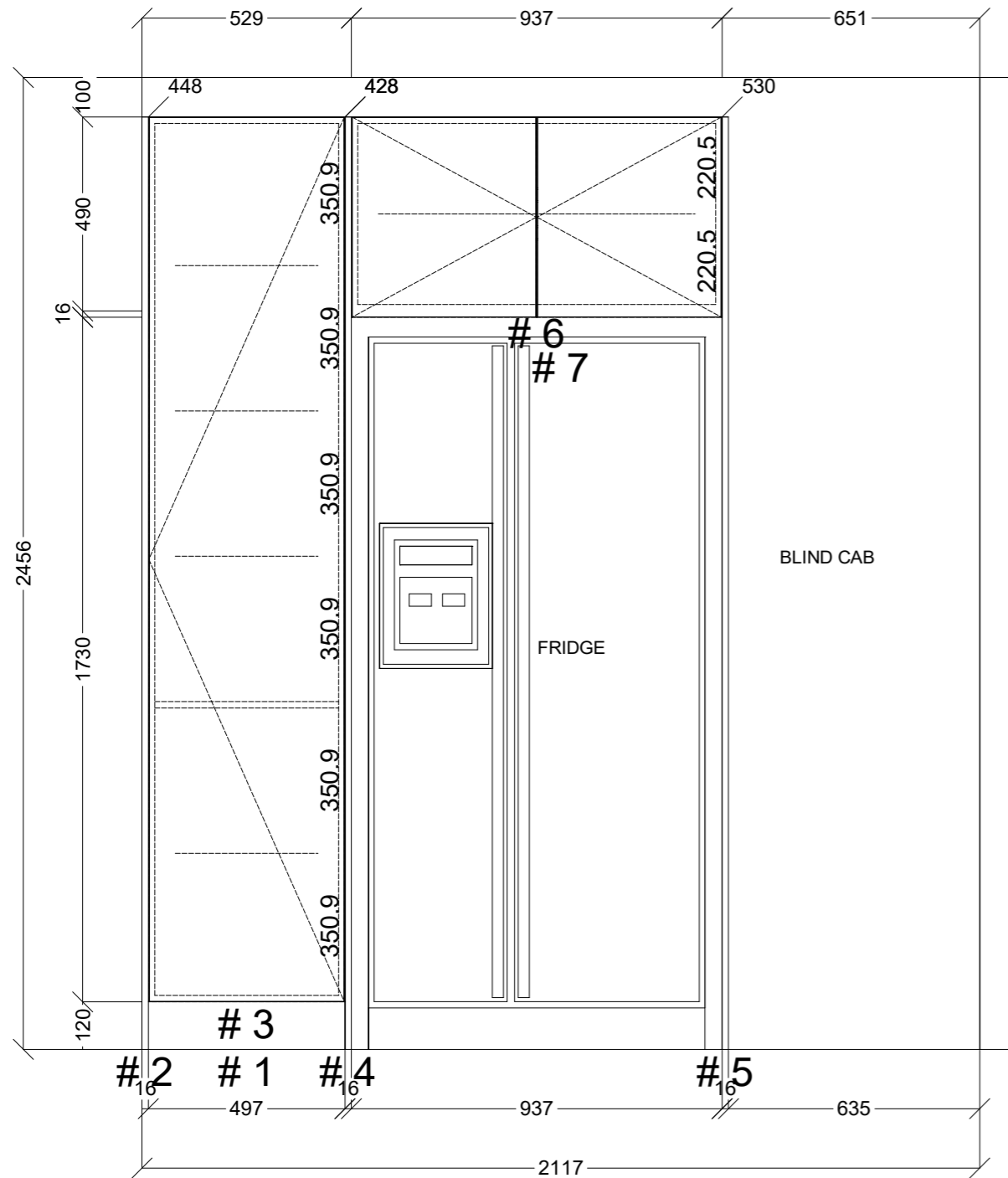

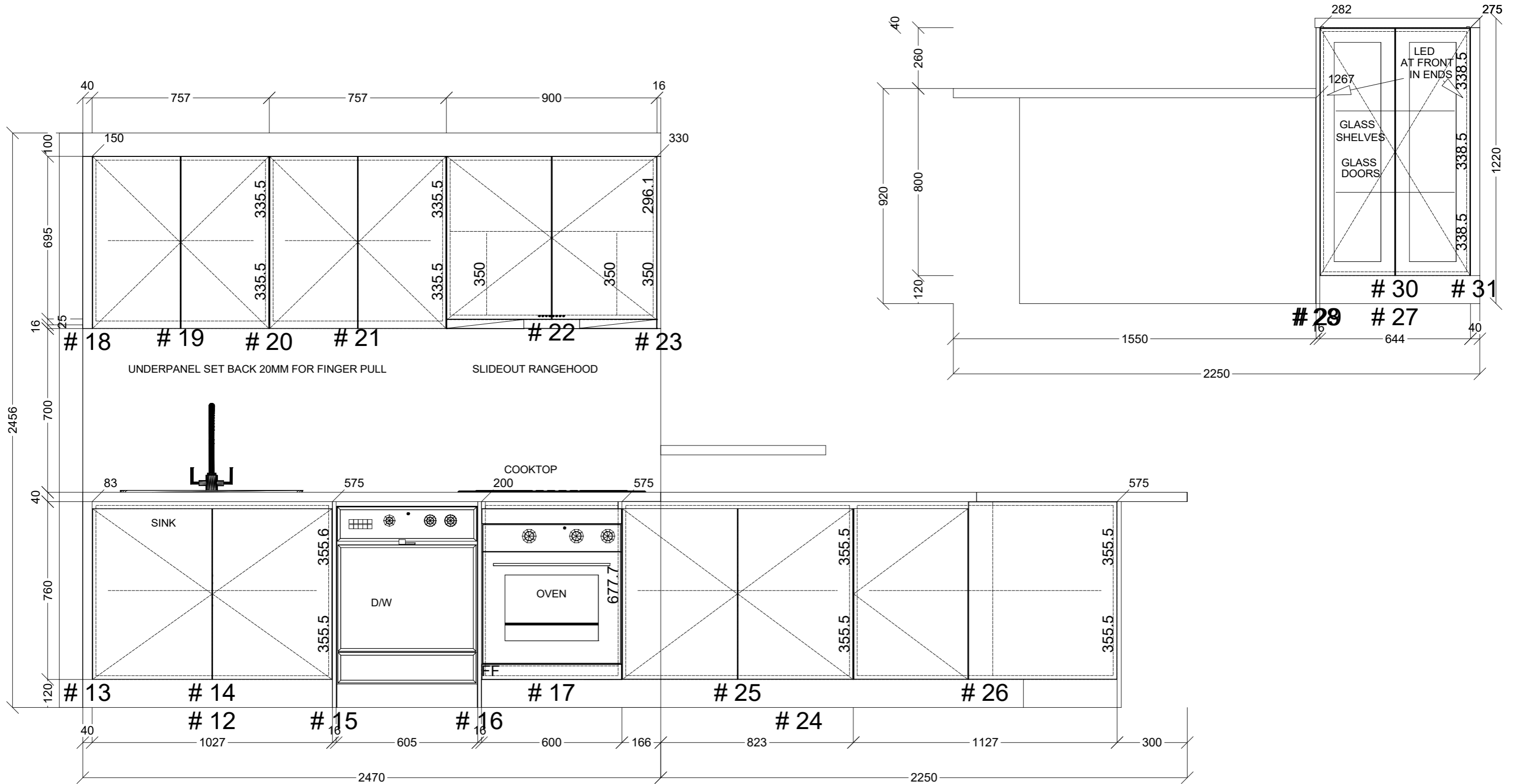



| | | | | | | |
|--|-------------------------------|--|--|----------------------------------|--|--------------------|
|  CONNECT KITCHENS | Client: STOSIUS CONSTRUCTIONS | | Door and panels style/colour: BLOSSOM WHITE MATT | | | Sheet 1 of 13 |
| | Room: KITCHEN | Benchtop Colour: 40MM STONE TBA | | Drawer slides: BLUM ANTARO | | Carcass: WHITE HMR |
| | Date: 04/11/25 | Address: U81 8-10 THE ESPLANADE ST KILDA | | Handles Item No: 45' FINGER PULL | | Approved by: |



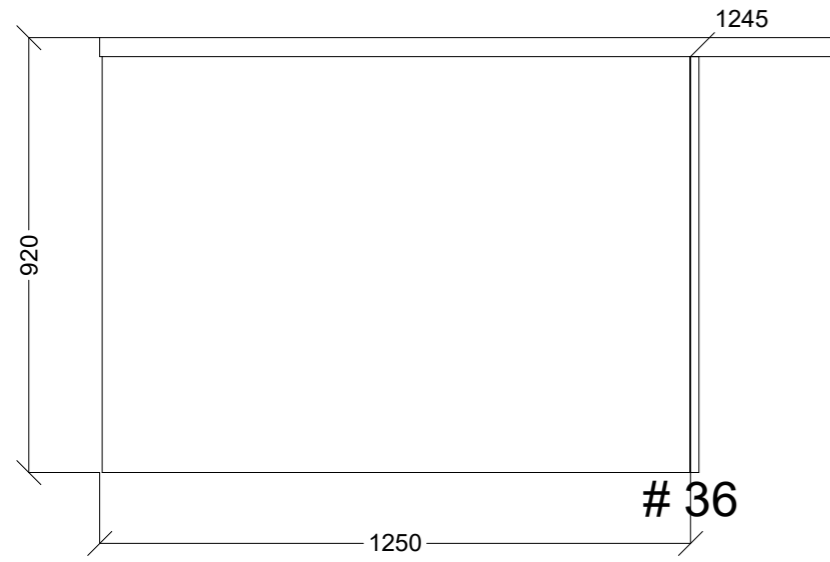
| | | | | | |
|--|-------------------------------|--|--|----------------------------------|--------------------|
|  CONNECT KITCHENS | Client: STOSIUS CONSTRUCTIONS | | Door and panels style/colour: BLOSSOM WHITE MATT | | Sheet 2 of 13 |
| | Room: KITCHEN | Benchtop Colour: 40MM STONE TBA | | Drawer slides: BLUM ANTARO | Carcass: WHITE HMR |
| | Date: 04/11/25 | Address: U81 8-10 THE ESPLANADE ST KILDA | | Handles Item No: 45' FINGER PULL | Approved by: |

ISLAND REAR

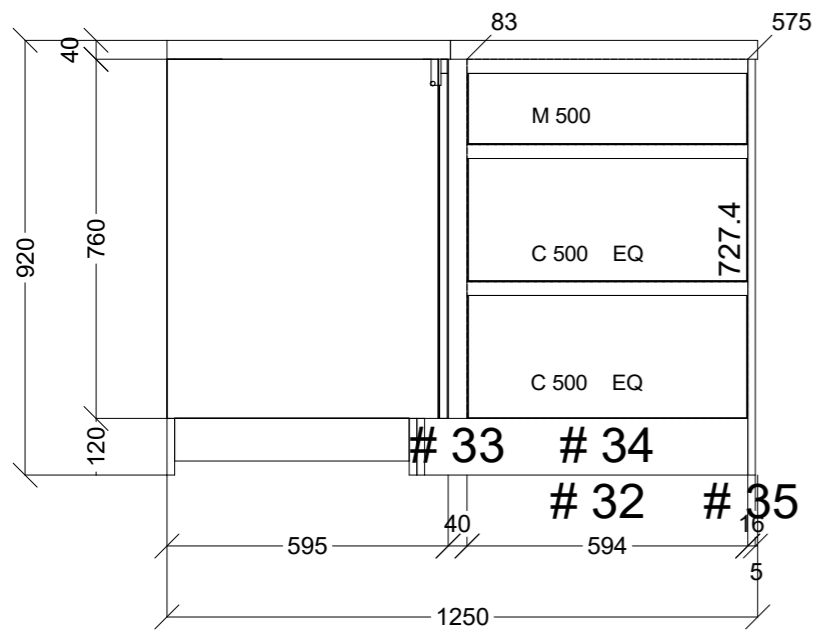


| | | | | | |
|--|-------------------------------|--|--|--|----------------------------------|
|  CONNECT KITCHENS | Client: STOSIUS CONSTRUCTIONS | | Door and panels style/colour: BLOSSOM WHITE MATT | | Sheet 3 of 13 |
| | Room: KITCHEN | | Benchtop Colour: 40MM STONE TBA | | Drawer slides: BLUM ANTARO |
| | Date: 04/11/25 | | Address: U81 8-10 THE ESPLANADE ST KILDA | | Handles Item No: 45' FINGER PULL |

ISLAND REAR




ISLAND FRONT




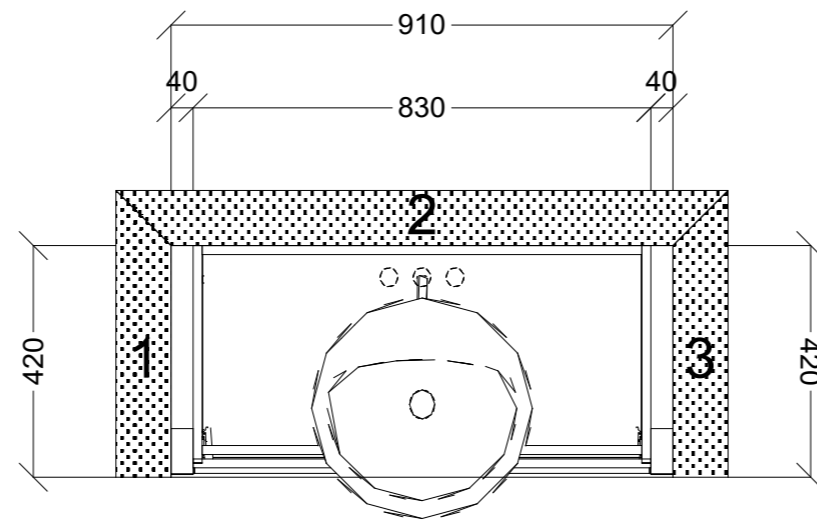
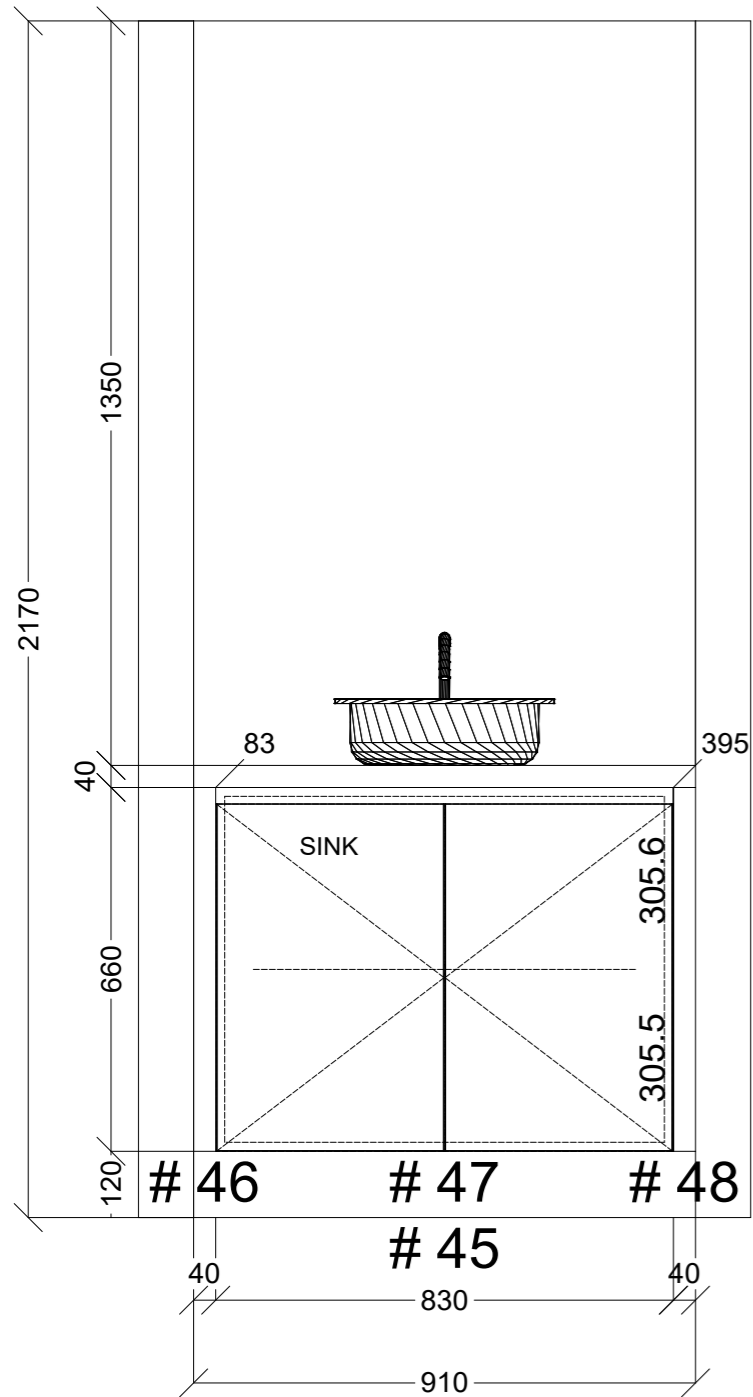
| | | | | | |
|--|-------------------------------|--|--|----------------------------|--------------------|
|  CONNECT KITCHENS | Client: STOSIUS CONSTRUCTIONS | | Door and panels style/colour: BLOSSOM WHITE MATT | | Sheet 4 of 13 |
| | Room: KITCHEN | Benchtop Colour: 40MM STONE TBA | | Drawer slides: BLUM ANTARO | Carcass: WHITE HMR |
| | Date: 04/11/25 | Address: U81 8-10 THE ESPLANADE ST KILDA | Handles Item No: 45' FINGER PULL | | Approved by: |




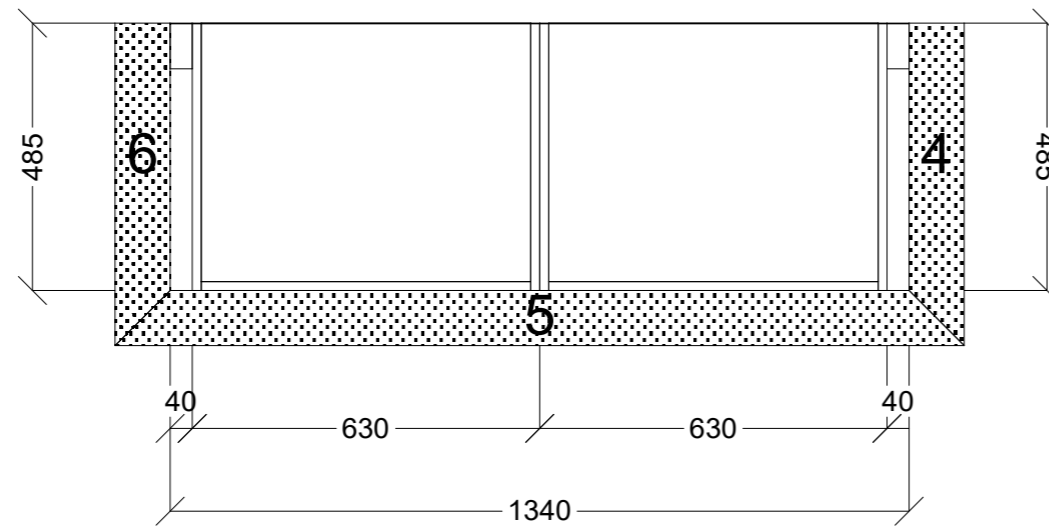
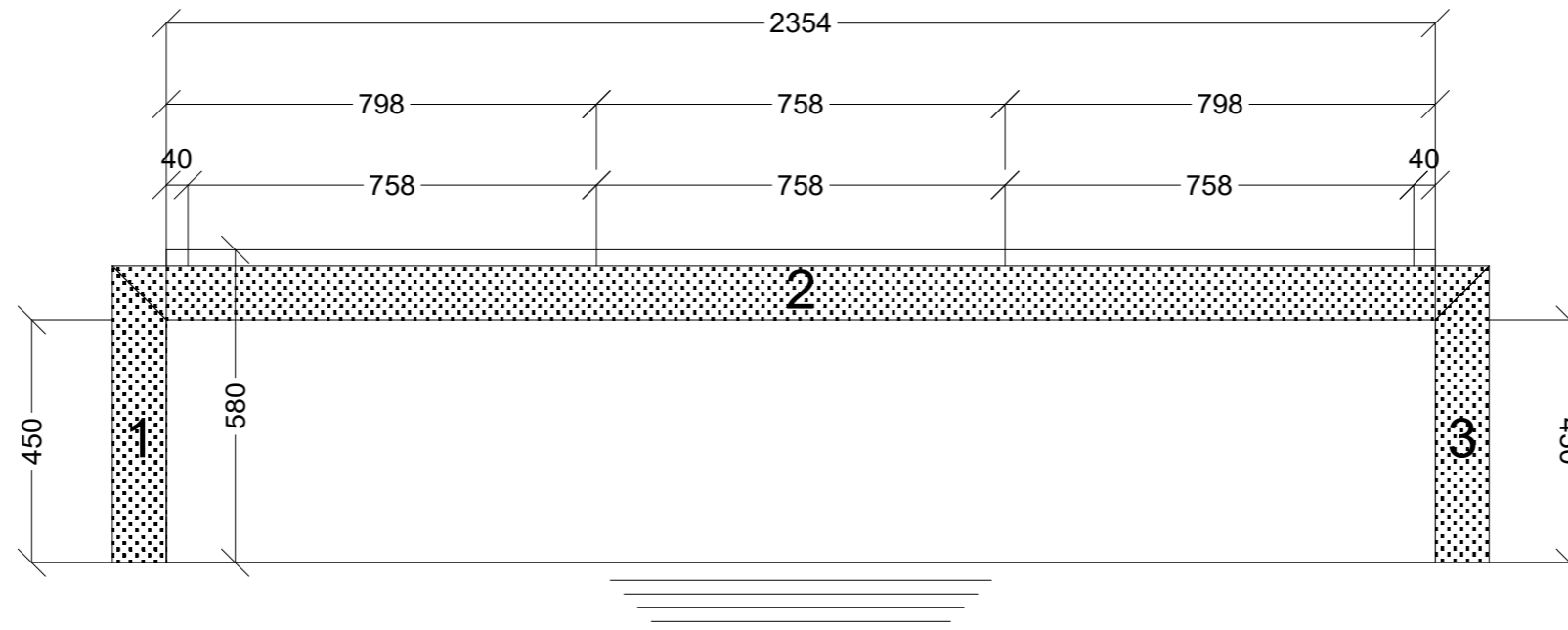
| | | | | | |
|--|-------------------------------|--|--|----------------------------------|--------------------|
|  CONNECT KITCHENS | Client: STOSIUS CONSTRUCTIONS | | Door and panels style/colour: BLOSSOM WHITE MATT | | Sheet 5 of 13 |
| | Room: KITCHEN | Benchtop Colour: 40MM STONE TBA | | Drawer slides: BLUM ANTARO | Carcass: WHITE HMR |
| | Date: 04/11/25 | Address: U81 8-10 THE ESPLANADE ST KILDA | | Handles Item No: 45' FINGER PULL | Approved by: |




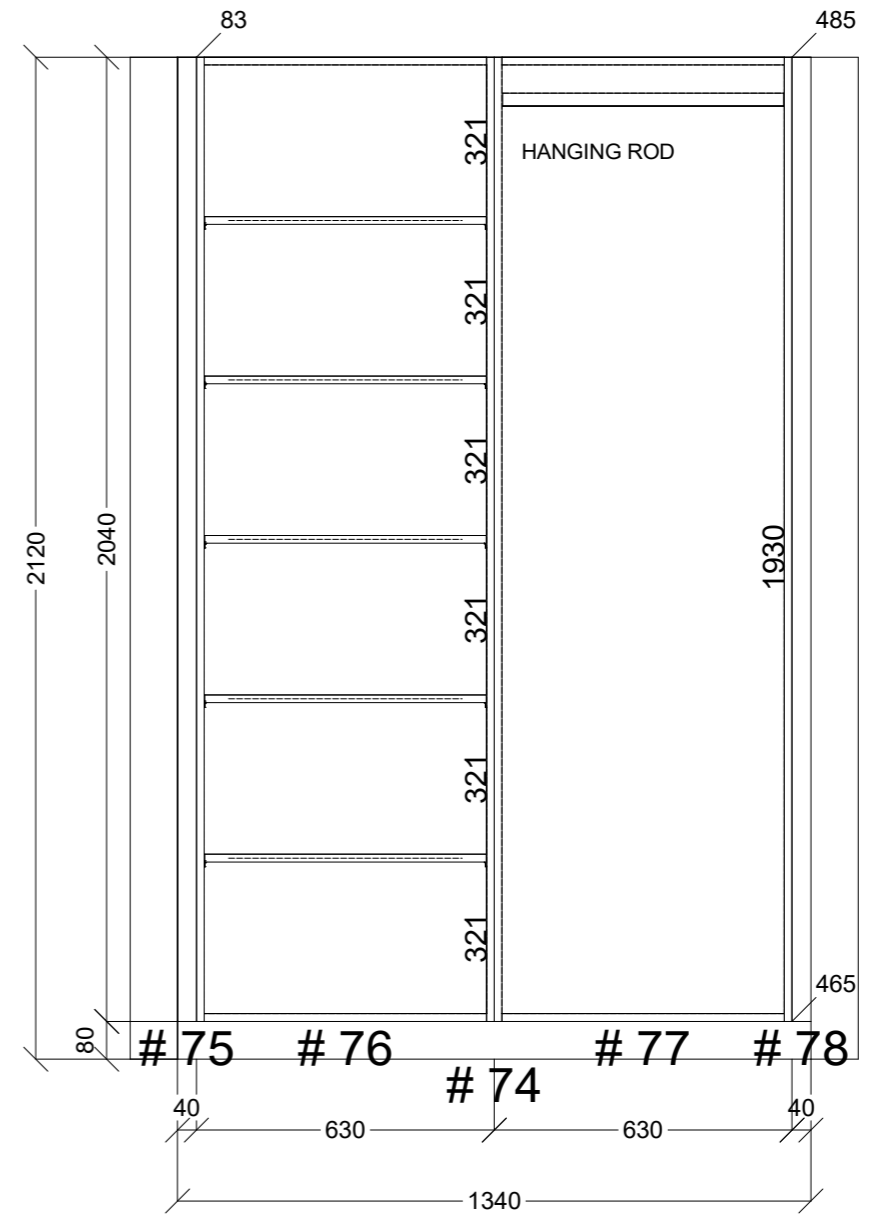
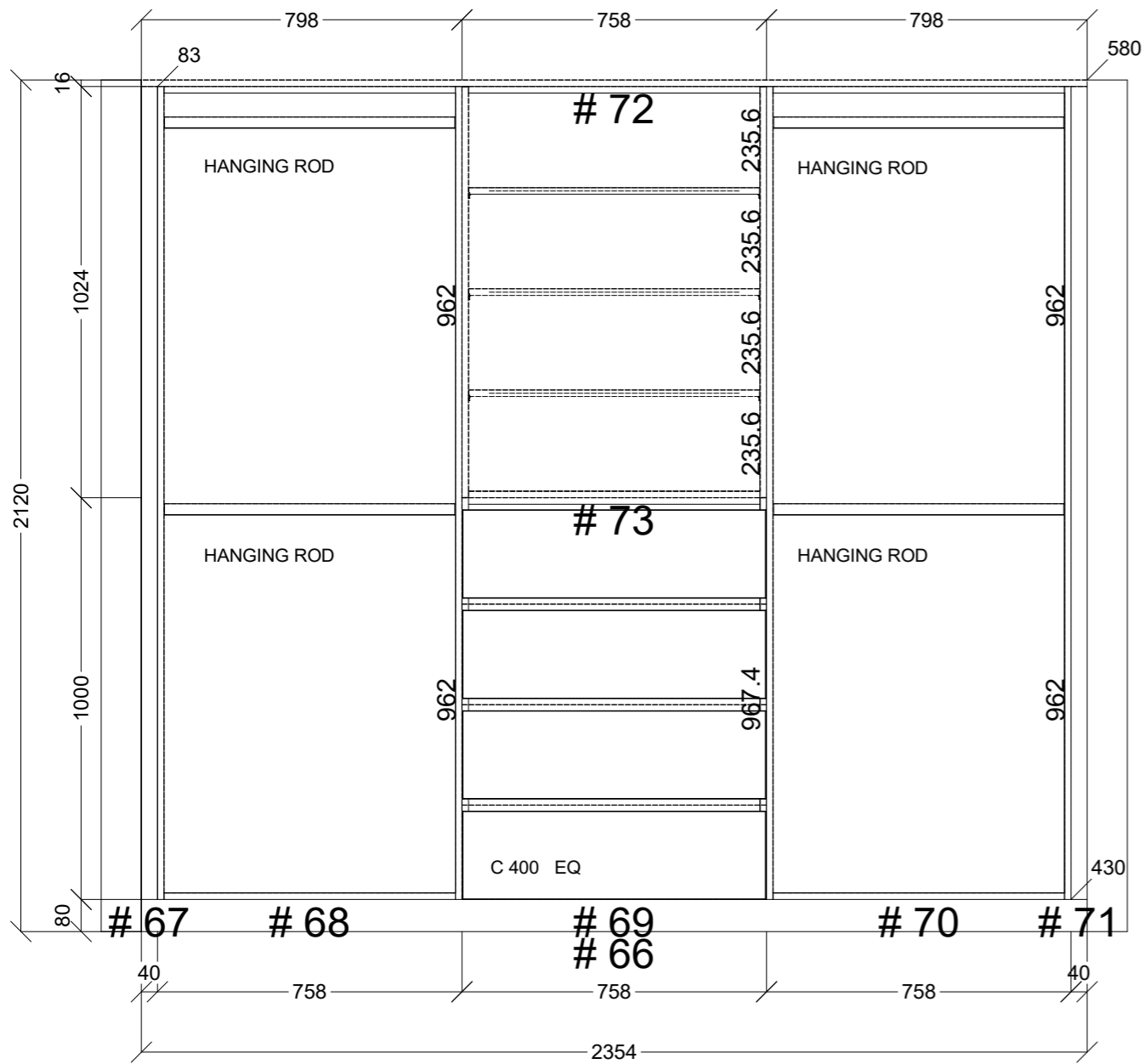
| | | | | | |
|--|-------------------------------|--|--|----------------------------|--------------------|
|  CONNECT KITCHENS | Client: STOSIUS CONSTRUCTIONS | | Door and panels style/colour: BLOSSOM WHITE MATT | | Sheet 6 of 13 |
| | Room: KITCHEN | Benchtop Colour: 40MM STONE TBA | | Drawer slides: BLUM ANTARO | Carcass: WHITE HMR |
| | Date: 04/11/25 | Address: U81 8-10 THE ESPLANADE ST KILDA | Handles Item No: 45' FINGER PULL | | Approved by: |




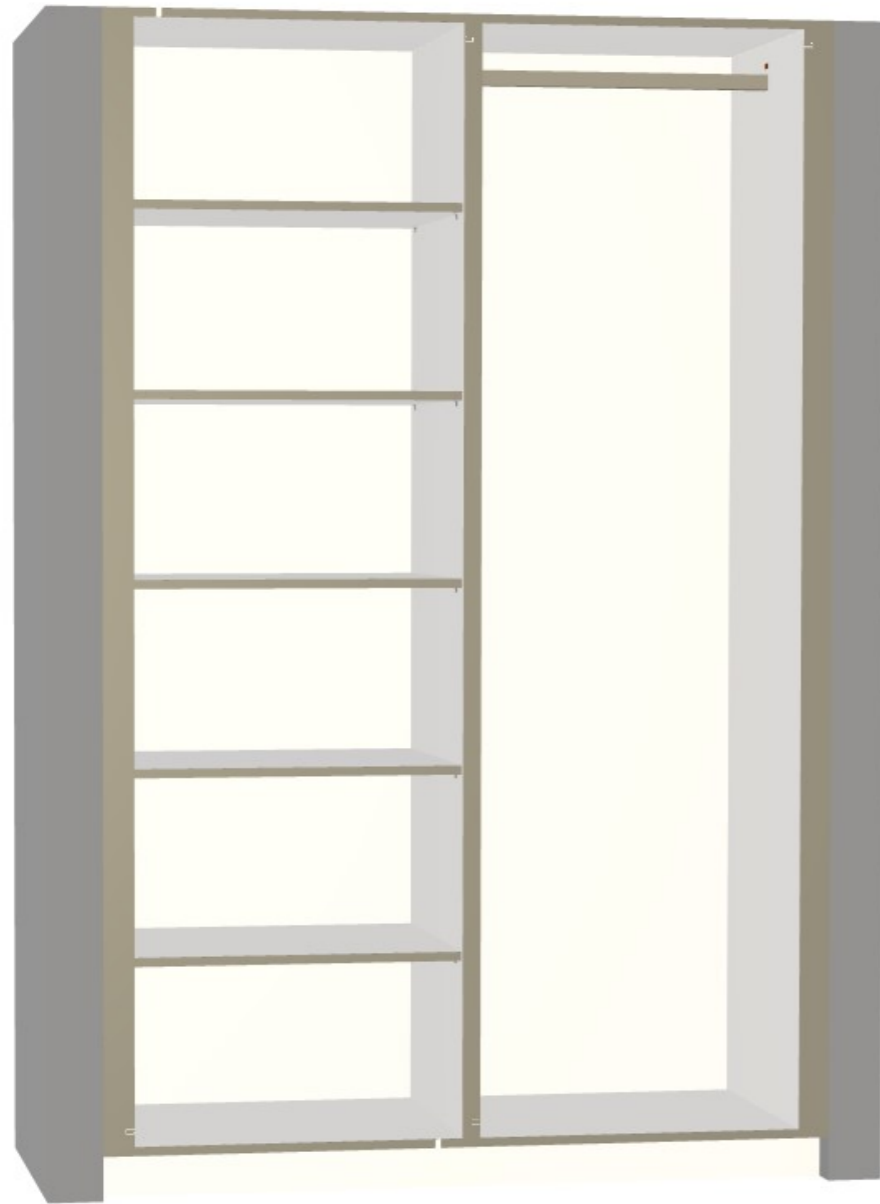
| | | | | | |
|--|-------------------------------|--|--|--------------------|--------------------|
|  CONNECT KITCHENS | Client: STOSIUS CONSTRUCTIONS | | Door and panels style/colour: BLOSSOM WHITE MATT | | Sheet 8 of 13 |
| | Room: BATH | Benchtop Colour: 40MM STONE TBA | | Drawer slides: N/A | Carcass: WHITE HMR |
| | Date: 04/11/25 | Address: U81 8-10 THE ESPLANADE ST KILDA | Handles Item No: 45' FINGER PULL | | Approved by: |




| | | | | | |
|--|-------------------------------|--|---|----------------------------|--------------------|
|  CONNECT KITCHENS | Client: STOSIUS CONSTRUCTIONS | | Door and panels style/colour: WHITE HMR | | Sheet 11 of 13 |
| | Room: WIR | Benchtop Colour: N/A | | Drawer slides: BLUM ANTARO | Carcass: WHITE HMR |
| | Date: 04/11/25 | Address: U81 8-10 THE ESPLANADE ST KILDA | Handles Item No: FINGER GAP | | Approved by: |



| | | | | | |
|--|-------------------------------|--|---|----------------------------|--------------------|
|  CONNECT KITCHENS | Client: STOSIUS CONSTRUCTIONS | | Door and panels style/colour: WHITE HMR | | Sheet 12 of 13 |
| | Room: WIR | Benchtop Colour: N/A | | Drawer slides: BLUM ANTARO | Carcass: WHITE HMR |
| | Date: 04/11/25 | Address: U81 8-10 THE ESPLANADE ST KILDA | Handles Item No: FINGER GAP | Approved by: | |



| | | | | | |
|--|-------------------------------|--|---|----------------------------|--------------------|
|  CONNECT KITCHENS | Client: STOSIUS CONSTRUCTIONS | | Door and panels style/colour: WHITE HMR | | Sheet 13 of 13 |
| | Room: WIR | Benchtop Colour: N/A | | Drawer slides: BLUM ANTARO | Carcass: WHITE HMR |
| | Date: 04/11/25 | Address: U81 8-10 THE ESPLANADE ST KILDA | Handles Item No: FINGER GAP | | Approved by: |