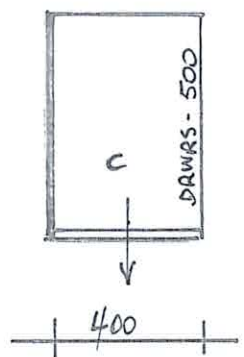
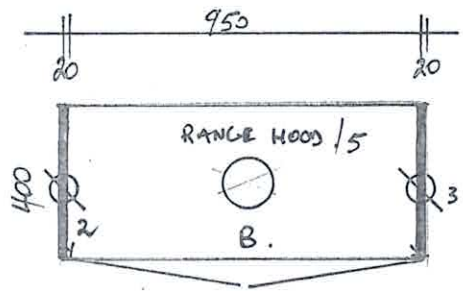
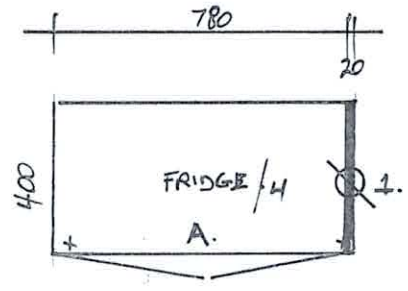
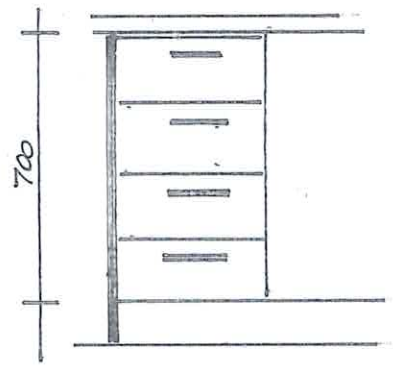
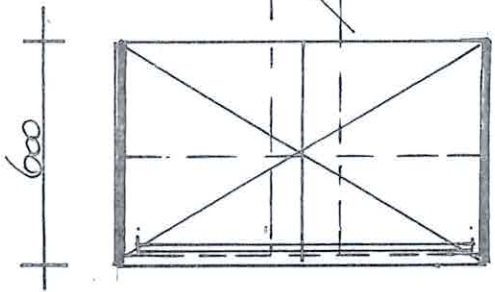
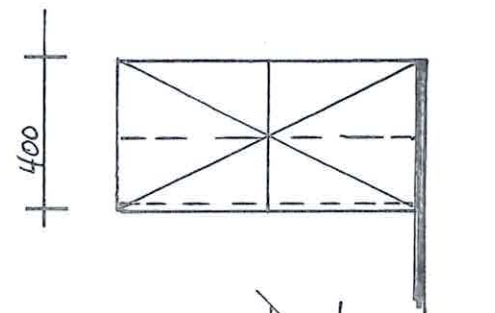


# REID 4177

PROOF O.K.  
 PROOF NEEDS ALTERS  
 SIGNED \_\_\_\_\_ DATE \_\_\_\_\_



\* REPLACE DRAWERS IN EXISTING CABINET.

Date:

Name:

Job ...

REID 4177

ITEM	COLOUR	FINISH	BRAND	Delivery	Client	Cont	✓
Bench Tops	✓	CARRARA BIANCO 087	NATURAL LAMINEY	Install	Client	Cont	✓
Doors	✓	WHITEHAVEN	OPTIMATT	Rip out	Client	Cont	✓
Handles	✓		TITUS	Rubb Rem	Client	Cont	✓
Ends	✓	STD		Tiling	Client	Cont	✓
Back Panels	✓	STD		Appliance	Client	✓	Cont
Kickers	✓	STD		Joinery Height			
Bulkhead	X			Bench Top Height			
Substrate	X			Ceiling Height			
Templates	X						

CABINETS

	CODE	HEIGHT	WIDTH	DEPTH		CODE	HEIGHT	WIDTH	DEPTH
A	OHEAD FRIDGE	380	780	400		K			
B	OHEAD R/HOOD	580	950	400		L			
C	4 DRAWER UNIT	700	400	560		M			
D						N			
E						O			
F						P			
G						Q			
H						R			
I						S			
J						T			

PANELS EDGED ALL SIDES

	ITEM	HEIGHT	WIDTH		ITEM	HEIGHT	WIDTH
1	TALL PANEL				9		
2	OH PANEL	600	420		10		
3	OH PANEL	600	420		11		
4	UNDER PANEL FRIDGE	780	400		12		
5	UNDER PANEL R.HOOD	950	400		13		
6					14		
7					15		
8					16		

FACTORY SPECIAL WORK

C - 4 EQUAL DRAWERS 175 - 175 - 175 - 175  
 B - C DOORS UNDERMOUNT + 20mm

Drawer system  Metabox  TITUS TERFORM White  SLIMLINE  Legrebox

APPLIANCE DETAILS	HEIGHT	WIDTH	DEPTH	COMMENTS
Oven	✓			EXISTING TO STAY
Hot Plate	✓	60cm		NEW - INDUCTION DOMAIN - IND 60G
Range Hood	✓	52cm		NEW - UNDERMOUNT " - UMH-52-B
Fridge	✓			EXISTING TO STAY
Microwave	X			N/A
Dishwasher	✓	60cm		NEW - S. STEEL - DOMAIN - DW-60.x1

Door Style

FLAT PANEL

FRONT DESIGN TYPE SELECTION

