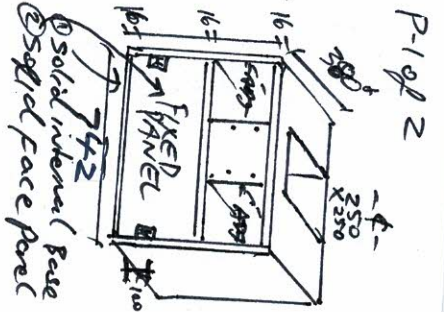
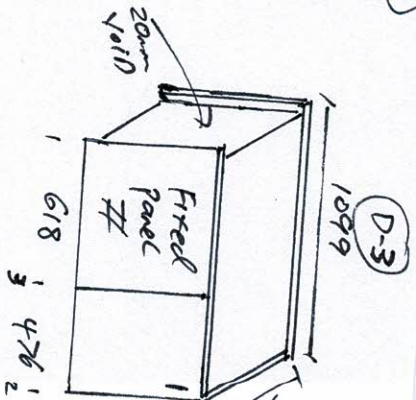
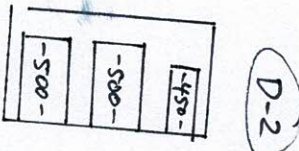
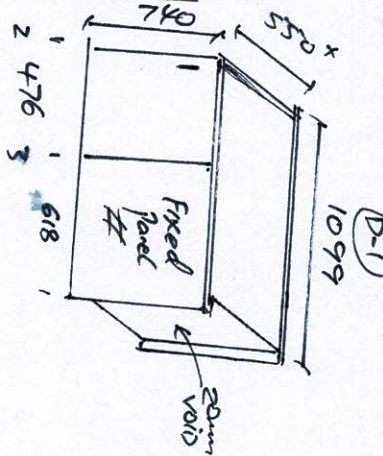


ORDER FORM

SJ Custom Kitchens	
Order Ref #	Carrum Downs
Date Ordered:	1/12/25
Date Required:	12/12/25
Carcass:	Wann White HWR
Colour Board:	polytec Oyster Grey matt Rwm
Edge Type:	Trim matching



QTY	CABINET	HEIGHT PLUS KICKER	WIDTH	DEPTH + DOOR	NOTES
1	X2 Door off wall CAB (over)	539	600	380	
2	X2 Door off wall CAB	605	525	300	X2 Adjust shelf Doors = 536 X 296.5
1	X1 Door Blind car base Cab	512	600	580	X2 Adjust shelf Doors = 625 X 260
1	X2 Door Blind car base Cab Rthng	740	1099	550	3/253/3/253 X 595
1	X3 Drawer base Cab	740	927	550	X1 Adjust shelf Door = 737 X 476
1	X1 Door Blind car base Cab Lthng	740	600	550	X1 Adjust shelf Door = 737 X 460
1	X4 Drawer base Cab	740	1099	550	3/182/3/274.5/3/274.5 X 595
1	X2 Door Rthng Cab off	740	588	550	X1 Adjust shelf Door = 737 X 476
1	X2 Door off Cab	605	742	380	3/182/3/182/3/182 X 585
1	X2 Door off Cab	605	794	380	X2 Adjust shelf Doors = 625 X 368
4	white melamine Panel = 2400 X 70	2400 X 70	24		X2 Adjust shelf Doors = 625 X 394

FILLERS/PANEL LIST

18mm Oyster Grey Matt polytec

QTY	HEIGHT	WIDTH	EDGE	NOTES
1	2040	620	2L 2S	
1	2235	605	1L 1S	Ready Door
1	2105	600	2L 2S	w/over L-side
1	600	600	2L	R/side w/over tower
1	450	600	2L	w/over Base
1	470	600	2L	w/over top
1	402	600	2L	m/w Back Panel
1	625	320	1L 2S	o/H Base panel m/w
1	605	35	n/E	o/H END panel
1	300	35	n/E	o/H wall filler
2	740	618	1L 2S	o/H wall filler
2	740	570	1L 1S	45° cut
6	740	50	1L 2S	45° cut
2	870	570	2L	Blind cur Panels
1	870	572	2L	Blind cur Panels (sink Rows)
1	870	1715	2S	Blind cur Filler
2	625	405	1L 2S	D/w L+R
1	1540	360	2L	ISLAND END PANEL
2	130	1285	n/E	ISLAND FACE PANEL
4	600	60	2L	o/H r-HOOD side END PANELS
1	130	1240	n/E	o/H Base Panel
1	130	800	n/E	ISLAND + w/over kicker
1	280	1055	2L	w/over Rails
				sink kicker
				c/top kicker
				o/H Base Panels