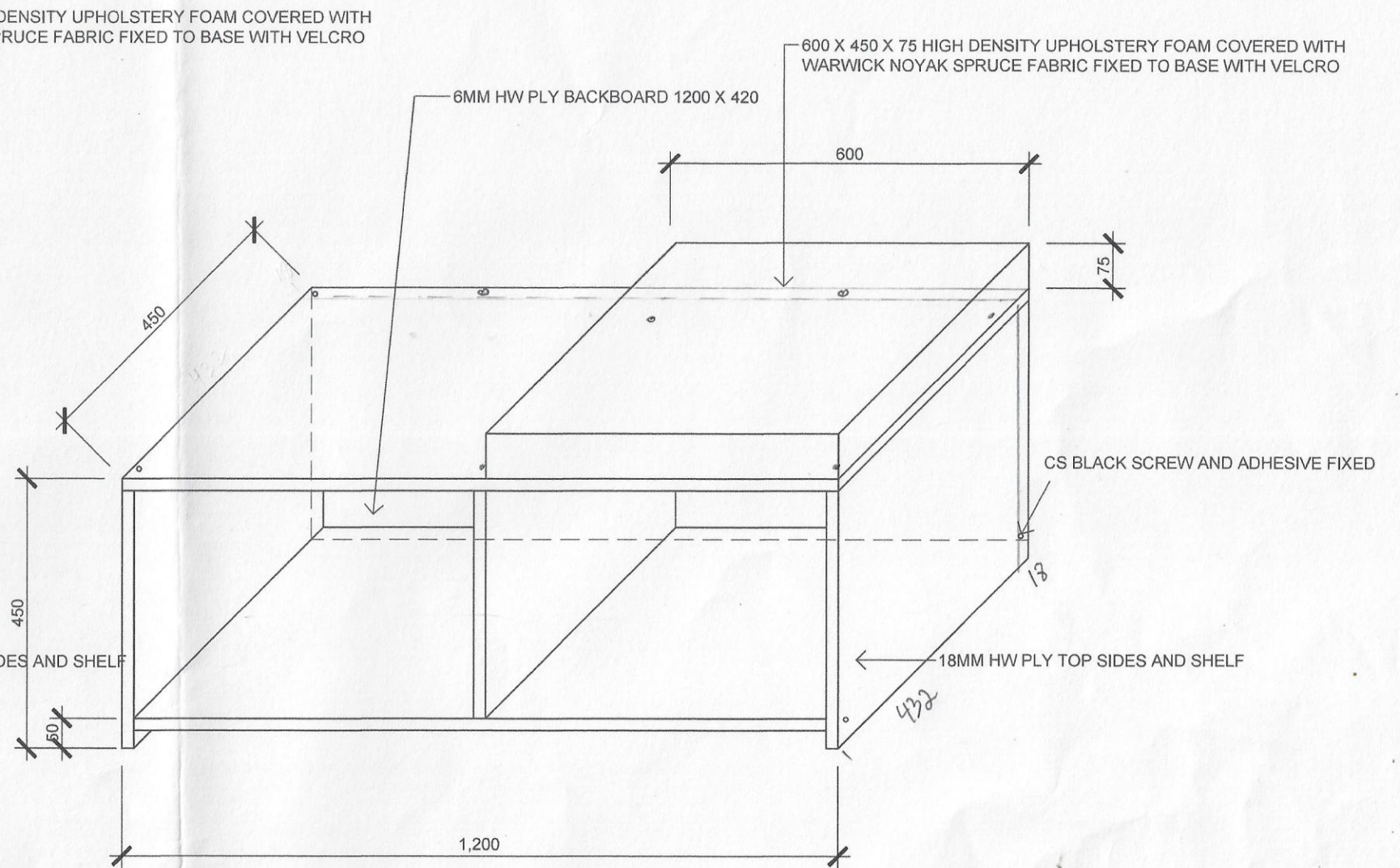


LUGGAGE BENCH X 3



LUGGAGE BENCH X 10

ISOMETRIC VIEWS 1:10

*Gaboon Marine Plywood*  
 ALL IN ~~HARDWOOD PLY TUNG~~  
 OIL-SEALED

*18mm 2440 x 1220*

*Poly clear Lacquer*

*Cabinet Decor*

**A.D.O** ARCHITECTS DESIGN OFFICE  
 54 GLASSHOUSE ROAD  
 COLLINGWOOD VIC 3066  
 T 0411416848  
 E AIDANHALLORAN.ADO@GMAIL.COM

**NOTES**  
 DIMENSIONS ARE TO STRUCTURE UNLESS OTHERWISE NOTED  
 THE CONTRACTOR SHALL VERIFY ALL QUANTITIES, DIMENSIONS & LEVELS ON SITE PRIOR TO COMMENCEMENT OF WORK OR PREPARATION OF SHOP DRAWINGS. ALL MATERIALS & WORKMANSHIP SHALL CONFORM TO THE AUSTRALIAN STANDARDS, THE NCC AND LOCAL COUNCIL REQUIREMENTS. ITN ARCHITECTS INTERNATIONAL PTY LTD RETAINS ALL MORAL & COPY RIGHTS.

**PROJECT TEAM**  
 CLIENT

REVISION SCHEDULE		
NO.	DESCRIPTION	DATE

**PROJECT**  
 CONTINENTAL HOUSE  
 9 LONE PINE GROVE  
 HEPBURN SPRINGS

ISSUE	3-10-25
PHASE	CONCEPT
SCALE	1:10 @ A3
DIR	AH
BY:	AH
REV	

**PLY FURNITURE DETAILS**

**A24**