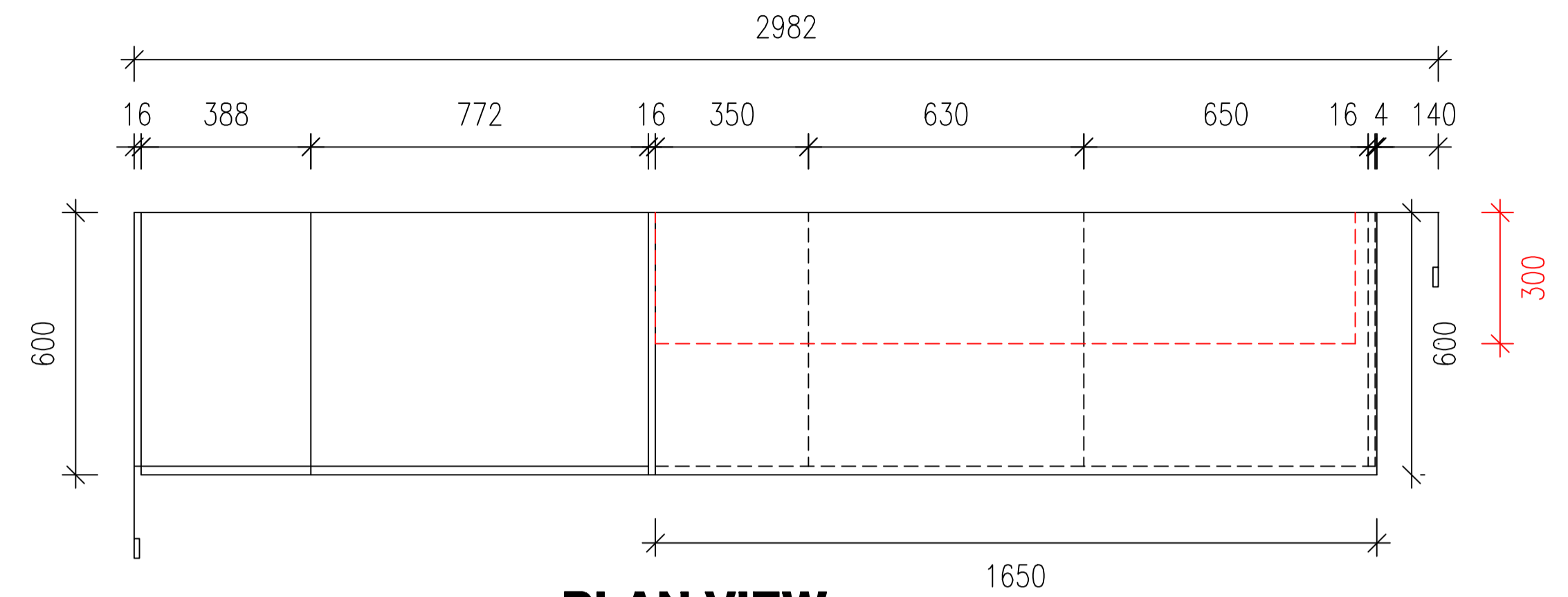


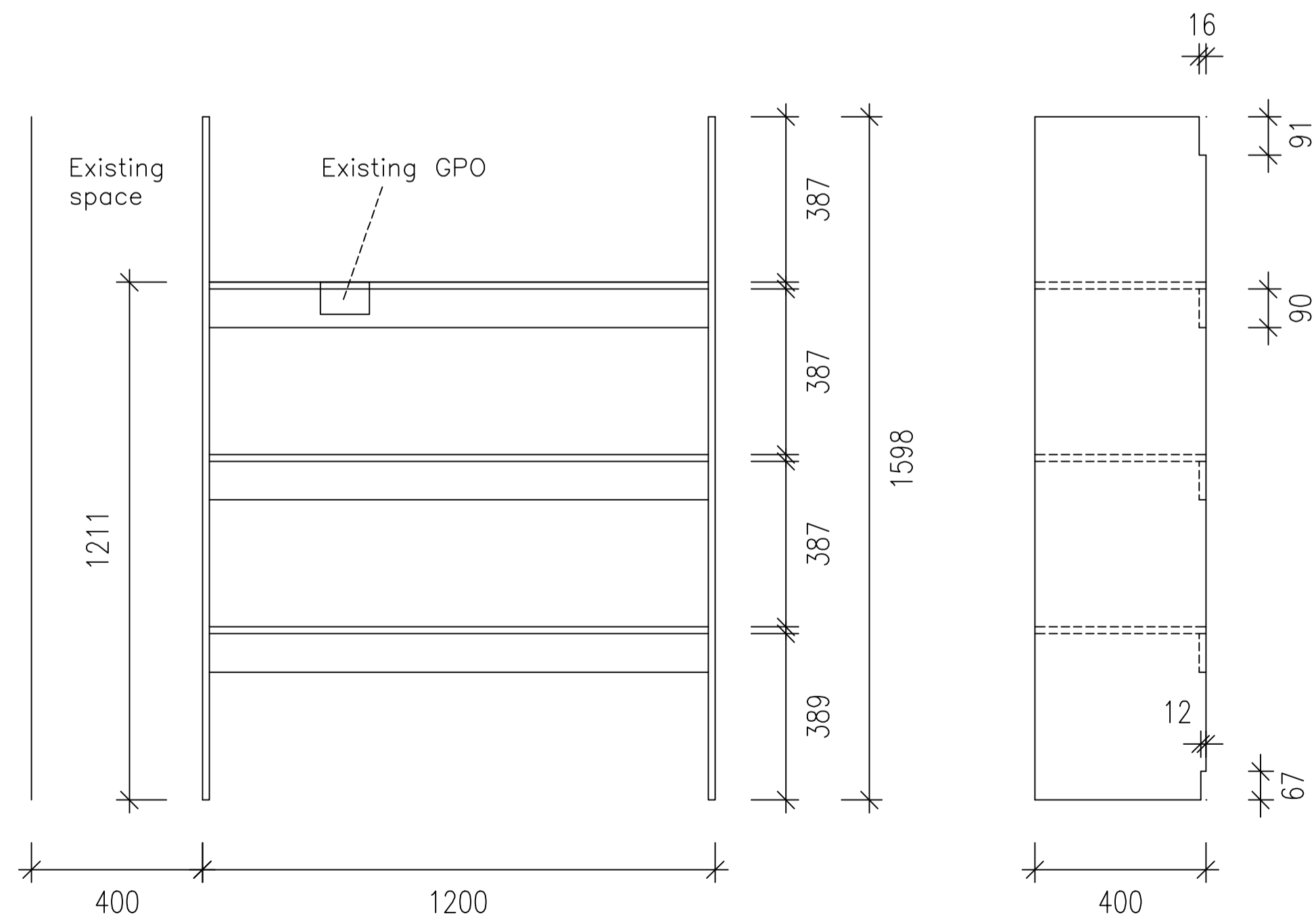
ELEVATION



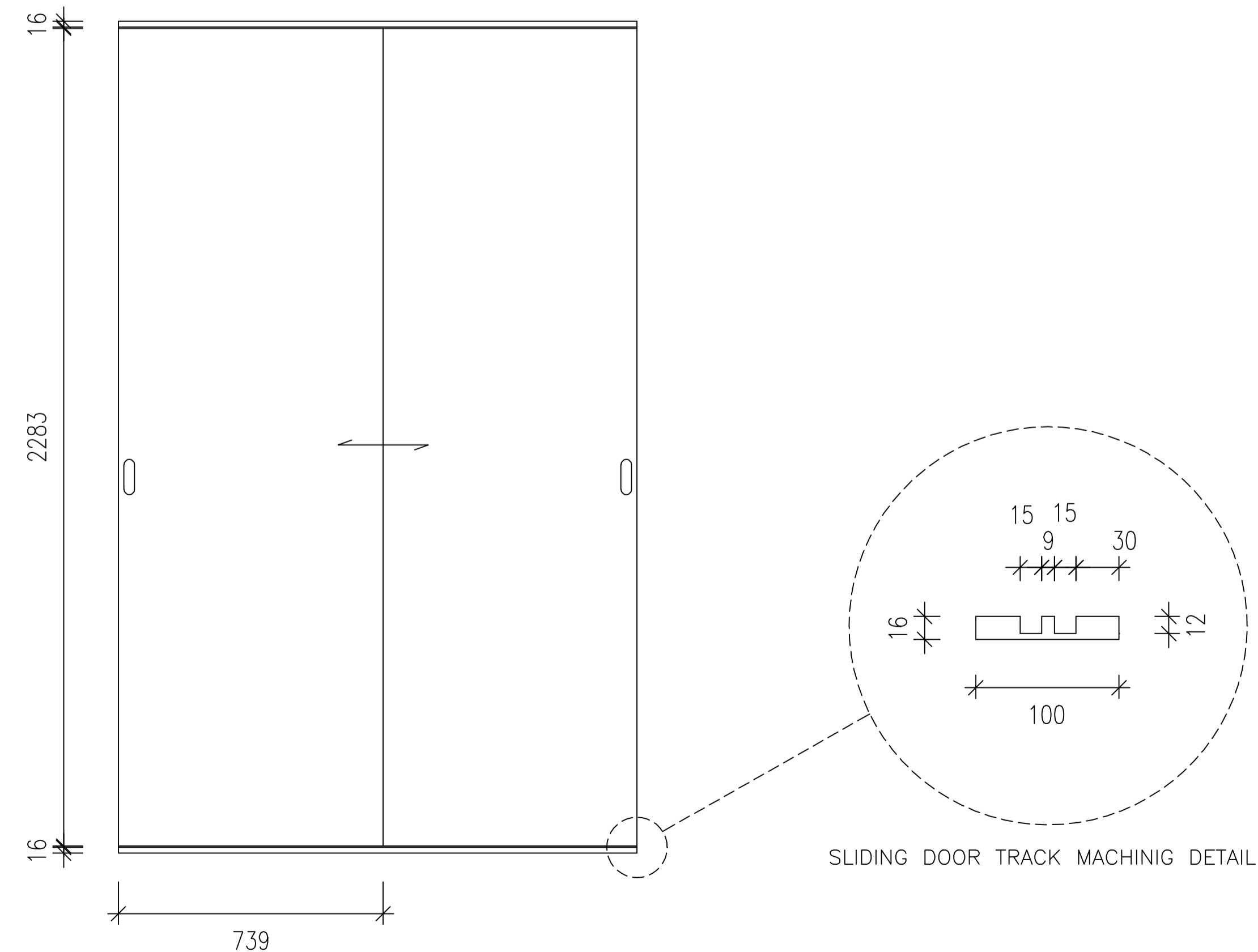
PLAN VIEW

FINISHES

- L1 33mm TIGHTFORM LAMINATED BENCHTOP AND SHELVES
 FISHED IN WILSONART LANDMARKWOOD SOFTGRAIN
- L2 16mm TIMBERWOOD SELECTZ CLASSIC WHITE COLOUR
 BOARD WITH 1mm MATCHING ABS EDGING



16mm MELAMINE STORAGE SHELVING



16mm CLASSIC WHITE STORAGE SLIDING DOORS

JO'S MAKEOVERS



PROJECT: 22 DELGANY RISE
LANGWARRIN

Drawing Title : LAUNDRY
 Date: 16/02/2026
 Drawing No. A1
 Revision : C
 Drawn: AC

PLANS INSPECTED AND APPROVED FOR CONSTRUCTION
 NAME _____
 SIGNED _____
 DATED / /